



T8301-T8311 Toyota Tundra Ball Joint Replacement Instructions

Read and understand all instructions and warnings prior to installation of product and operation of vehicle.

Zone Offroad Products recommends this system be installed by a professional technician. In addition to these instructions, professional knowledge of disassembly/ reassembly procedures and post installation checks must be known.

Difficulty Level

easy 1 2 **3** 4 5 difficult

Estimated installation: hours

Special Tools Required

Ball Joint Press

Tire/Wheel Fitment

N/A

T8301 - T8311 Kit Contents

Qty Part

T8301 - Tundra Ball Joint

1 Ball Joint - Toyota Tundra

T8311 - Tundra Ball Joint Master Kit

1 Ball Joint - Toyota Tundra

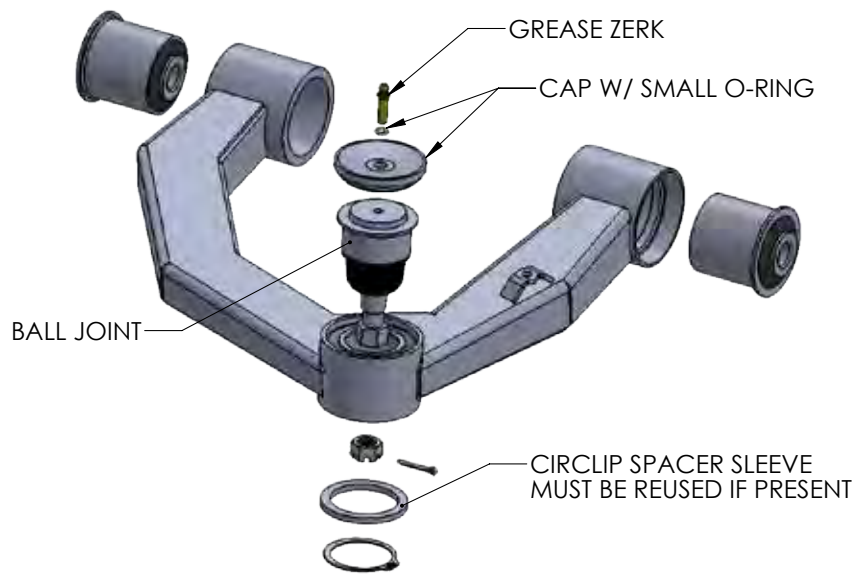
1 Anodized Cap

1 O-Ring

1 Grease Fitting

INSTALLATION INSTRUCTIONS

1. Park vehicle on a clean, flat, and level surface. Block the wheels for safety.
2. Raise front of vehicle, and support frame rails with jack stands. Remove front wheels.
3. Disconnect the upper ball joint from steering knuckle. Do not allow the brake line or ABS line to hold the knuckle up in place. Strap knuckle in place if necessary.
4. Remove the grease fitting, remove the cap, remove the circlip that retains the ball joint. Use a ball joint press, remove the ball joint from arm.
5. Install new ball joint with ball joint press. Reinstall cap and grease fitting, also install the circlip with the spacer washer below circlip - if present during disassembly.
6. Reattach to steering knuckle, install cotter pin, and torque to factory specifications. Reinstall wheels and lower vehicle to the ground.
7. **GREASE BALL JOINT AT THIS TIME!** Grease again at regular service intervals.



rev122116