



## #F5009 Installation Instructions 2011-2016 Ford Super Duty Rear Sway Bar Links

### **Read and understand all instructions and warnings prior to installation of product and operation of vehicle.**

Zone Offroad Products recommends this system be installed by a professional technician. In addition to these instructions, professional knowledge of disassembly/ reassembly procedures and post installation checks must be known. Minimum tool requirements include the following: Assorted metric and standard wrenches, hammer, hydraulic floor jack and a set of jack stands. See the "Special Tools Required" section for additional tools needed to complete this installation properly and safely.

#### » **PRODUCT SAFETY WARNING**

Certain Zone Suspension Products are intended to improve off-road performance. Modifying your vehicle for off-road use may result in the vehicle handling differently than a factory equipped vehicle. Extreme care must be used to prevent loss of control or vehicle rollover. Failure to drive your modified vehicle safely may result in serious injury or death. Zone Offroad Products does not recommend the combined use of suspension lifts, body lifts, or other lifting devices.

You should never operate your modified vehicle under the influence of alcohol or drugs. Always drive your modified vehicle at reduced speeds to ensure your ability to control your vehicle under all driving conditions. Always wear your seat belt.

#### » **TECHNICAL SUPPORT**

[www.zoneoffroad.com](http://www.zoneoffroad.com) may have additional information about this product including the latest instructions, videos, photos, etc.

Send an e-mail to [tech-zone@sporttruckusainc.com](mailto:tech-zone@sporttruckusainc.com) detailing your issue for a quick response.

**888.998.ZONE** Call to speak directly with Zone tech support.

#### **Difficulty Level**

easy ① 2 3 4 5 difficult

Estimated installation: .5 hours

#### **Special Tools Required**

Hand tools

#### » **PRE-INSTALLATION NOTES**

1. Special literature required: OE Service Manual for model/year of vehicle. Refer to manual for proper disassembly/reassembly procedures of OE and related components.
2. Adhere to recommendations when replacement fasteners, retainers and keepers are called out in the OE manual.
3. Larger rim and tire combinations may increase leverage on suspension, steering, and related components. When selecting combinations larger than OE, consider the additional stress you could be inducing on the OE and related components.
4. Post suspension system vehicles may experience drive line vibrations. Angles may require tuning, slider on shaft may require replacement, shafts may need to be lengthened or trued, and U-joints may need to be replaced.
5. Secure and properly block vehicle prior to installation of Zone Offroad Products. Always wear safety glasses when using power tools.
6. If installation is to be performed without a hoist, Zone Offroad Products recommends rear alterations first.
7. Due to payload options and initial ride height variances, the amount of lift is a base figure. Final ride height dimensions may vary in accordance to original vehicle attitude. Always measure the attitude prior to beginning installation.

rev032618

## Kit Contents

Qty	Part
2	Sway Bar Links
1	Sway Bar Link Bolt Pack
4	Hourglass Bushings
4	Sleeves

## » INSTALLATION INSTRUCTIONS

1. Disconnect the sway bar links from frame and sway bar. Discard the sway bar links and hardware, they will not be reused. **Figure 1**

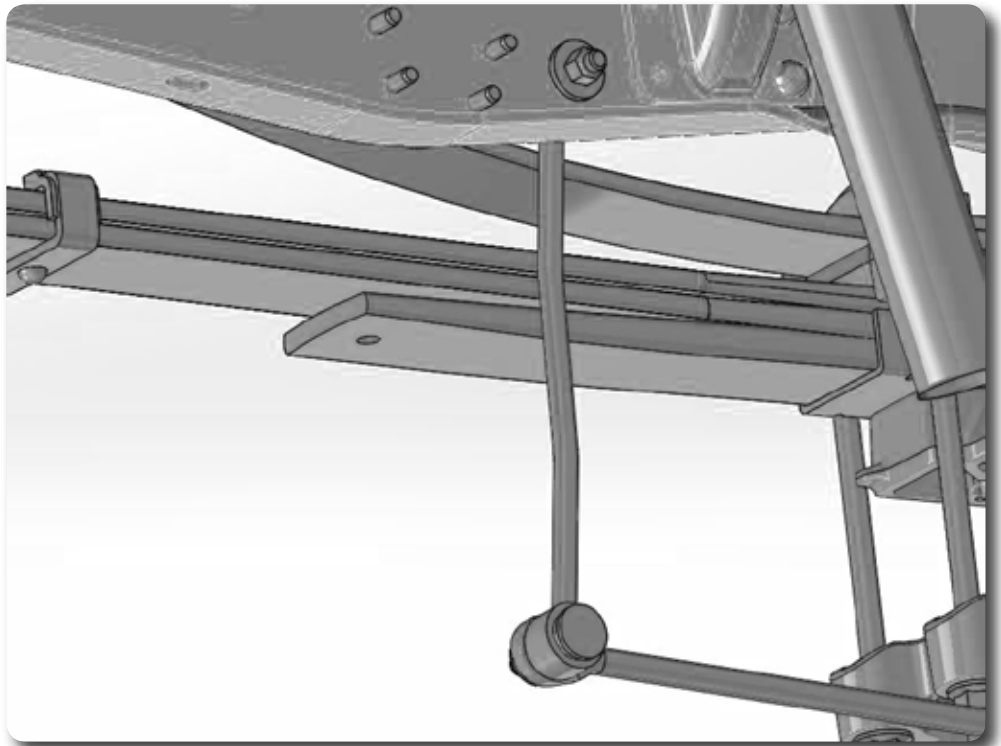


Figure 1

### Step 23 Note:

The 12mm hardware is located in Bolt Pack 404.

2. Lightly grease and install bushings and sleeves into the new sway bar links.
3. Install the sway bar links with new 12mm hardware in the factory frame mount and sway bar. The sway bar link will offset towards the outside of the frame, the same as the factory sway bar link.
4. Tighten 12mm hardware to 55 ft-lbs.
5. Check all fasteners after 500 miles.