

INSTALLATION INSTRUCTIONS

PRODUCT DESCRIPTION



APPLICATION:

Chevrolet/GMC Silverado/Sierra 2500/3500 Crew Cab (8' Bed)
2020

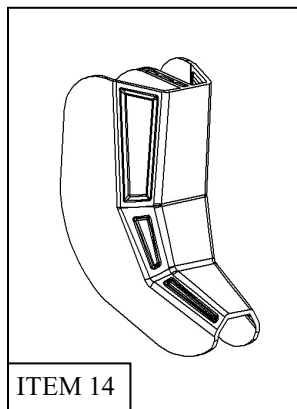
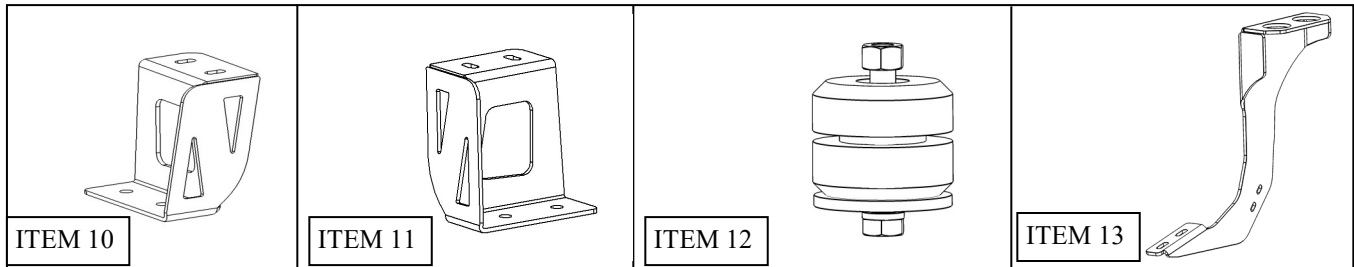
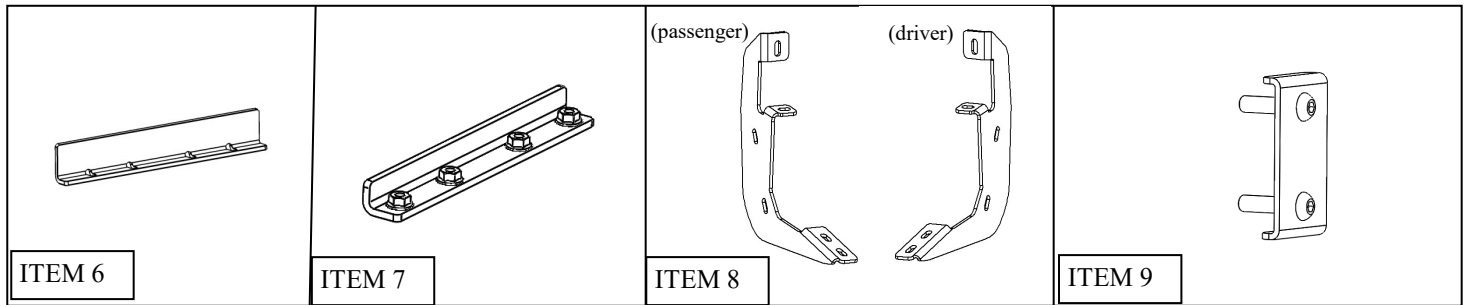
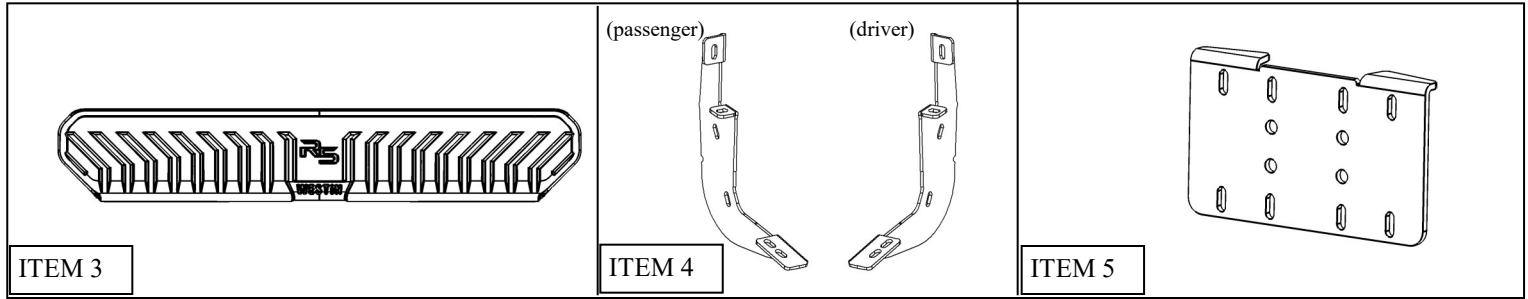
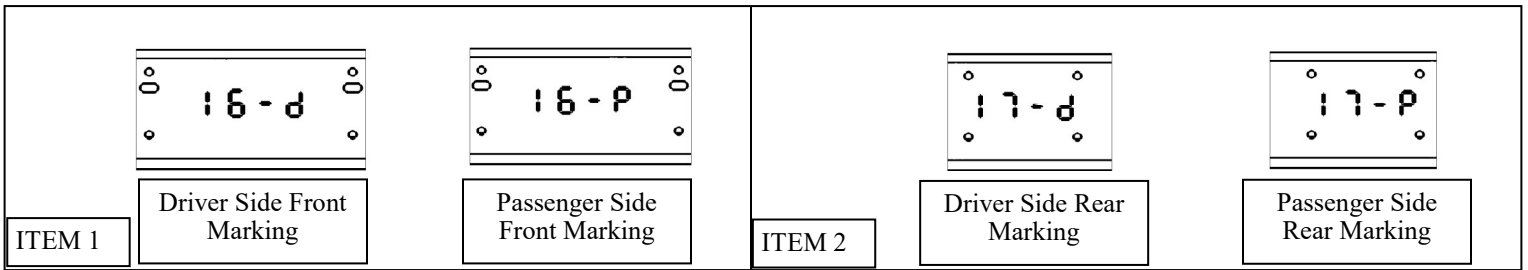
PART NUMBER:

28-5234770, 28-5234775

CONTENT

ITEM	QUANTITY	DESCRIPTION	TOOLS NEEDED
1	2	STEP BAR ASSEMBLY FRONT SECTION (1 DRIVER, 1 PASSENGER)	16MM SOCKET
2	2	STEP BAR ASSEMBLY REAR SECTION (1 DRIVER, 1 PASSENGER)	16MM WRENCH
3	2	STEP PAD	13MM SOCKET
4	2	LINK BRACKET (1 DRIVER, 1 PASSENGER)	13MM WRENCH
5	2	LINK PLATE	10MM SOCKET
6	2	TALL REINFORCEMENT LINK	10MM WRENCH
7	2	SHORT REINFORCEMENT LINK	15MM SOCKET
8	6	MOUNTING BRACKET (3 DRIVER, 3 PASSENGER)	1/2" EXTENSION
9	8	PLATE ADAPTER	RATCHET
10	1	TOP ISOLATOR BRACKET (DRIVER)	TORQUE WRENCH
11	1	TOP ISOLATOR BRACKET (PASSENGER)	IMPACT GUN
12	4	ISOLATOR KIT	BREAKER BAR
13	2	BOTTOM ISOLATOR BRACKET (1 DRIVER, 1 PASSENGER)	
14	10	PLASTIC BRACKET COVER	
15	16	M8 HEX NUT (BLACK ZINC)	
16	32	M8 SPLIT LOCK WASHER (BLACK ZINC)	
17	32	M8 FLAT WASHER (BLACK ZINC)	
18	16	M8 HEX HEAD CAP SCREW (BLACK ZINC)	
19	20	M6 HEX HEAD CAP SCREW (YELLOW ZINC)	
20	40	M6 FLAT WASHER (YELLOW ZINC)	
21	20	M6 NYLOCK NUT (YELLOW ZINC)	
22	4	M12 HEX HEAD BOLT (YELLOW ZINC)	
23	4	M12 SPLIT LOCK WASHER (YELLOW ZINC)	
24	4	M10 FLANGED HEX HEAD BOLT (BLACK ZINC)	
25	12	M6 HEX HEAD CAP SCREW (BLACK ZINC)	
26	12	M6 SPLIT LOCK WASHER (BLACK ZINC)	
27	12	M6 FLAT WASHER (BLACK ZINC)	

ANTI-SEIZE LUBRICANT MUST BE USED ON ALL STAINLESS STEEL FASTENERS TO PREVENT THREAD DAMAGE AND GALLING



PROCEDURE

1. Remove contents from box, verify if all parts listed are present and free from damage.
Carefully read and understand all instructions before attempting installation.
Failure to identify damage before installation could lead to a rejection of any claim.
2. Starting on the driver side, remove the rubber plugs located on the rocker panel at each mounting location. See **Figure 1**.
3. **For models with threaded holes:** At each bracket mounting location on the rocker panel there should be a welded factory nut.



Figure 1

4. Locate (1) Mounting Bracket (Item 8) and loosely secure it to the rocker panel using the provided hardware: (2) M8 hex head bolt, (2) M8 flat washer, and (2) M8 lock washer. See **Figure 3**
5. Repeat **Step 4** for all remaining bracket mounting locations. See **Figure 17**.
6. Install link brackets **Item 4** on third mounting location. See **Figure 2**. (Passenger side is mirror opposite of image shown on Page 2)

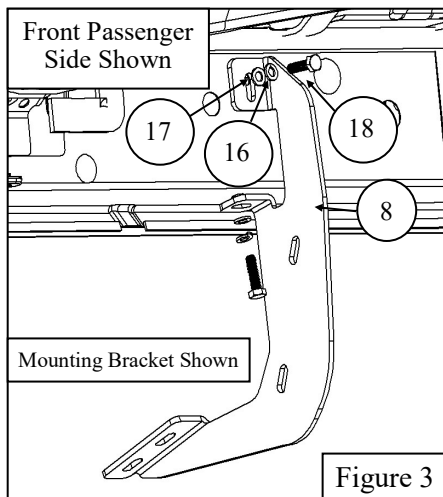
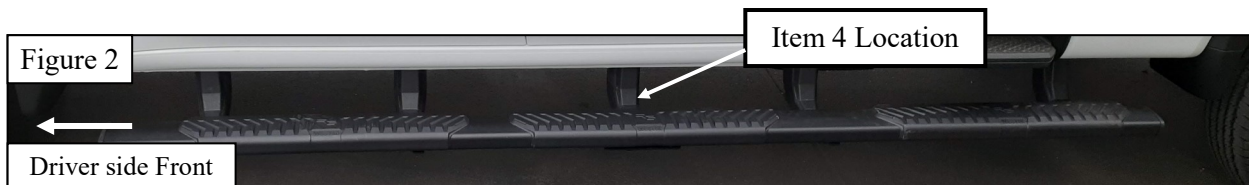


Figure 3

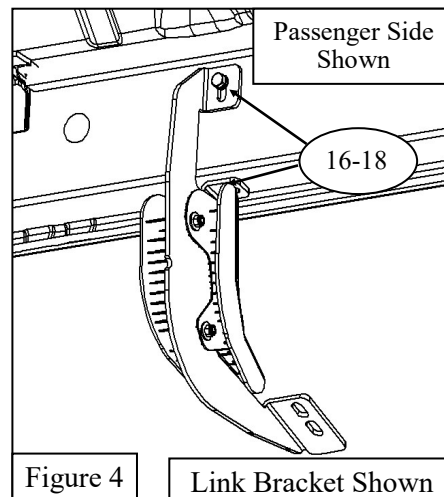


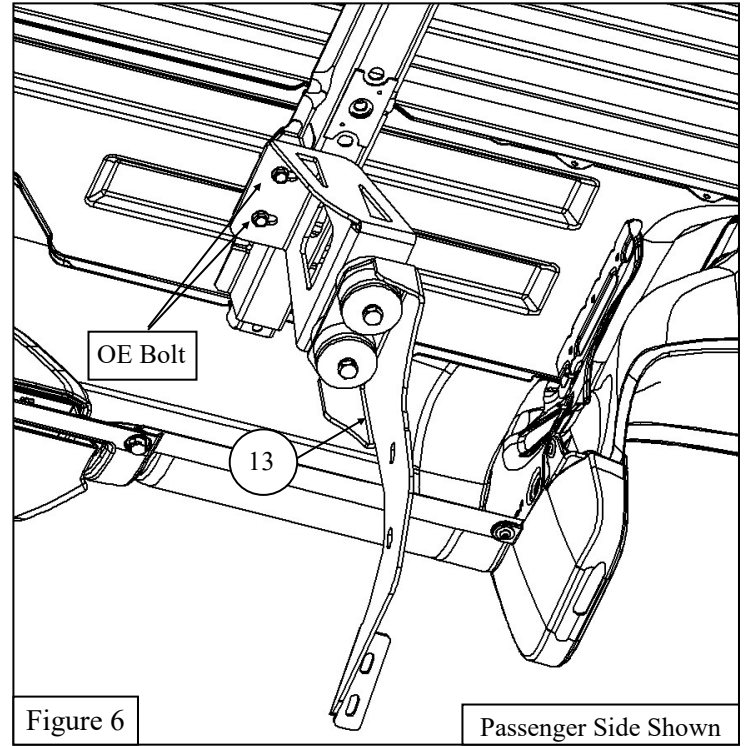
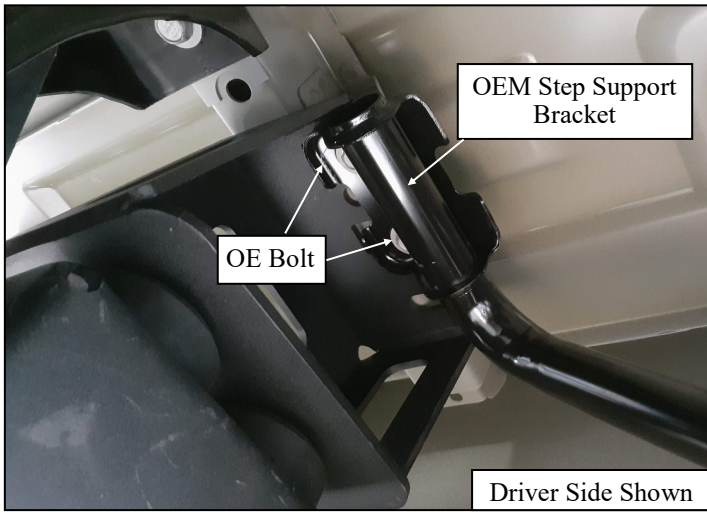
Figure 4

WESTIN

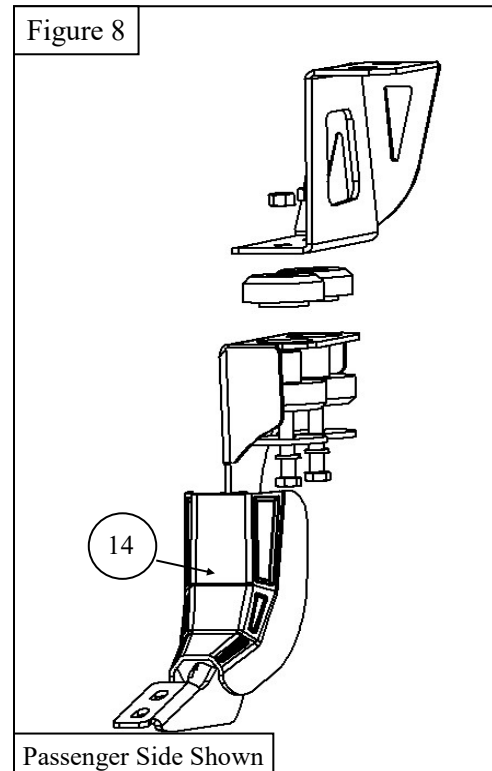
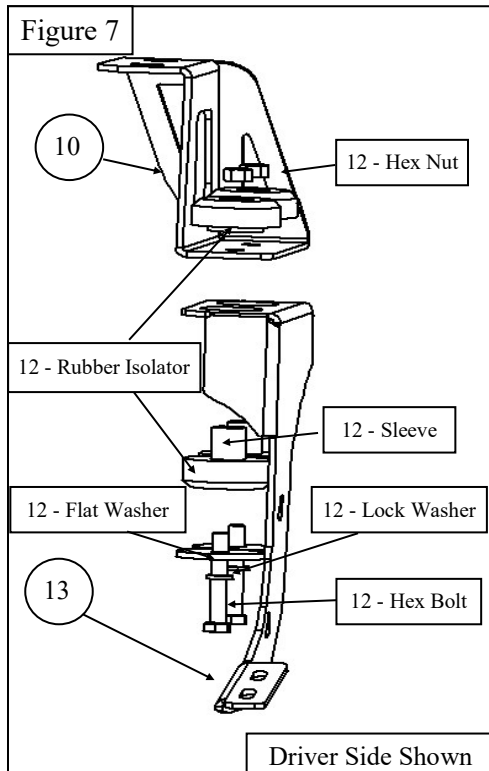
Westin Automotive Products, Inc.
320 W. Covina Blvd
San Dimas, Ca. 91773

Thank you for choosing Westin products
for additional installation assistance please call
Customer Service (800) 793-7846

6. Remove the OEM Bed bolts of the OEM step support bracket and these bolts will be used on the top Isolator Bracket (Item 11). Then install the Top Isolator Bracket (Item 11) using the OEM bolts. See **Figures 5 & 6**. Use **Item 10** for driver side. See **Figure 7**.
7. **Note:** The Top Isolator Bracket is placed in between the bed and the OEM step support bracket. See **Figure 5**.



7. Attach the Bottom Isolator Bracket (13) to the Top Isolator Bracket (10,11) using the Isolator Kit (12) and hardware. See **Figure 7 & 8**.

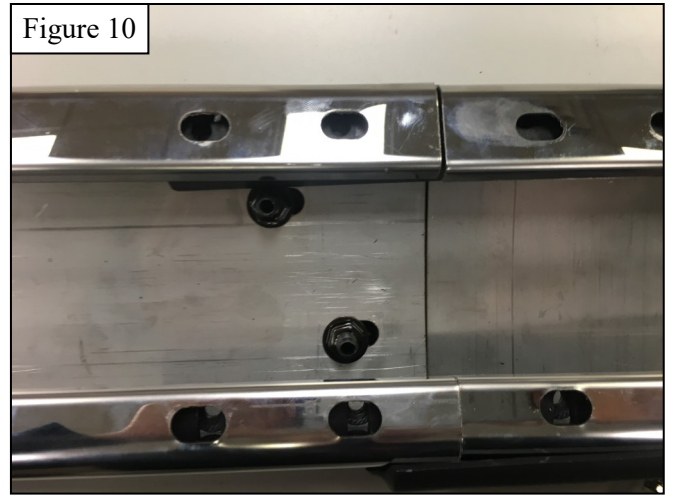


8. Place the supplied step pad (3) into the holes to connect the two Step Bar sections (1 & 2). Place the supplied thread cutting nut on each of the plastic stems. Tighten until nut reaches metal and feels firm in place. See Figures 9 & 10.

Figure 9



Figure 10



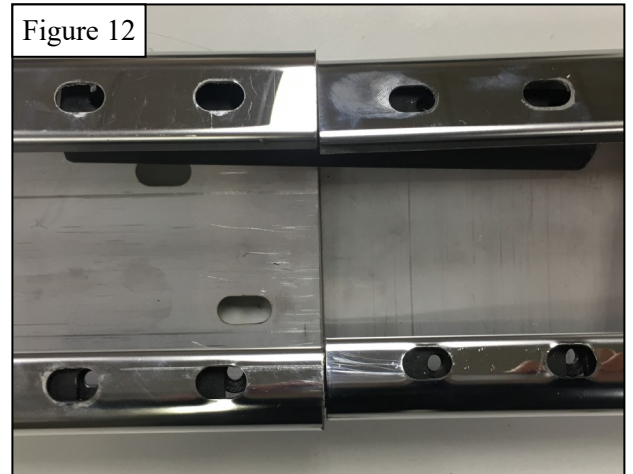
9. Obtain both sections of the Step Bar Assembly (1 & 2). Slide the Reinforcement Links (6 & 7) into both sides of the step bar sections. See Figure 11.

10. Line up the holes on the Step Bar sections with the holes on the Reinforcement Links (6 & 7). See Figure 12.

Figure 11



Figure 12



11. Obtain the Link Plate (5) and secure it to the Step Bar Assembly (1 & 2) using the supplied black M6 Hardware. See **Figure 13**. *Note:* Driver side shown.

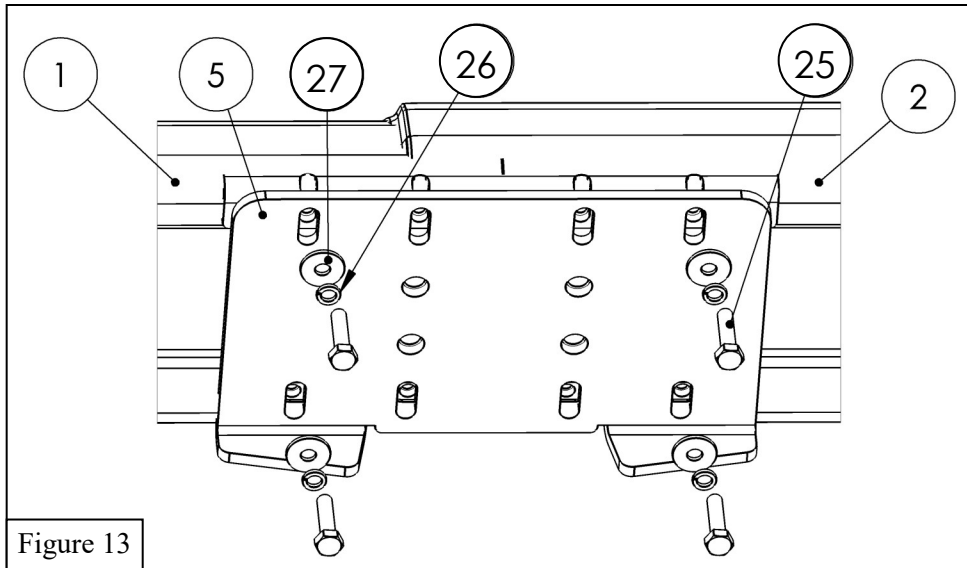


Figure 13

12. Installation of the step boards will utilize the supplied black M8 hardware with Plate Adapters (9) for all brackets excluding the Link Brackets (4). The Link Brackets (4) will use the supplied black M10 hardware. See **Figures 13 & 15**.
13. Align and adjust the step bars and brackets as needed, then fully tighten all hardware: M6 to 7 ft-lbs, M8 to 15-18 ft-lbs, M10 to 32-38 ft-lbs.

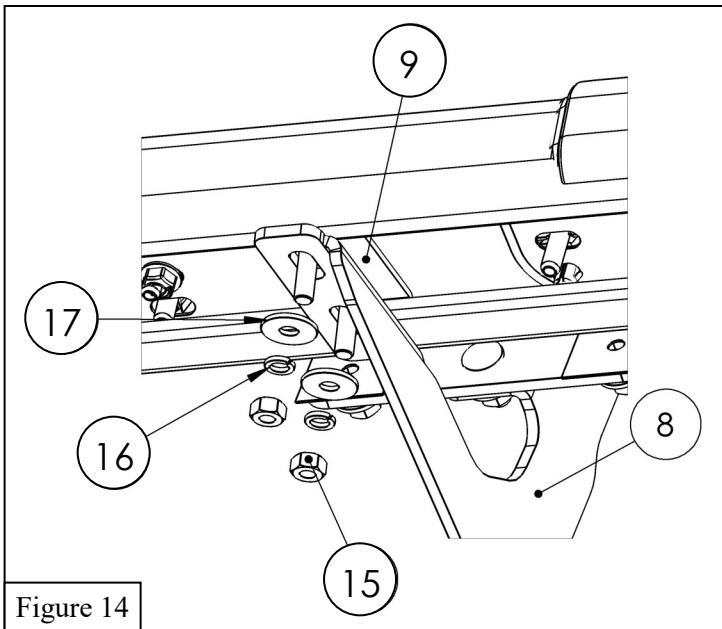


Figure 14

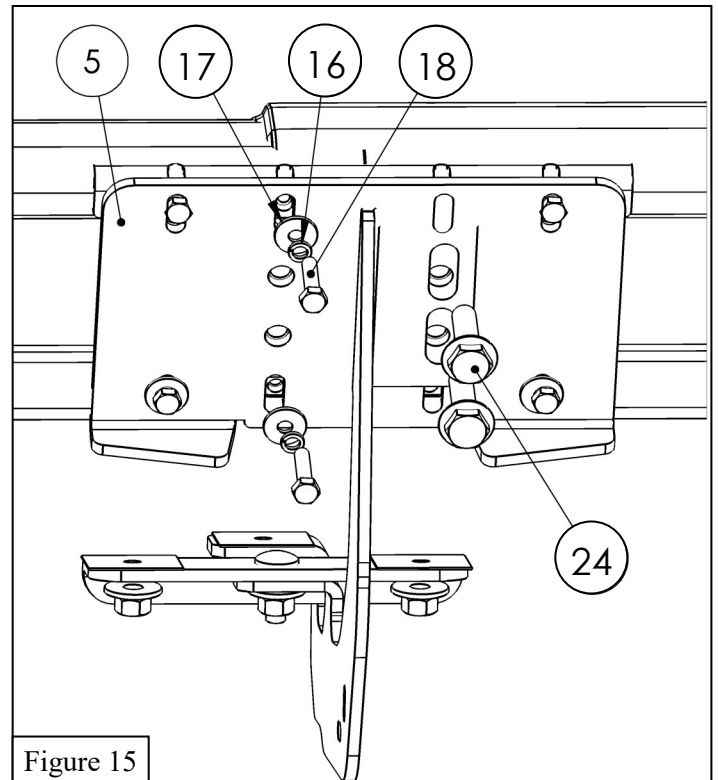


Figure 15

14. Secure the Plastic Bracket Covers (4) to the Mounting Brackets using the supplied M6 Hardware. See **Figure 16**.
15. Align and adjust the step bars as needed and fully tighten all hardware. Torque all M6 fasteners to 5-7 ft-lbs and all M8 fasteners to 15-18 ft-lbs.

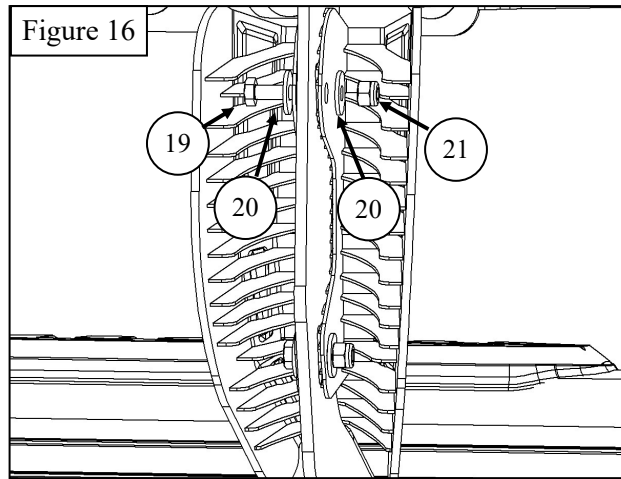
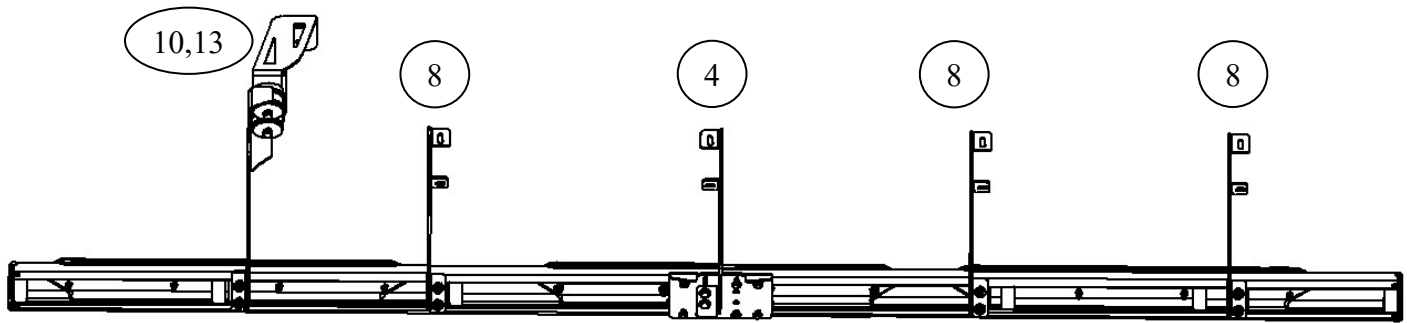
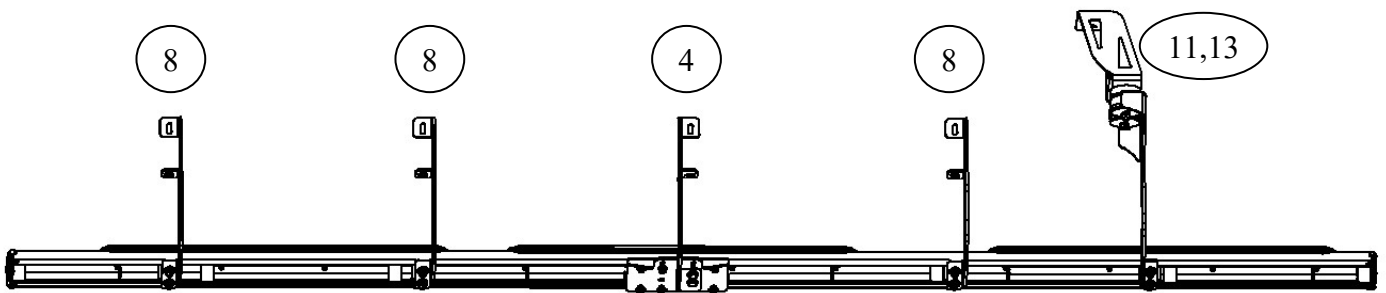


Figure 17



Driver Side Shown

Figure 18



Passenger Side Shown

COMPLETE INSTALLATION



CARE INSTRUCTIONS

- REGULAR WAXING IS RECOMMENDED. DO NOT USE ANY TYPE OF POLISH OR WAX THAT MAY CONTAIN ABRASIVES.
- STAINLESS STEEL PRODUCTS CAN BE CLEANED WITH MILD SOAP AND WATER. STAINLESS STEEL POLISH SHOULD BE USED TO POLISH SMALL SCRATCHES.
- GLOSS BLACK FINISHES SHOULD BE CLEANED WITH MILD SOAP AND WATER.

WESTIN Westin Automotive Products, Inc.
320 W. Covina Blvd
San Dimas, Ca. 91773

P.N.: 75-2853477-RevA

ECO #: W20-0041

8

Thank you for choosing Westin products
for additional installation assistance please call
Customer Service (800) 793-7846

www.westinautomotive.com

DATE: 09/21/20



WARNING



Failure to follow these instructions could lead to death, personal injury, and / or property damage.

Failure to follow these instructions could lead to death, personal injury, and / or property damage.

FASTENERS:

All Westin supplied fasteners must be utilized and installed in accordance with the installation instructions and apply torque to the specifications as defined. **DOUBLE CHECK ALL FASTENERS BEFORE INITIAL USE, AND PERIODICALLY IN THE FUTURE TO ENSURE PROPER FUNCTION AND SAFETY.**

DRILLING:

Most Westin products do not require drilling for installation. If drilling is defined as required, use caution when drilling a vehicle. **FAILURE TO REVIEW AN AREA TO BE DRILLED MAY RESULT IN PERSONAL INJURY AND/OR INJURY TO OTHERS AS WELL AS VEHICLE DAMAGE.**

EYE PROTECTION:

ALWAYS WEAR SAFETY GLASSES OR GOGGLES DURING THE INSTALLATION PROCESS TO AVOID PERSONAL INJURY.

MAXIMUM TOWING/CARRYING CAPACITY: (if applicable)

The Westin Receiver Hitches will have a visible tow rating label affixed directly on the product. User should never exceed the vehicle manufacturers maximum tow and weight rating regardless of the capacity of the hitch. **FAILURE TO FOLLOW THESE GUIDELINES WILL VOID THE WESTIN WARRANTY AND MAY RESULT IN PERSONAL INJURY AND/OR INJURY TO OTHERS AS WELL AS VEHICLE DAMAGE.**

FOR CALIFORNIA RESIDENTS ONLY-PROP 65 WARNING:

Some products may contain chemicals such as DEHP, which can cause cancer, birth defects or other reproductive harm. For more info go to www.p65warnings.ca.gov



Westin Automotive Products, Inc.
320 W. Covina Blvd
San Dimas, Ca. 91773