

INSTALLATION INSTRUCTIONS

R5 NERF STEP BARS

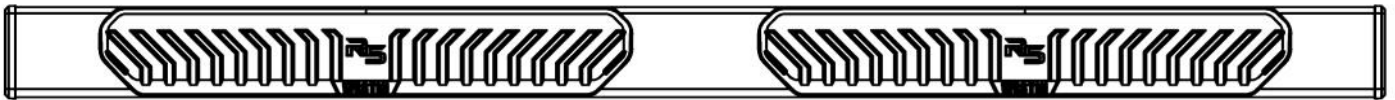


APPLICATION:
2024 TACOMA DOUBLE CAB

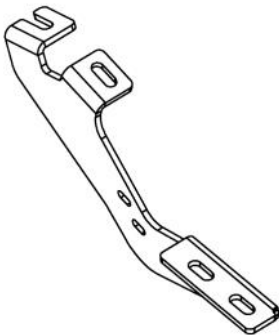
PART NUMBER:
28-52785

CONTENT			
ITEM	QUANTITY	DESCRIPTION	TOOLS NEEDED
1	1	DRIVER SIDE STEP BAR	RATCHET
2	1	PASSENGER SIDE STEP BAR	13MM SOCKET
3	1	DRIVER MOUNT BRACKET 'A'	10MM SOCKET
4	1	PASSENGER MOUNT BRACKET 'A'	10MM WRENCH
5	2	DRIVER MOUNT BRACKET 'B'	TORQUE WRENCH
6	2	PASSENGER MOUNT BRACKET 'B'	
7	6	BRACKET COVER	
8	12	M8 HEX HEAD CAP SCREW	
9	12	M8 SQUARE HEAD BOLT	
10	24	M8 SPLIT LOCK WASHER	
11	24	M8 FLAT WASHER	
12	12	M8 HEX NUT	
13	12	M6 HEX HEAD CAP SCREW	
14	24	M6 FLAT WASHER	
15	12	M6 NYLON LOCK NUT	

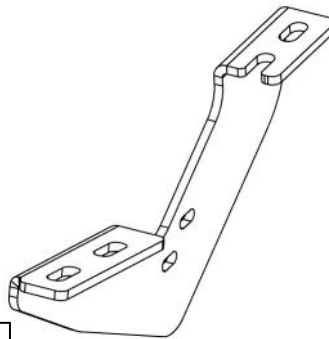
ANTI-SEIZE LUBRICANT MUST BE USED ON ALL STAINLESS STEEL FASTENERS TO PREVENT THREAD DAMAGE AND GALLING



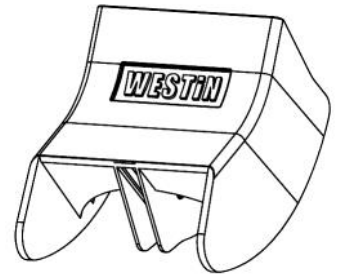
ITEM 1



ITEM 3



ITEM 5



ITEM 7

PROCEDURE

1. Remove contents from box, verify if all parts listed are present and free from damage.
Carefully read and understand all instructions before attempting installation.
Failure to identify damage before installation could lead to a rejection of any claim.

2. Install the Bracket Covers (item 7) onto the mounting brackets (items 3-6) using the M6 hardware (items 13-15).
See **Figure 1**.

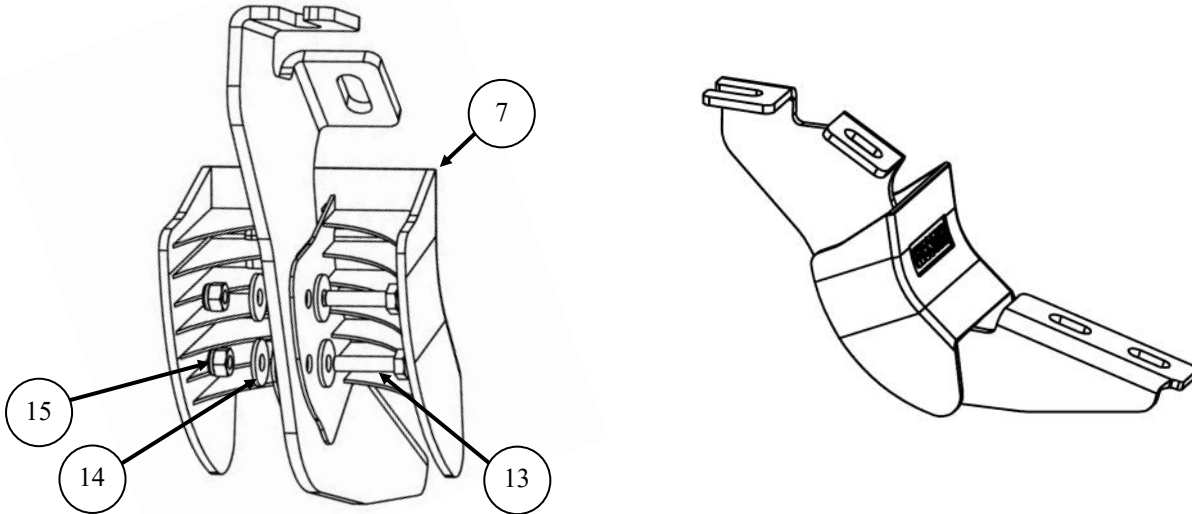


Figure 1

3. Starting with the drivers side, locate and install the Driver Mount Bracket 'A' (item 3) using the M8 hardware (items 8, 10, and 11). See **Figures 2 and 3**.



Figure 2

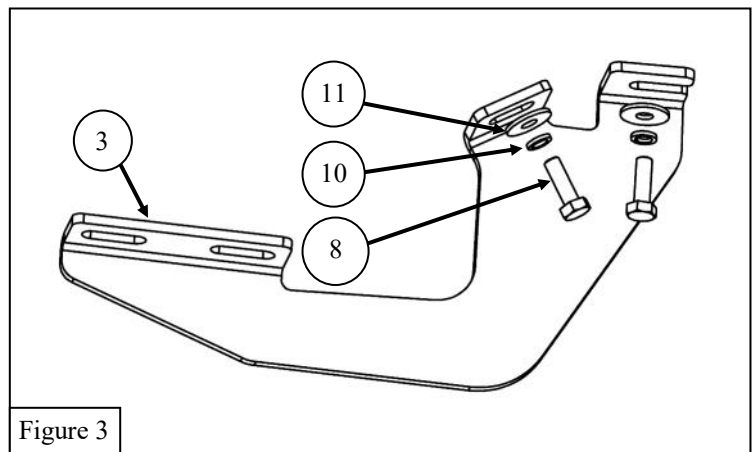


Figure 3

WESTIN

Westin Automotive Products, Inc.
320 W. Covina Blvd
San Dimas, Ca. 91773

4. Locate and install (2) Driver Mount Bracket 'B' (**item 5**) using the M8 hardware (**items 8, 10, and 11**).
See **Figures 4 and 5**.
5. Repeat steps 3 and 4 on the passenger side of the vehicle.

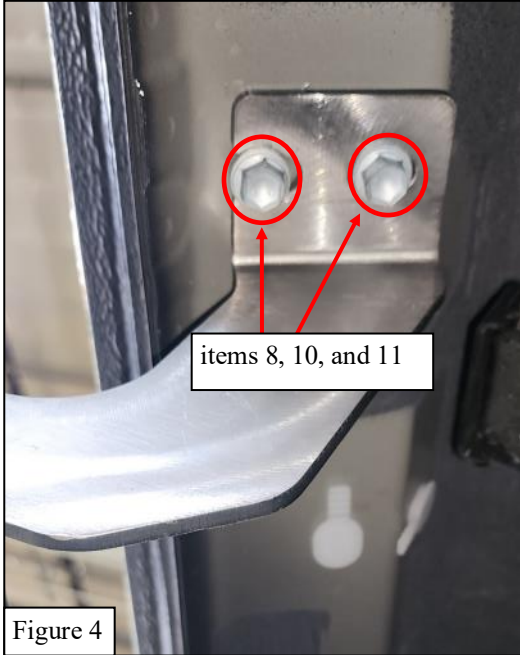


Figure 4

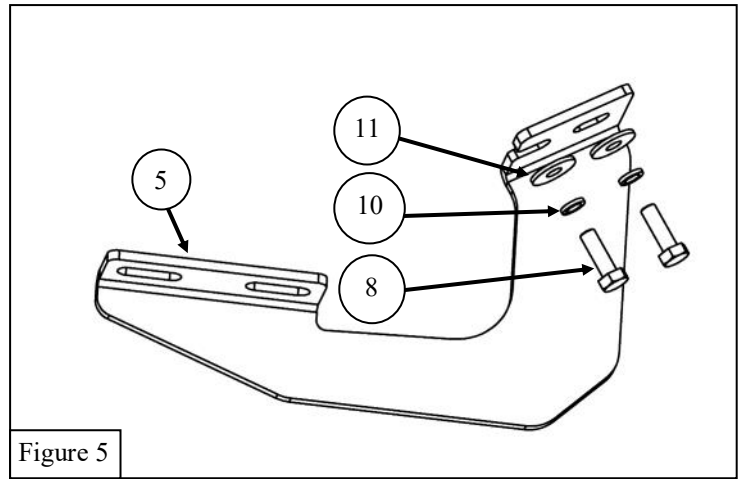


Figure 5

6. Lay the Step Bars (**items 1 and 2**) on top of the brackets.
7. Slide (12) M8 square head bolts (**item 9**) through slots on the bottom of the step bars.
8. Loosely install (12) M8 flat washers (**item 11**), (12) M8 split lock washers (**item 10**), and (12) M8 hex nuts (**item 15**). See **Figure 6**.
9. Align and adjust the step bars, brackets, and bracket covers as needed and fully tighten all hardware.
Torque all M8 fasteners to 15-18 ft-lbs.

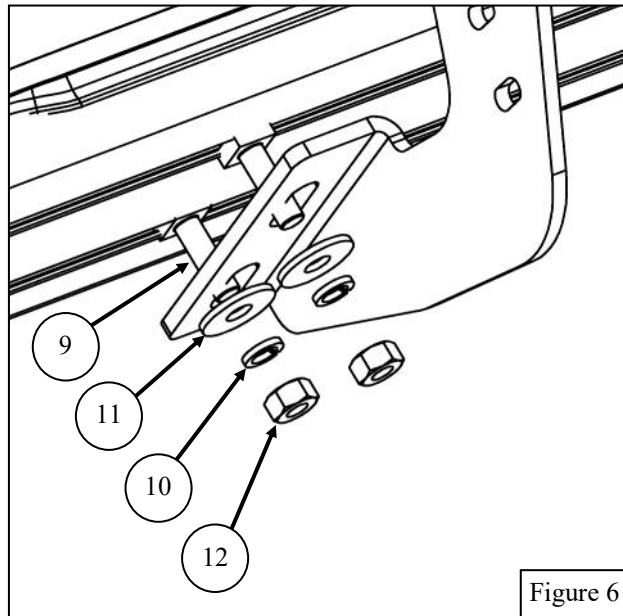


Figure 6

INSTALLATION COMPLETE



CARE INSTRUCTIONS

- REGULAR WAXING IS RECOMMENDED. DO NOT USE ANY TYPE OF POLISH OR WAX THAT MAY CONTAIN ABRASIVES.
- STAINLESS STEEL PRODUCTS CAN BE CLEANED WITH MILD SOAP AND WATER. STAINLESS STEEL POLISH SHOULD BE USED TO POLISH SMALL SCRATCHES.
- GLOSS BLACK FINISHES SHOULD BE CLEANED WITH MILD SOAP AND WATER.

WESTIN

Westin Automotive Products, Inc.
320 W. Covina Blvd
San Dimas, Ca. 91773

Thank you for choosing Westin products
for additional installation assistance please call
Customer Service (800) 793-7846
www.westinautomotive.com



WARNING



Failure to follow these instructions could lead to death, personal injury, and / or property damage.

Failure to follow these instructions could lead to death, personal injury, and / or property damage.

FASTENERS:

All Westin supplied fasteners must be utilized and installed in accordance with the installation instructions and apply torque to the specifications as defined. **DOUBLE CHECK ALL FASTENERS BEFORE INITIAL USE, AND PERIODICALLY IN THE FUTURE TO ENSURE PROPER FUNCTION AND SAFETY.**

DRILLING:

Most Westin products do not require drilling for installation. If drilling is defined as required, use caution when drilling a vehicle. **FAILURE TO REVIEW AN AREA TO BE DRILLED MAY RESULT IN PERSONAL INJURY AND/OR INJURY TO OTHERS AS WELL AS VEHICLE DAMAGE.**

EYE PROTECTION:

ALWAYS WEAR SAFETY GLASSES OR GOGGLES DURING THE INSTALLATION PROCESS TO AVOID PERSONAL INJURY.

MAXIMUM TOWING/CARRYING CAPACITY: (if applicable)

The Westin Receiver Hitches will have a visible tow rating label affixed directly on the product. User should never exceed the vehicle manufacturers maximum tow and weight rating regardless of the capacity of the hitch. **FAILURE TO FOLLOW THESE GUIDELINES WILL VOID THE WESTIN WARRANTY AND MAY RESULT IN PERSONAL INJURY AND/OR INJURY TO OTHERS AS WELL AS VEHICLE DAMAGE.**

FOR CALIFORNIA RESIDENTS ONLY-PROP 65 WARNING:

Some products may contain chemicals such as DEHP, which can cause cancer, birth defects or other reproductive harm. For more info go to www.p65warnings.ca.gov



Westin Automotive Products, Inc.
320 W. Covina Blvd
San Dimas, Ca. 91773

Thank you for choosing Westin products
for additional installation assistance please call
Customer Service (800) 793-7846
www.westinautomotive.com