

# INSTALLATION INSTRUCTIONS

## R5 STEP BOARD

# WESTIN®

### APPLICATION:

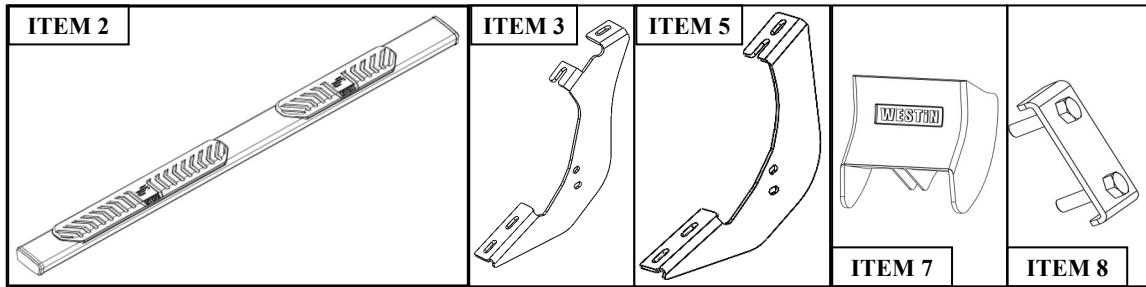
2022 Toyota Tundra Double Cab & Crew Max

### PART NUMBER:

28-51330, 28-51335, 28-51340, 28-51345

ITEM	QUANTITY	DESCRIPTION	TOOLS NEEDED
1,2	2	STEP BOARDS, DRIVER (1) AND PASSENGER (2)	10MM SOCKET
3	1	DRIVER FRONT BRACKET	10MM WRENCH
4	1	PASSENGER FRONT BRACKET	13MM SOCKET
5	2	DRIVER CENTER/REAR MOUNTING BRACKET	13MM WRENCH
6	2	PASSENGER CENTER/REAR MOUNTING BRACKET	RATCHET
7	6	BRACKET COVER	TORQUE WRENCH
8	6	PLATE ADAPTOR (28-51330/28-51340)	
9	12	M8 HEX NUT (BLACK ZINC FOR 28-51330,28-51340;YELLOW ZINC FOR 28-51335, 28-51345)	
10	12	M8 SLPIT LOCK WASHER (BLACK ZINC FOR 28-51330,28-51340;YELLOW ZINC FOR 28-51335, 28-51345)	
11	12	M8 FLAT WASHER (BLACK ZINC FOR 28-51330,28-51340;YELLOW ZINC FOR 28-51335, 28-51345)	
12	12	M8 HEX HEAD BOLT (SEMS HARDWARE)	
13	12	M8 SPLIT LOCK WASHER (SEMS HARDWARE)	
14	12	M8 FLAT WASHER (SEMS HARDWARE)	
15	12	M6 HEX HEAD BOLT (YELLOW ZINC)	
16	24	M6 FLAT WASHER (YELLOW ZINC)	
17	12	M6 NYLOCK NUT (YELLOW ZINC)	

**ANTI-SEIZE LUBRICANT MUST BE USED ON ALL STAINLESS STEEL FASTENERS TO PREVENT THREAD DAMAGE AND GALLING**



### PROCEDURE

- Remove contents from box, verify if all parts listed are present and free from damage. Carefully read and understand all instructions before attempting installation.  
**Failure to identify damage before installation could lead to a rejection of any claim.**
- Start installation on either side of the vehicle. Locate mounting locations with factory threaded holes with bolts installed in them. Remove factory bolts from threaded holes, factory bolts will not be used again. See **Figures 1 & 2**.
- Locate (1) front mounting bracket (Item 3/4) and loosely install it to the front mounting location on the rocker panel using M8 SEMS hardware (Items 12-14). Locate either a driver or passenger center/rear mounting bracket (Items 5/6) and loosely secure on the rocker panel in their correct mounting location. Loosely install using the provided M8 SEMS hardware.

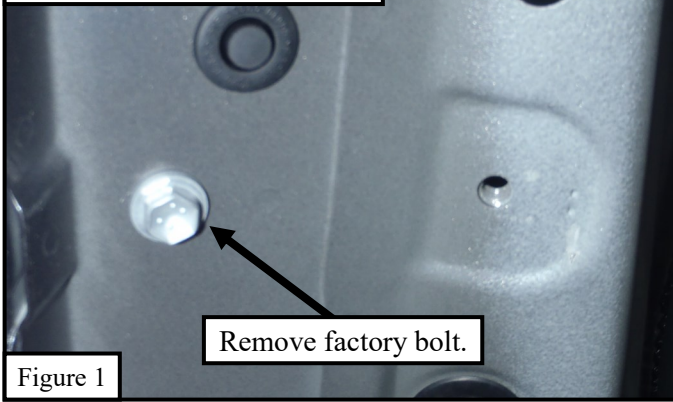
**WESTIN** Westin Automotive Products, Inc.  
320 W. Covina Blvd  
San Dimas, Ca. 91773

Thank you for choosing Westin products  
for additional installation assistance please call  
Customer Service (800) 793-7846

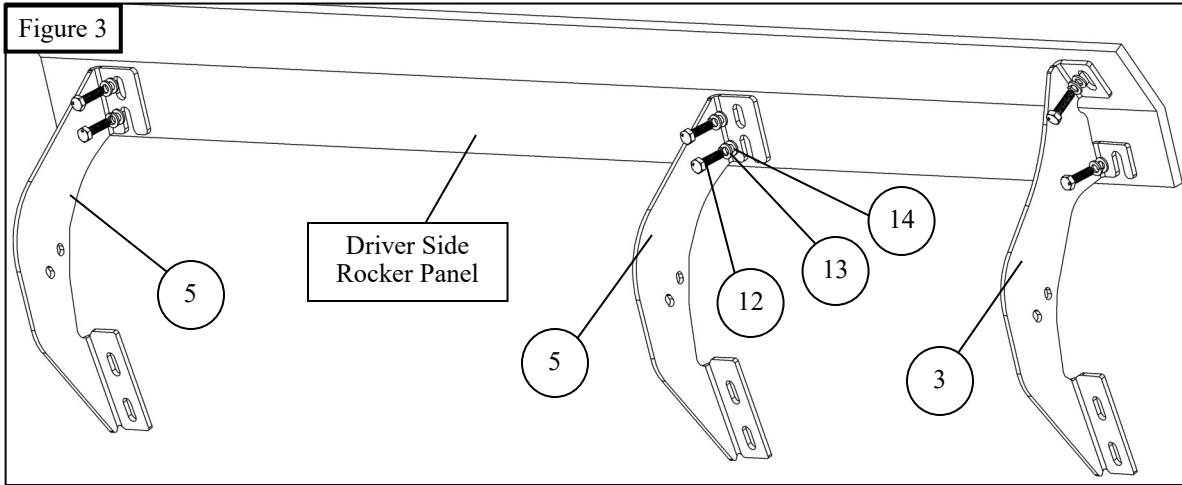
www.westinautomotive.com

DATE: 3/29/2022

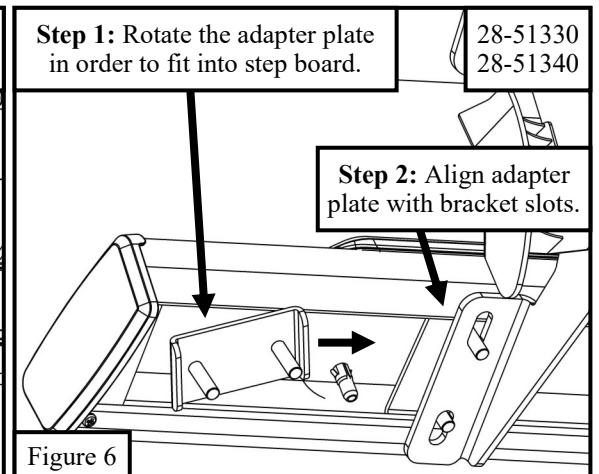
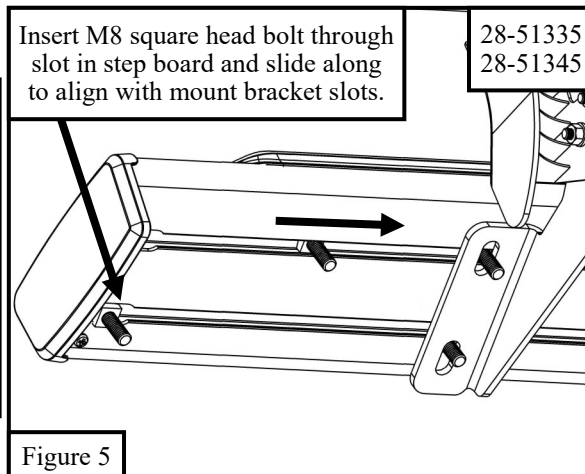
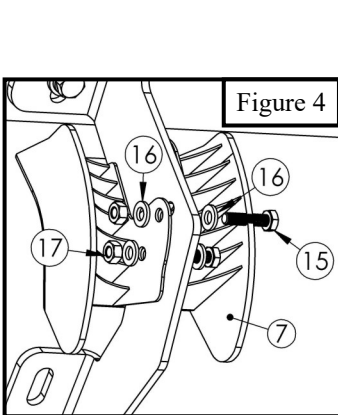
Driver side front rocker panel.



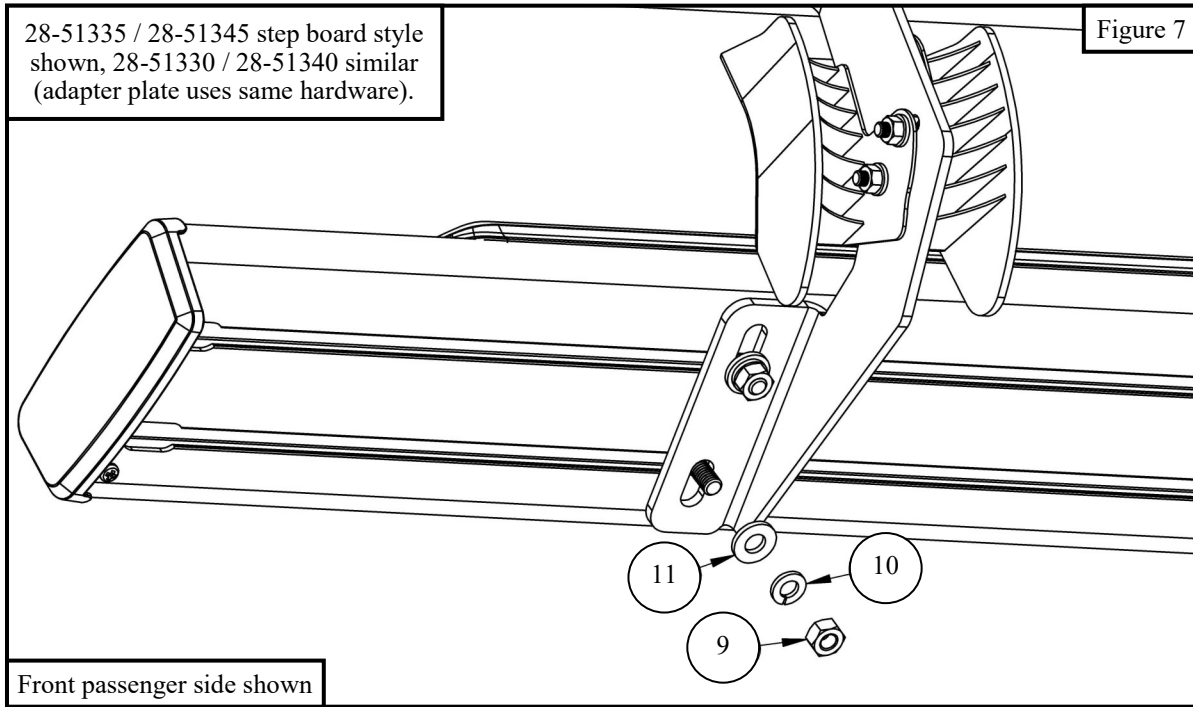
Center bracket rocker panel factory bolts.



4. Repeat **Step 3** for other vehicle side.
5. Locate (1) plastic bracket cover (Item 7) and loosely secure it to the (6) brackets using the provided hardware: (2) M6 hex head cap screws, (4) M6 flat washers, and (2) M6 nylock nuts. Repeat for every bracket. See **Figure 4**.
6. **For Part Numbers 28-51335 and 28-51345:** Locate (1) driver side step board (Item 1) and (6) M8 square head bolts (Item 6). Slide the M8 square head bolts through the slots underneath the step board and align with the previously installed mount brackets. Repeat for passenger side. See **Figure 5**.
7. **For Part Numbers 28-51330 and 28-51340:** Locate (1) driver side step board (Item 1) and (3) adapter plates (Item 8). Insert the adapter plates onto the step board and align with the previously installed mount brackets. Repeat for passenger side. See **Figure 6**.



8. Loosely secure the step board onto each mount bracket using (2) M8 hex nuts, (2) M8 split lock washers, and (2) M8 flat washers (Items 12-14). See **Figure 7**.
9. Adjust and align as necessary the mount brackets, step boards, and bracket covers and then tighten M8 hardware to 15-17 ft-lbs and M6 to 5-7 ft-lbs.



INSTALLATION COMPLETE



**CARE INSTRUCTIONS**

- REGULAR WAXING IS RECOMMENDED. DO NOT USE ANY TYPE OF POLISH OR WAX THAT MAY CONTAIN ABRASIVES.
- STAINLESS STEEL PRODUCTS CAN BE CLEANED WITH MILD SOAP AND WATER. STAINLESS STEEL POLISH SHOULD BE USED TO POLISH SMALL SCRATCHES.
- GLOSS BLACK FINISHES SHOULD BE CLEANED WITH MILD SOAP AND WATER.

**WESTIN** Westin Automotive Products, Inc.  
320 W. Covina Blvd  
San Dimas, Ca. 91773

Thank you for choosing Westin products  
for additional installation assistance please call  
Customer Service (800) 793-7846



## WARNING



Failure to follow these instructions could lead to death, personal injury, and / or property damage.

Failure to follow these instructions could lead to death, personal injury, and / or property damage.

### FASTENERS:

All Westin supplied fasteners must be utilized and installed in accordance with the installation instructions and apply torque to the specifications as defined. **DOUBLE CHECK ALL FASTENERS BEFORE INITIAL USE, AND PERIODICALLY IN THE FUTURE TO ENSURE PROPER FUNCTION AND SAFETY.**

### DRILLING:

Most Westin products do not require drilling for installation. If drilling is defined as required, use caution when drilling a vehicle. **FAILURE TO REVIEW AN AREA TO BE DRILLED MAY RESULT IN PERSONAL INJURY AND/OR INJURY TO OTHERS AS WELL AS VEHICLE DAMAGE.**

### EYE PROTECTION:

**ALWAYS WEAR SAFETY GLASSES OR GOGGLES DURING THE INSTALLATION PROCESS TO AVOID PERSONAL INJURY.**

### MAXIMUM TOWING/CARRYING CAPACITY: (if applicable)

The Westin Receiver Hitches will have a visible tow rating label affixed directly on the product. User should never exceed the vehicle manufacturers maximum tow and weight rating regardless of the capacity of the hitch. **FAILURE TO FOLLOW THESE GUIDELINES WILL VOID THE WESTIN WARRANTY AND MAY RESULT IN PERSONAL INJURY AND/OR INJURY TO OTHERS AS WELL AS VEHICLE DAMAGE.**

### FOR CALIFORNIA RESIDENTS ONLY-PROP 65 WARNING:

Some products may contain chemicals such as DEHP, which can cause cancer, birth defects or other reproductive harm. For more info go to [www.p65warnings.ca.gov](http://www.p65warnings.ca.gov)



Westin Automotive Products, Inc.  
320 W. Covina Blvd  
San Dimas, Ca. 91773