

# INSTALLATION INSTRUCTIONS



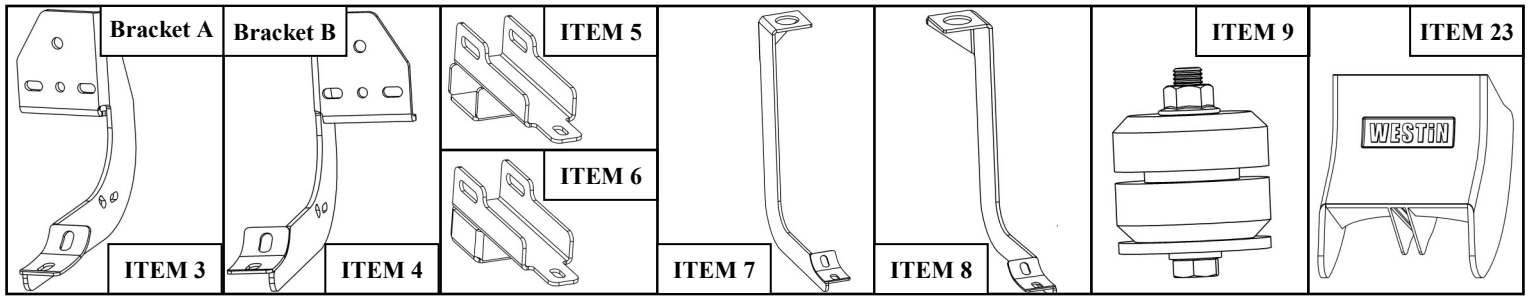
**PROTRAXX 5 WTW**

**APPLICATION: Ram 2500/3500 Crew Cab 2019 (8' Bed) Excl. Dually**

**APPLICATION PART #: 21-534340, 21-534345**

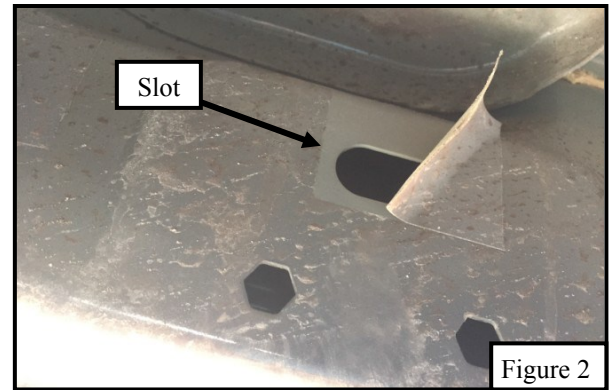
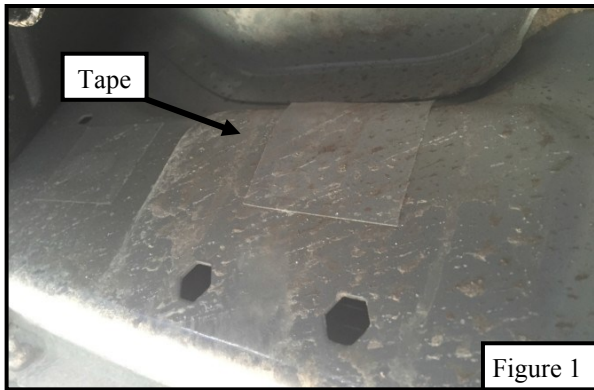
ITEM	QUANTITY	DESCRIPTION	TOOLS NEEDED
1	2	SIDE STEP BARS (DRIVER, PASSENGER)	16MM SOCKET
2	3	BRACKET A	18MM SOCKET
3	3	BRACKET B	18MM WRENCH
4	1	UPPER DRIVER BED MOUNT	ALLEN KEY
5	1	UPPER PASSENGER BED MOUNT	RATCHET
6	1	LOWER DRIVER BED MOUNT	TORQUE WRENCH
7	1	LOWER PASSENGER BED MOUNT	1/2" DRILL BIT
8	2	ISOLATOR KIT	DRILL
9	6	BRACKET COVER	13MM SOCKET
10	10	M10/M8 BOLT/NUT PLATE	
11	12	M8 HEX HEAD CAP SCREW (YELLOW ZINC)	
12	12	M8 SPLIT LOCK WASHER (YELLOW ZINC)	
13	12	M8 FLAT WASHER (YELLOW ZINC)	
14	8	M8 RIV CERTS (YELLOW ZINC)	
15	10	M10 HEX NUT (YELLOW ZINC)	
16	10	M10 SPLIT LOCK WASHER (YELLOW ZINC)	
17	10	M10 FLAT WASHER (YELLOW ZINC)	
18	12	M6 HEX HEAD CAP SCREW (YELLOW ZINC)	
19	24	M6 FLAT WASHER (YELLOW ZINC)	
20	12	M6 NYLON LOCK NUT (YELLOW ZINC)	
21	2	M12 SPLIT LOCK WASHER (YELLOW ZINC)	
22	2	M12 HEX HEAD CAP SCREW (YELLOW ZINC)	
23	16	M10 BUTTON HEAD SCREW (BLACK ZINC)	
24	16	M10 FLAT WASHER (BLACK ZINC)	
25	16	M10 INTERNAL TOOTHED LOCK WASHER (BLACK ZINC)	
26	10	M10 CLEAR PLASTIC RETAINER	
27	4	M10 FISH WIRE	

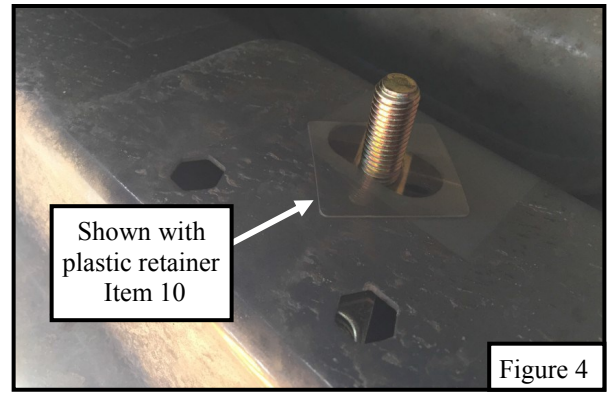
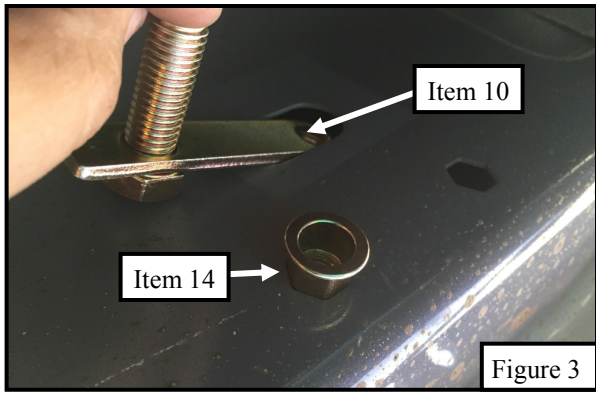
**ANTI-SEIZE LUBRICANT MUST BE USED ON ALL STAINLESS STEEL FASTENERS TO PREVENT THREAD DAMAGE AND GALLING**



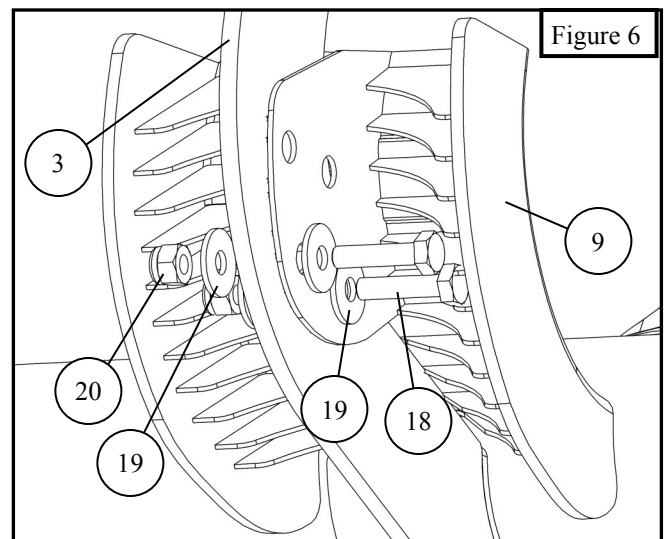
### PROCEDURE

1. Remove contents from box, verify if all parts listed are present and free from damage.  
Carefully read and understand all instructions before attempting installation.  
**Failure to identify damage before installation could lead to a rejection of any claim.**
2. Starting from the drivers side rocker panel, remove the tape that covers the slot, that is located above the 2 hexagon holes. (A total of 3 taped slots per side should be removed). See **Figures 1 & 2**.
3. Place bolt plate onto the slotted hole as well as the M10 hex riv-cert onto the hexagon hole. (Before inserting stud / nut plate onto the slot place a square M10 Plastic Retainer on the stud portion of the plate to prevent the plate from falling in the slot, as shown in picture below). See **Figures 3 & 4**.

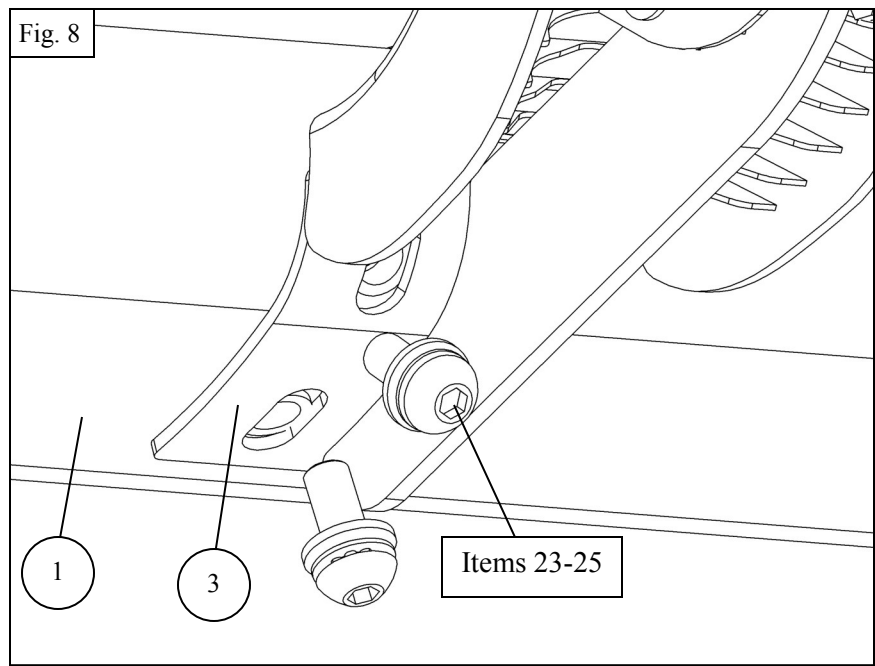
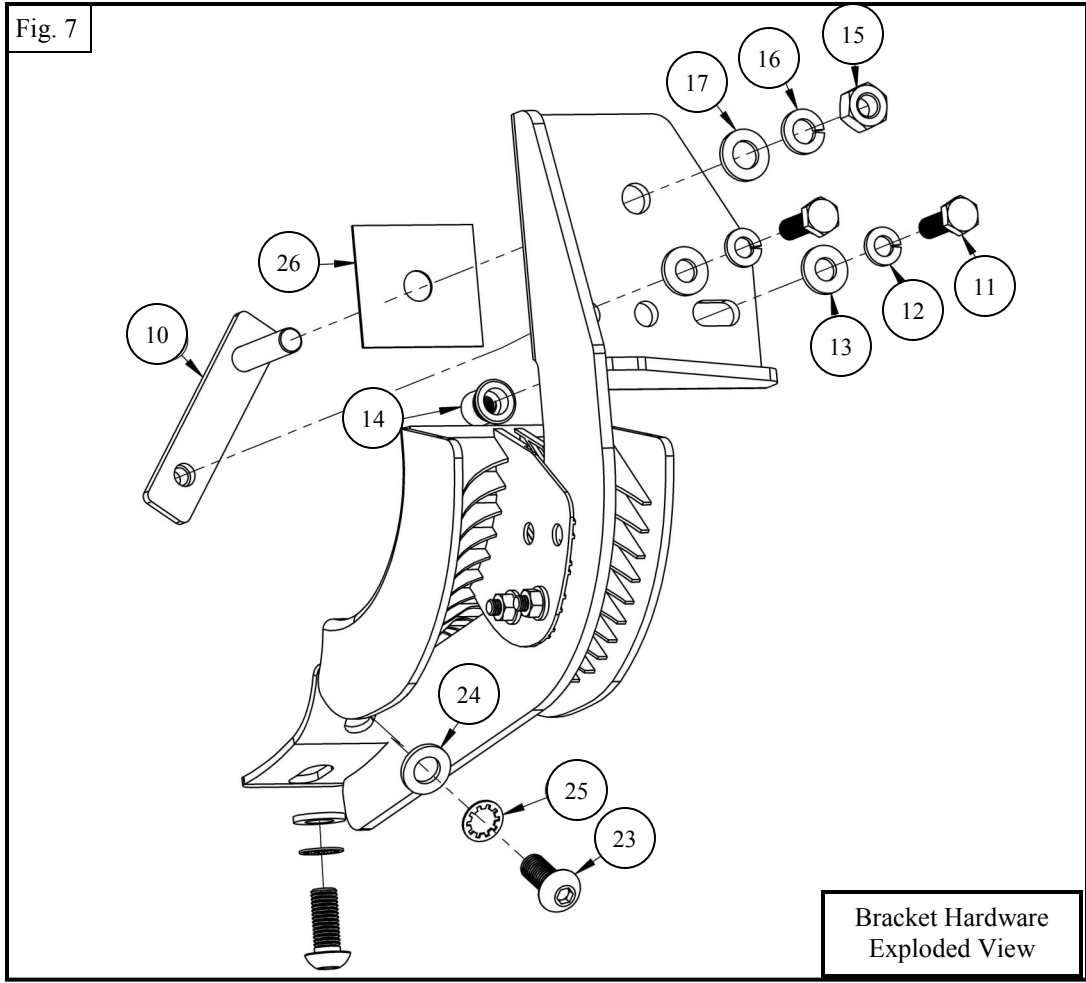




4. In order to properly mount the M8 riv-cert to the rocker panel, place the bracket tighten stud first then place washer with M8 bolt in the riv-cert and tighten. The riv-cert will expand and lock inside the rocker panel. See **Figure 5**.
5. Remove the M8 bolt and leave the top hardware in place loosely so that the stud can be moved.
6. Slide bracket slot to the M8 riv-cert and mount using (1) M8 Bolt, lock washer and flat washer. Remove the nut from the stud on the top of the bracket and turn the stud until the nut on the bottom aligns with the hexagon hole and the slot on the bracket. Using the M8 hardware loosely secure the bracket to the rocker panel. Using (1) M10 flat washer, (1) M10 hex nut, and (1) M10 lock washer finish loosely securing mounting brackets.
7. Locate a plastic bracket cover and loosely secure it to each of the brackets using the provided hardware: (2) M6 hex head cap screws, (4) M6 flat washers, and (2) M6 nylock nuts. Repeat for every bracket A/B. See **Figure 6**.
8. Repeat installation steps 1-7 on the rest of the driver and passenger bracket locations. See **Figure 7**. Refer to **Bracket Orientation** on **Page 6** for the location of each bracket.

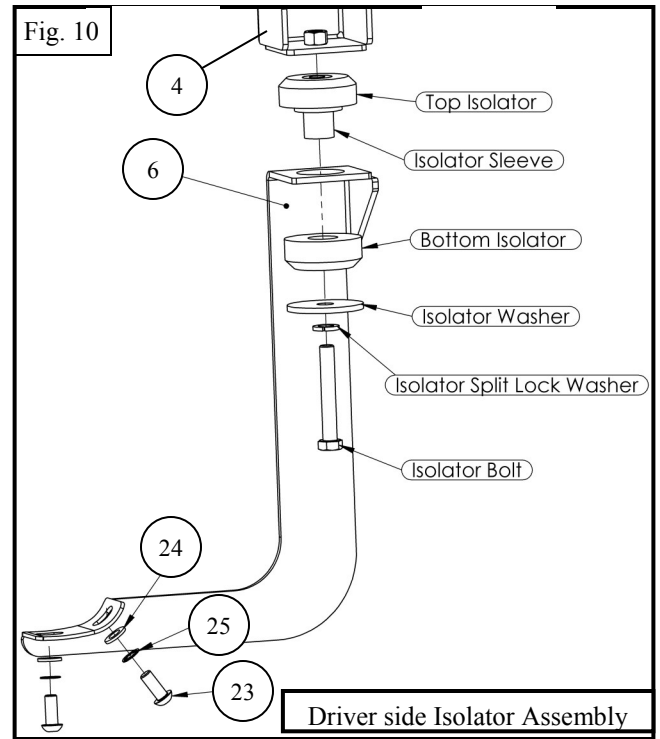
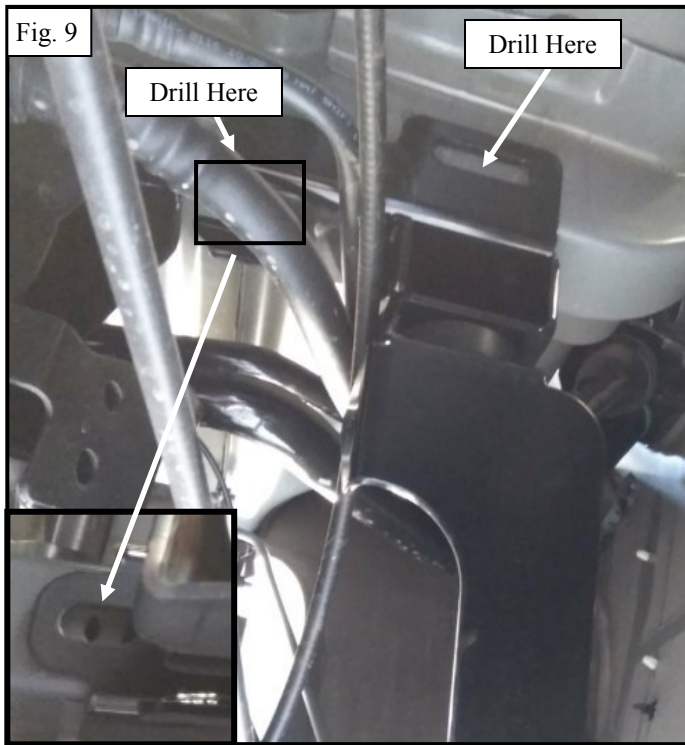


9. Loosely Mount the side step on the driver side using supplied M10 hardware to the three mounting brackets that you have assembled. See **Figure 7-8**.
10. Repeat on the passenger side.



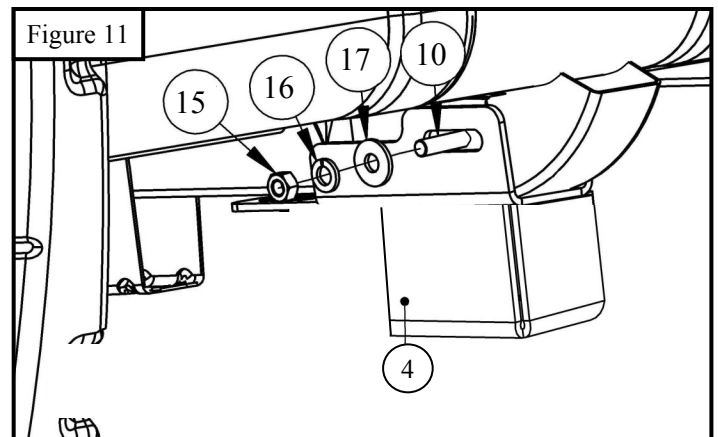
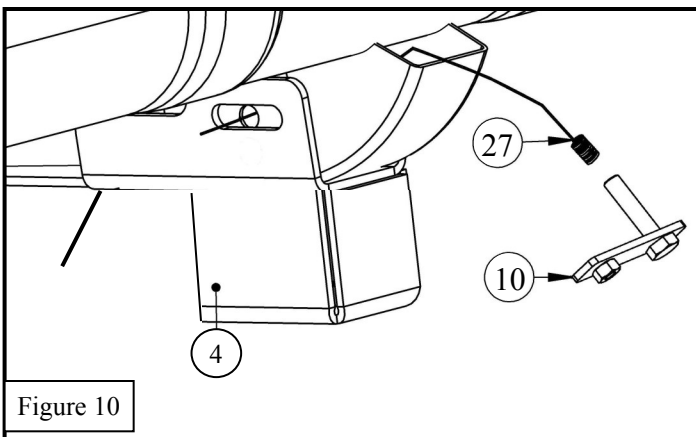


11. Starting on the driver side, mount the isolator kit to the lower and upper bed mounting bracket using M12 hardware (Items 21-22) . Take the Isolator Mounting Bracket assembly and loosely install to the step bar. Locate the slot in the upper bed mounting bracket and using a 1/2" drill bit, drill a hole through the side of the bed channel and bottom of the bed channel. Remove metal debris. See **Figure 9-10**. Repeat on the passenger side.

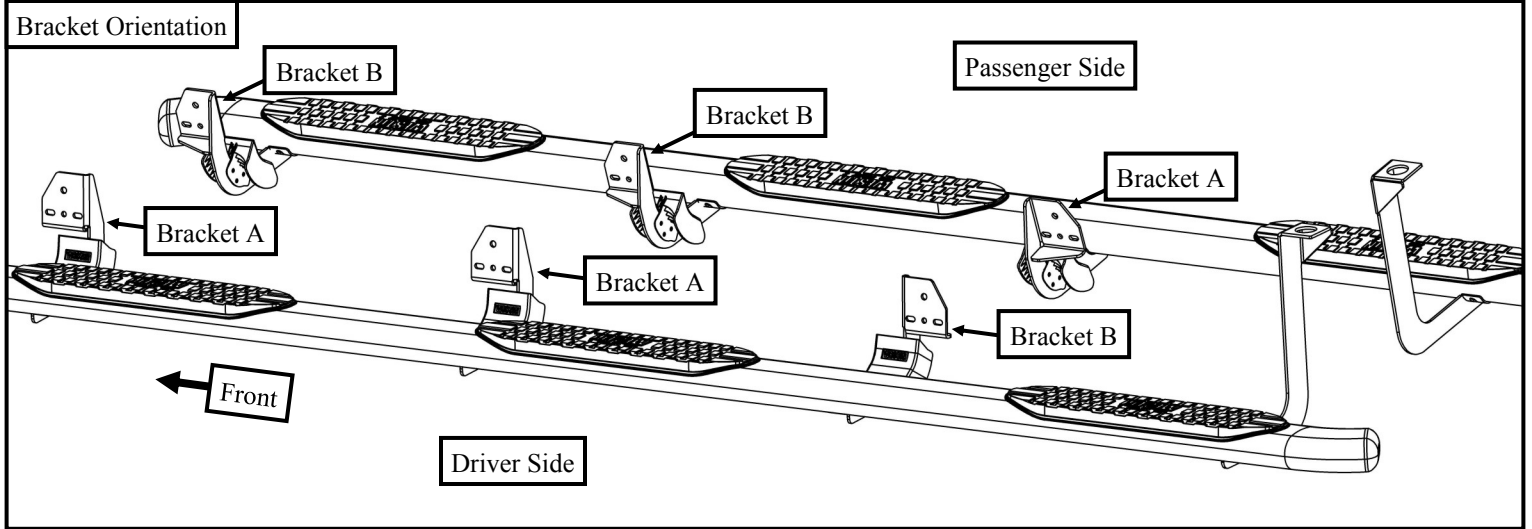


12. Align the top bed mounting bracket with the 1/2" drilled holes. **Note:** It is necessary to keep the top isolator mount bracket aligned with the hole until the bolt of the M10 bolt / M8 nut plate is through. Locate M10 fish wire and insert end with spiral through the recently drilled 1/2" holes and out of vehicle frame. Then locate a M10 bolt / M8 nut plate (Item 16) and screw onto the fish wire. Pull the bolt / nut plate through each of the holes. See **Figure 11**.

13. Loosely secure the upper isolator bracket using the supplied M10 hardware. See **Figure 12**.



14. Align and adjust step bars as necessary. Tighten and torque all M10 hardware to 30 ft-lbs, M6 hardware to 5-7 ft-lbs, M8 hardware to 15-18 ft lbs and M12 hardware to 65 ft-lbs. **See below to check for proper bracket orientation.**



#### CARE INSTRUCTIONS

- REGULAR WAXING IS RECOMMENDED. DO NOT USE ANY TYPE OF POLISH OR WAX THAT MAY CONTAIN ABRASIVES.
- STAINLESS STEEL PRODUCTS CAN BE CLEANED WITH MILD SOAP AND WATER. STAINLESS STEEL POLISH SHOULD BE USED TO POLISH SMALL SCRATCHES.
- GLOSS BLACK FINISHES SHOULD BE CLEANED WITH MILD SOAP AND WATER.

**WESTIN** Westin Automotive Products, Inc.  
320 W. Covina Blvd  
San Dimas, Ca. 91773

Thank you for choosing Westin products  
for additional installation assistance please call  
Customer Service (800) 793-7846



## WARNING



Failure to follow these instructions could lead to death, personal injury, and / or property damage.

Failure to follow these instructions could lead to death, personal injury, and / or property damage.

### FASTENERS:

All Westin supplied fasteners must be utilized and installed in accordance with the installation instructions and apply torque to the specifications as defined. **DOUBLE CHECK ALL FASTENERS BEFORE INITIAL USE, AND PERIODICALLY IN THE FUTURE TO ENSURE PROPER FUNCTION AND SAFETY.**

### DRILLING:

Most Westin products do not require drilling for installation. If drilling is defined as required, use caution when drilling a vehicle. **FAILURE TO REVIEW AN AREA TO BE DRILLED MAY RESULT IN PERSONAL INJURY AND/OR INJURY TO OTHERS AS WELL AS VEHICLE DAMAGE.**

### EYE PROTECTION:

**ALWAYS WEAR SAFETY GLASSES OR GOGGLES DURING THE INSTALLATION PROCESS TO AVOID PERSONAL INJURY.**

### MAXIMUM TOWING/CARRYING CAPACITY: (if applicable)

The Westin Receiver Hitches will have a visible tow rating label affixed directly on the product. User should never exceed the vehicle manufacturers maximum tow and weight rating regardless of the capacity of the hitch. **FAILURE TO FOLLOW THESE GUIDELINES WILL VOID THE WESTIN WARRANTY AND MAY RESULT IN PERSONAL INJURY AND/OR INJURY TO OTHERS AS WELL AS VEHICLE DAMAGE.**

### FOR CALIFORNIA RESIDENTS ONLY-PROP 65 WARNING:

Some products may contain chemicals such as DEHP, which can cause cancer, birth defects or other reproductive harm. For more info go to [www.p65warnings.ca.gov](http://www.p65warnings.ca.gov)



Westin Automotive Products, Inc.  
320 W. Covina Blvd  
San Dimas, Ca. 91773