

# INSTALLATION INSTRUCTIONS

## OUTLAW DROP NERF STEP BAR



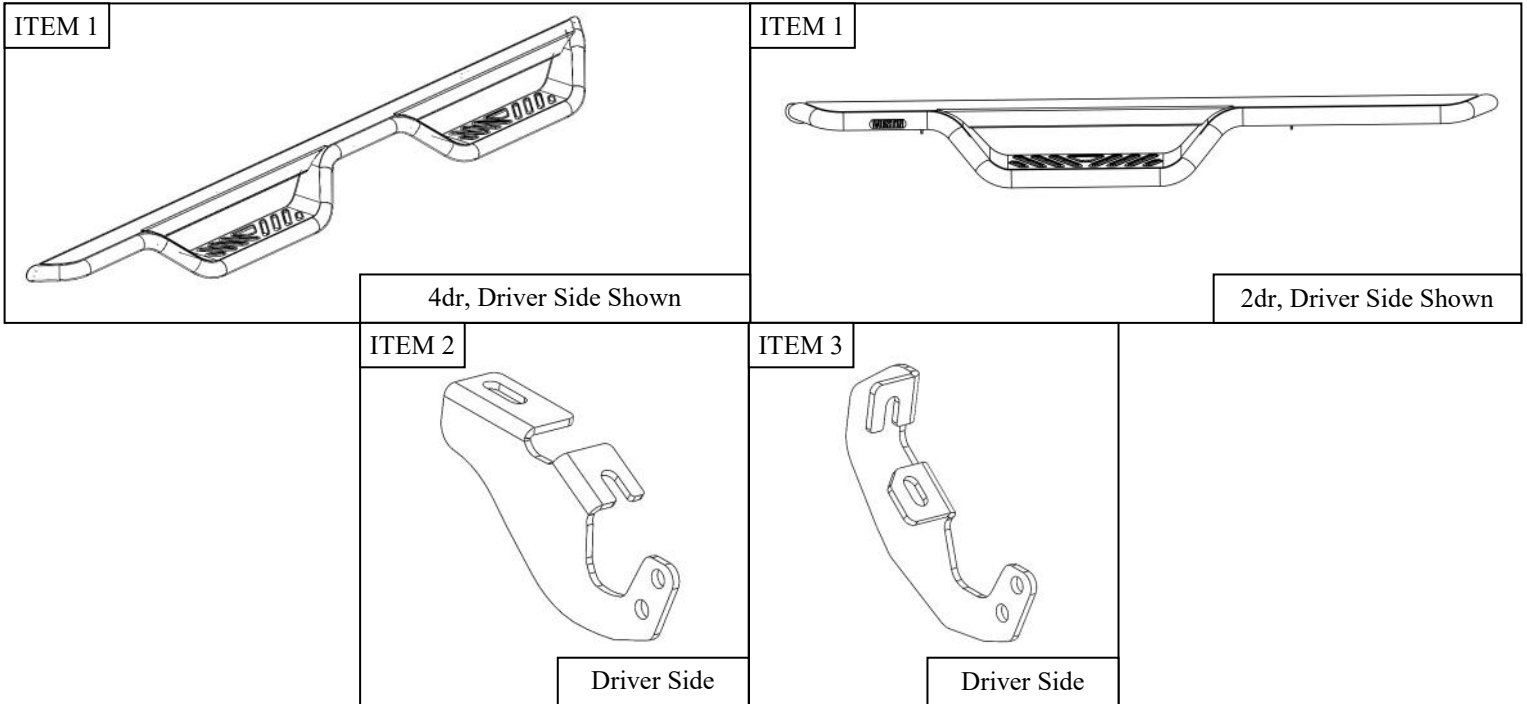
### APPLICATION:

Ford Bronco 2021-2023 2dr (Excl. Bronco Sport)  
 Ford Bronco 2021-2023 4dr (Excl. Bronco Sport)

### PART NUMBER:

20-14185  
 20-14195

CONTENT			
ITEM	QUANTITY	DESCRIPTION	TOOLS NEEDED
1	1	DRIVER STEP BAR	15MM SOCKET
2	1	PASSENGER STEP BAR	16MM SOCKET
3	2	FRONT MOUNTING BRACKET (1 DRIVER, 1 PASSENGER)	16MM WRENCH
4	4, 2*	CENTER/REAR MOUNTING BRACKET (2, 1* DRIVER, 2, 1* PASSENGER)	RATCHET
5	12, 8*	M10 HEX HEAD BOLT	TORQUE WRENCH
6	12, 8*	M10 FLAT WASHER	
7	12, 8*	M10 SPLIT LOCK WASHER	
8	12, 8*	M10 SERRATED FLANGE NUT	
9	12, 8*	M10 SERRATED FLANGE HEX HEAD BOLT	
* Quantity for 2dr steps (P# 20-14185)			
<b>ANTI-SEIZE LUBRICANT MUST BE USED ON ALL STAINLESS STEEL FASTENERS TO PREVENT THREAD DAMAGE AND GALLING</b>			



## PROCEDURE

1. Remove contents from box, verify if all parts listed are present and free from damage. Carefully read and understand all instructions before attempting installation.  
**Failure to identify damage before installation could lead to a rejection of any claim.**
2. Beginning on the driver side of the vehicle, remove (2) M10 OEM bolts (or plastic plugs) from each mounting location on the rocker panel if they are present. See **Figure 1** for reference.
3. If any OEM mounting plates are present, remove them by removing the M10 bolt using a 15MM socket. See **Figure 2** for reference. **Note:** *Factory rock sliders must be removed in order to install this product.*

Driver Side 4 Door Rocker Panel Reference

Front →

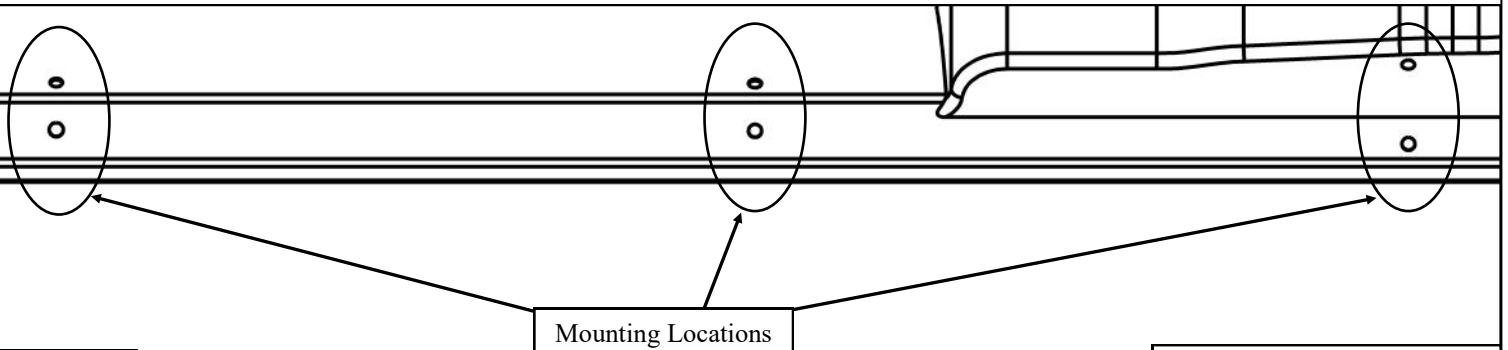
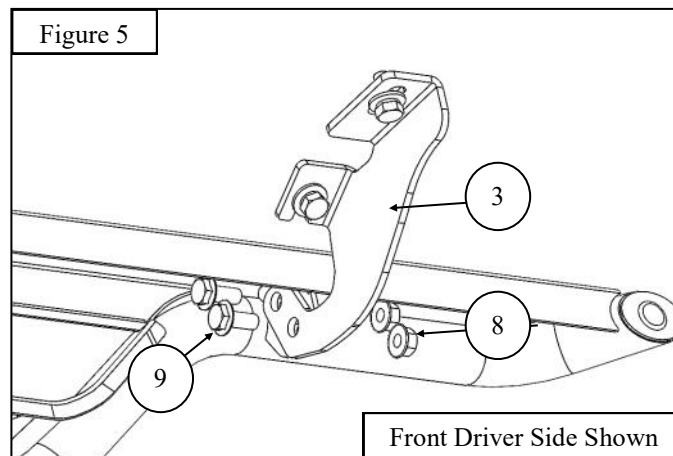
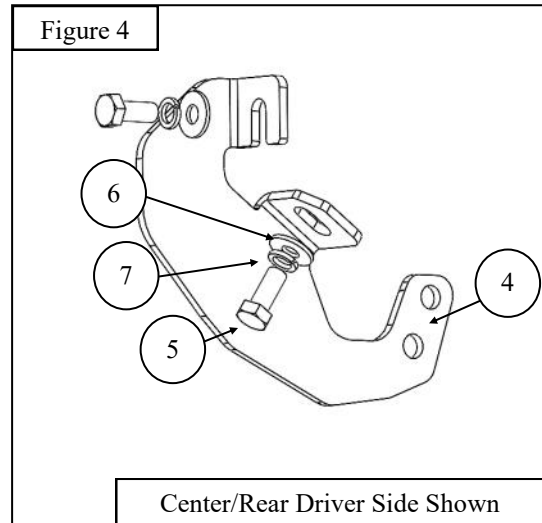
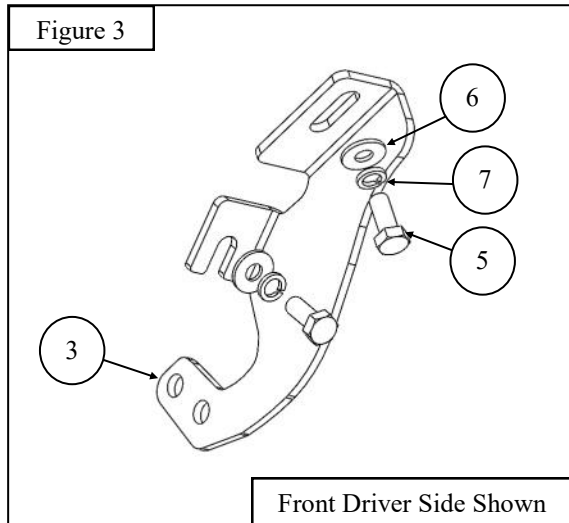


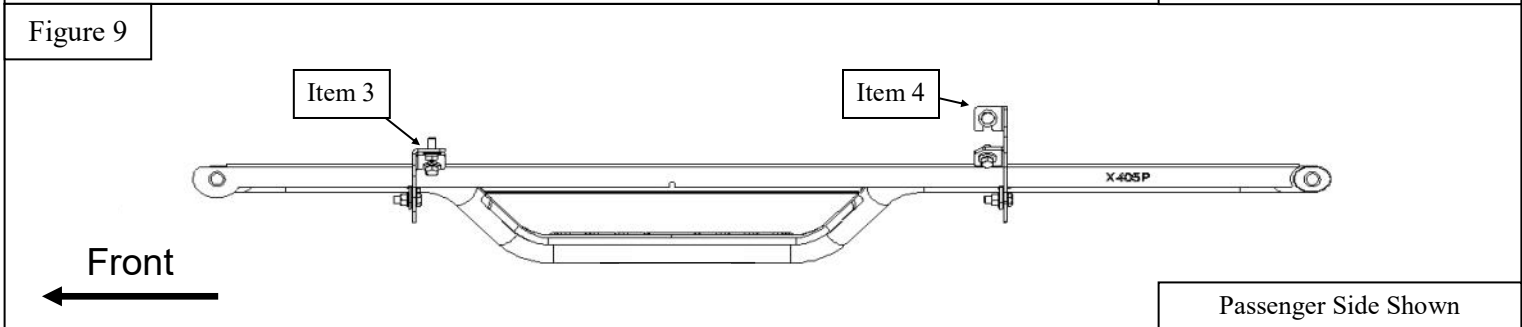
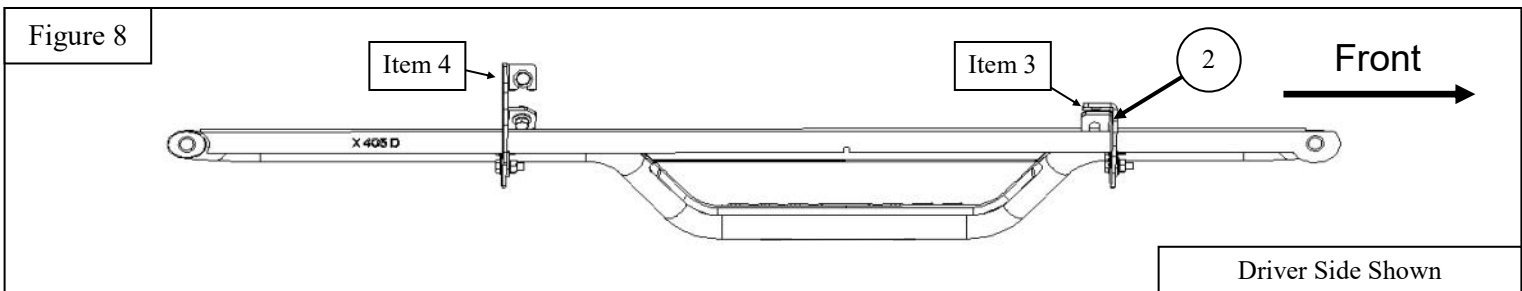
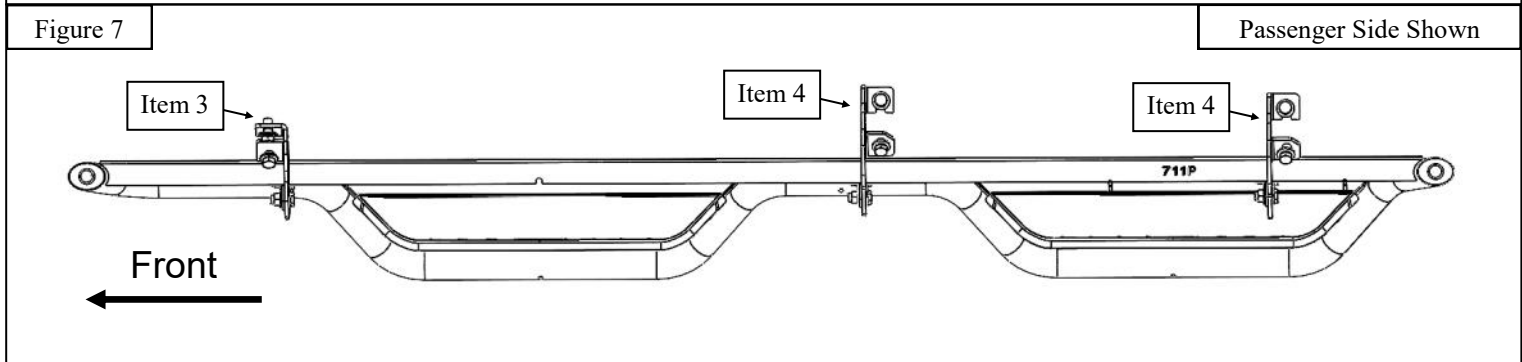
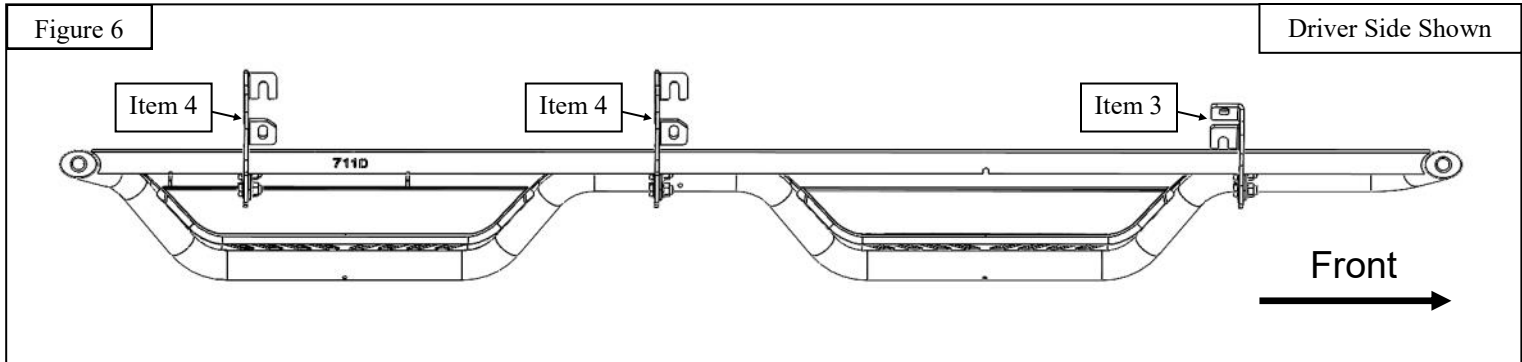
Figure 1

Passenger Side Opposite



4. Loosely install (1) Front Mounting Bracket (Item 3) to the rocker panel using the supplied M10 hardware as shown in **Figure 3**. Please refer to **Figures 6-9** for bracket orientation and locations.
5. Loosely install the Center/Rear Mounting Bracket(s) (Item 4) to the rocker panel using the supplied M10 hardware as shown in **Figure 4**. Please refer to **Figures 6-9** for bracket orientation and locations.
6. Use the supplied serrated M10 Hardware to attach the Outlaw Step Bars (Items 1 & 2) to the Mounting Brackets (Items 3 & 4). See **Figure 5**.
7. Align and adjust the Outlaw Step Bars as needed. Tighten and torque all hardware as specified: M10 to 38 ft-lbs.
8. Repeat **Steps 2-7** on the passenger side of the vehicle.





## INSTALLATION COMPLETE



### CARE INSTRUCTIONS

- REGULAR WAXING IS RECOMMENDED. DO NOT USE ANY TYPE OF POLISH OR WAX THAT MAY CONTAIN ABRASIVES.
- STAINLESS STEEL PRODUCTS CAN BE CLEANED WITH MILD SOAP AND WATER. STAINLESS STEEL POLISH SHOULD BE USED TO POLISH SMALL SCRATCHES.
- GLOSS BLACK FINISHES SHOULD BE CLEANED WITH MILD SOAP AND WATER.

**WESTIN**

Westin Automotive Products, Inc.  
320 W. Covina Blvd  
San Dimas, Ca. 91773

Thank you for choosing Westin products  
for additional installation assistance please call  
Customer Service (800) 793-7846  
[www.westinautomotive.com](http://www.westinautomotive.com)



## WARNING



Failure to follow these instructions could lead to death, personal injury, and / or property damage.

Failure to follow these instructions could lead to death, personal injury, and / or property damage.

### FASTENERS:

All Westin supplied fasteners must be utilized and installed in accordance with the installation instructions and apply torque to the specifications as defined. **DOUBLE CHECK ALL FASTENERS BEFORE INITIAL USE, AND PERIODICALLY IN THE FUTURE TO ENSURE PROPER FUNCTION AND SAFETY.**

### DRILLING:

Most Westin products do not require drilling for installation. If drilling is defined as required, use caution when drilling a vehicle. **FAILURE TO REVIEW AN AREA TO BE DRILLED MAY RESULT IN PERSONAL INJURY AND/OR INJURY TO OTHERS AS WELL AS VEHICLE DAMAGE.**

### EYE PROTECTION:

**ALWAYS WEAR SAFETY GLASSES OR GOGGLES DURING THE INSTALLATION PROCESS TO AVOID PERSONAL INJURY.**

### MAXIMUM TOWING/CARRYING CAPACITY: (if applicable)

The Westin Receiver Hitches will have a visible tow rating label affixed directly on the product. User should never exceed the vehicle manufacturers maximum tow and weight rating regardless of the capacity of the hitch. **FAILURE TO FOLLOW THESE GUIDELINES WILL VOID THE WESTIN WARRANTY AND MAY RESULT IN PERSONAL INJURY AND/OR INJURY TO OTHERS AS WELL AS VEHICLE DAMAGE.**

### FOR CALIFORNIA RESIDENTS ONLY-PROP 65 WARNING:

Some products may contain chemicals such as DEHP, which can cause cancer, birth defects or other reproductive harm. For more info go to [www.p65warnings.ca.gov](http://www.p65warnings.ca.gov)



Westin Automotive Products, Inc.  
320 W. Covina Blvd  
San Dimas, Ca. 91773