

# INSTALLATION INSTRUCTIONS

## OUTLAW DROP STEPS



### APPLICATION:

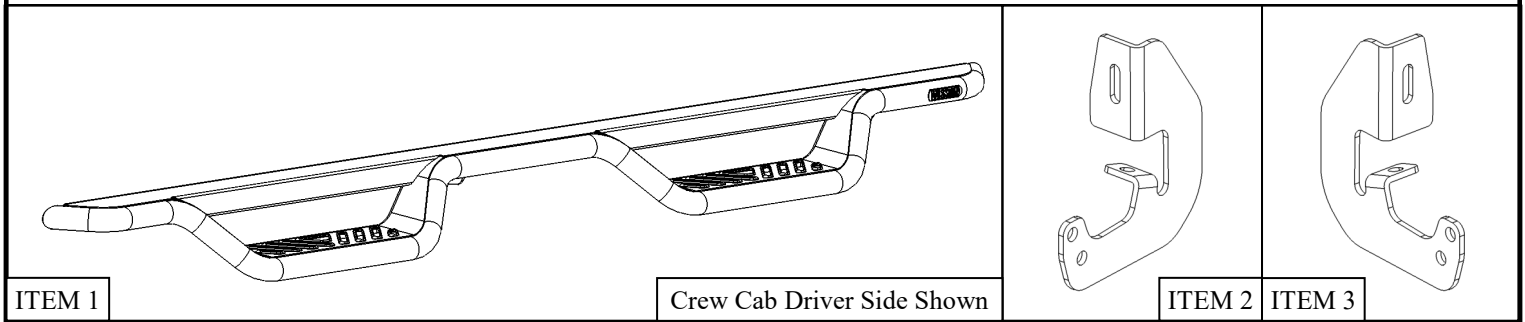
2014-2018 Chevrolet Silverado/GMC Sierra 1500 Crew/Double Cab (Rocker Mount); 2015-2019 Chevrolet Silverado/GMC Sierra 2500/3500 Crew/Double Cab (Excl. Diesel)

### PART NUMBERS:

20-13715 (Double Cab)  
20-13725 (Crew Cab)

CONTENT			
ITEM	QUANTITY	DESCRIPTION	TOOLS NEEDED
1, 2	2	OUTLAW STEP BAR ASSEMBLY (1 DRIVER, 1 PASSENGER)	10MM SOCKET
3	3	DRIVER SIDE MOUNTING BRACKET	13MM SOCKET
4	3	PASSENGER SIDE MOUNTING BRACKET	13MM WRENCH
5	12	M8 HEX HEAD BOLT	17MM SOCKET
6	12	M8 SPLIT LOCK WASHER	17MM WRENCH
7	12	M8 FLAT WASHER	RATCHET
8	12	M8 U-NUT	TORQUE WRENCH
9	12	M10 SERRATED FLANGE HEX HEAD BOLT	
10	12	M10 SERRATED FLANGE NUT	

**ANTI-SEIZE LUBRICANT MUST BE USED ON ALL STAINLESS STEEL FASTENERS TO PREVENT THREAD DAMAGE AND GALLING**



ITEM 1

Crew Cab Driver Side Shown

ITEM 2

ITEM 3

### PROCEDURE

- Remove contents from box, verify if all parts listed are present and free from damage. Carefully read and understand all instructions before attempting installation.  
**Failure to identify damage before installation could lead to a rejection of any claim.**
- Starting on the either side of the vehicle, remove the OEM rubber plugs located on the rocker panel at each mounting location. See **Figure 1** for reference.
- For vehicle models with welded nuts:** At each bracket mounting location, there should either be a welded factory nut or a hole on the pinch weld. If there is a factory welded nut present, the M8 U-Nut Clip (Item 8) will not be used at that location. See **Figure 2** for reference on the factory welded nut.

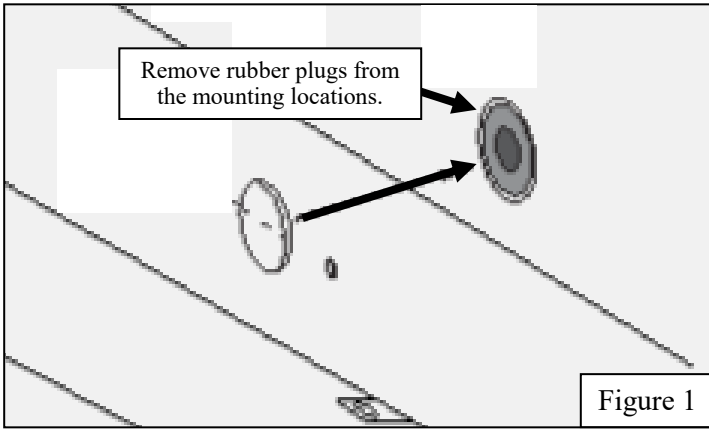


Figure 1

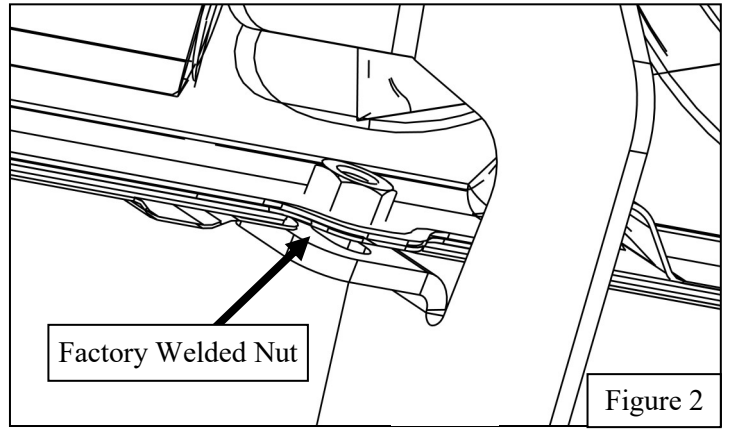
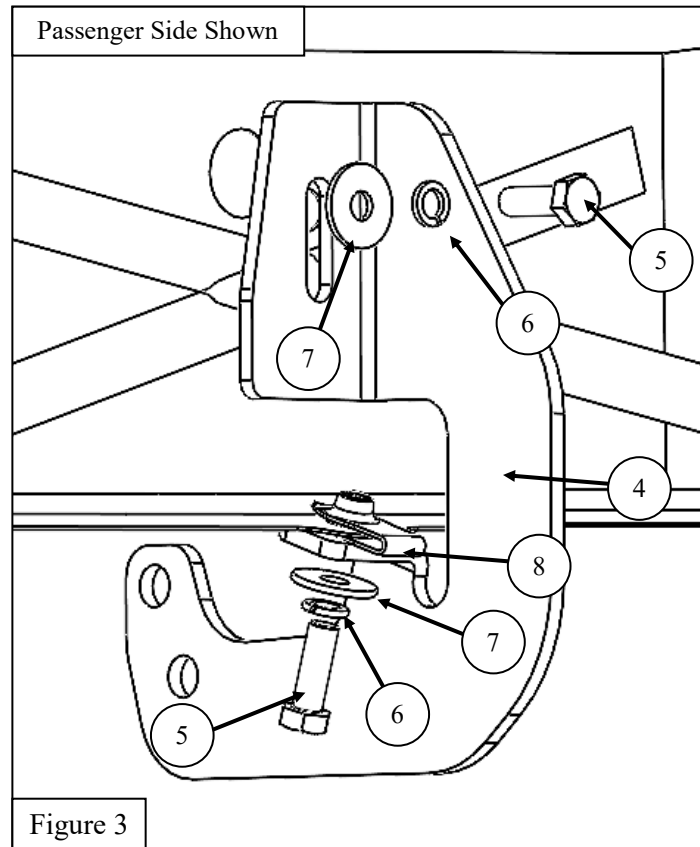
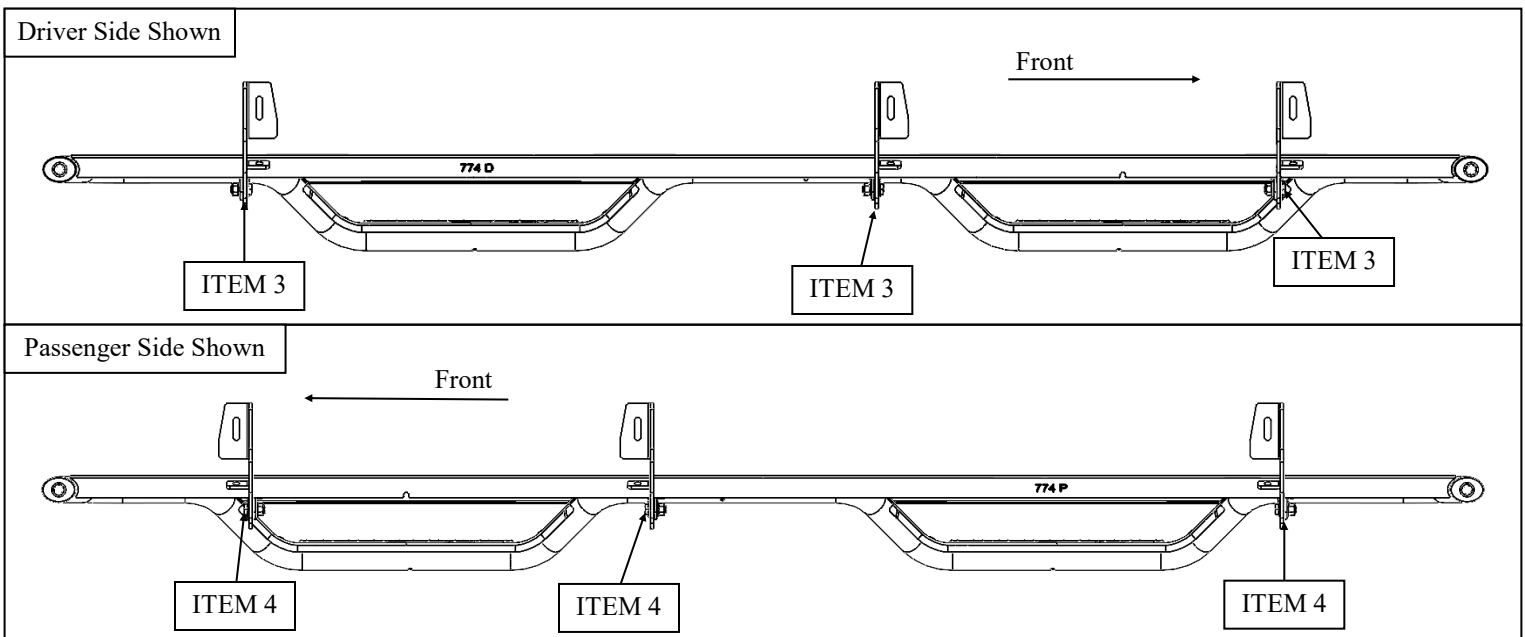
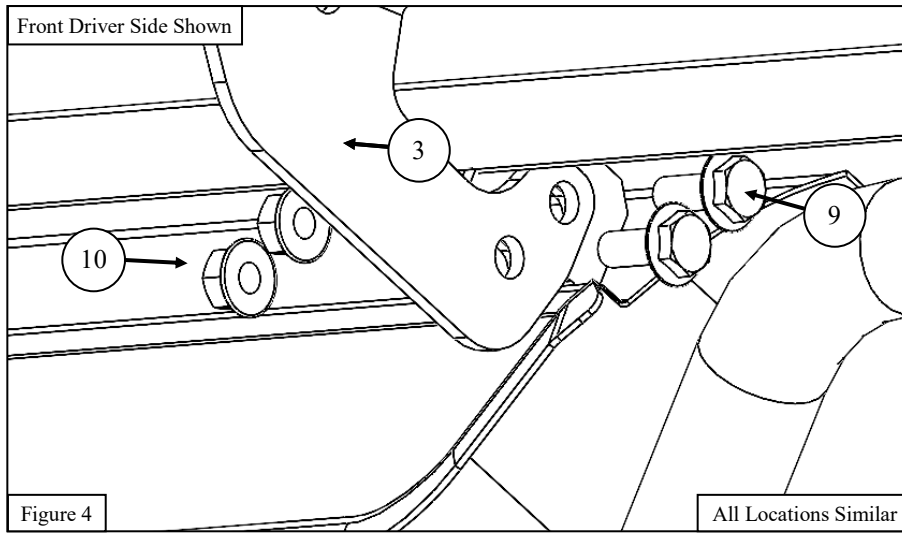


Figure 2

4. Locate and insert (1) M8 U-Nut clip (Item 8) into the hole where the rubber plug was removed. Clip (1) M8 U-Nut clip onto pinch weld if no factory welded nut is present.
5. Locate (1) Passenger Side Mounting Bracket (Item 3) and loosely secure it to the rocker panel using the M8 hardware (items 5-7). See **Figure 3** for reference.
6. Repeat **Step 5** for every other bracket mounting location. See **Page 3** for bracket orientation and location.



7. For the Outlaw Step Board installation, use the supplied M10 hardware to secure the assembly to the previously installed mounting brackets. See **Figure 4** for reference.
8. Align and adjust the step bars and brackets as needed, then fully tighten all hardware: M8 to 15-18 ft-lbs, M10 to 35-38 ft-lbs.



## INSTALLATION COMPLETE



Crew Cab Shown

### CARE INSTRUCTIONS

- REGULAR WAXING IS RECOMMENDED. DO NOT USE ANY TYPE OF POLISH OR WAX THAT MAY CONTAIN ABRASIVES.
- STAINLESS STEEL PRODUCTS CAN BE CLEANED WITH MILD SOAP AND WATER. STAINLESS STEEL POLISH SHOULD BE USED TO POLISH SMALL SCRATCHES.
- GLOSS BLACK FINISHES SHOULD BE CLEANED WITH MILD SOAP AND WATER.

**WESTIN**

Westin Automotive Products, Inc.  
320 W. Covina Blvd  
San Dimas, Ca. 91773

Thank you for choosing Westin products  
for additional installation assistance please call  
Customer Service (800) 793-7846

[www.westinautomotive.com](http://www.westinautomotive.com)

DATE: 5/16/2022



## WARNING



Failure to follow these instructions could lead to death, personal injury, and / or property damage.

Failure to follow these instructions could lead to death, personal injury, and / or property damage.

### FASTENERS:

All Westin supplied fasteners must be utilized and installed in accordance with the installation instructions and apply torque to the specifications as defined. **DOUBLE CHECK ALL FASTENERS BEFORE INITIAL USE, AND PERIODICALLY IN THE FUTURE TO ENSURE PROPER FUNCTION AND SAFETY.**

### DRILLING:

Most Westin products do not require drilling for installation. If drilling is defined as required, use caution when drilling a vehicle. **FAILURE TO REVIEW AN AREA TO BE DRILLED MAY RESULT IN PERSONAL INJURY AND/OR INJURY TO OTHERS AS WELL AS VEHICLE DAMAGE.**

### EYE PROTECTION:

**ALWAYS WEAR SAFETY GLASSES OR GOGGLES DURING THE INSTALLATION PROCESS TO AVOID PERSONAL INJURY.**

### MAXIMUM TOWING/CARRYING CAPACITY: (if applicable)

The Westin Receiver Hitches will have a visible tow rating label affixed directly on the product. User should never exceed the vehicle manufacturers maximum tow and weight rating regardless of the capacity of the hitch. **FAILURE TO FOLLOW THESE GUIDELINES WILL VOID THE WESTIN WARRANTY AND MAY RESULT IN PERSONAL INJURY AND/OR INJURY TO OTHERS AS WELL AS VEHICLE DAMAGE.**

### FOR CALIFORNIA RESIDENTS ONLY-PROP 65 WARNING:

Some products may contain chemicals such as DEHP, which can cause cancer, birth defects or other reproductive harm. For more info go to [www.p65warnings.ca.gov](http://www.p65warnings.ca.gov)



Westin Automotive Products, Inc.  
320 W. Covina Blvd  
San Dimas, Ca. 91773