

INSTALLATION INSTRUCTIONS



GASOLINE TRUCKS ONLY PRO TRAXX 5 WHEEL-TO-WHEEL

APPLICATION: Chevrolet Silverado / GMC Sierra

- 2007-2017 1500 Crew Cab (5.5ft/6.5ft Bed) (Excl. 2007 Classic)
- 2007-2017 2500/3500 Crew Cab (6.5ft Bed) & Dual Rear Wheel (8ft Bed)
- 2007-2015 2500/3500 Crew Cab (8ft Bed) (Incl. Diesel) (Excl. Dually)
- 2007-2013 1500 Extended Cab (6.5ft Bed) (Excl. 2007 Classic)
- 2008-2014 2500/3500 Extended Cab (6.5ft Bed) & Dual Rear Wheel (8ft Bed)
- 2014-2017 1500 Double Cab (6.5ft Bed)
- 2015-2017 2500/3500 Double Cab (6.5ft Bed) & Dual Rear Wheel (8ft Bed)
- 2007-2013 1500 Extended Cab (6.5ft/8ft Bed) (Excl. 2007 Classic)
- 2008-2014 2500/3500 Extended Cab (6.5ft Bed) & Dual Rear Wheel (8ft Bed)
- 2015-2017 2500/3500 Double Cab (8ft Bed) (Excl. 2007 Classic) (Excl. Dually)

PART NUMBER: 21-534560/65, 21-534570/75, 21-534580/85, 21-534590/95, 21-534600/05

IMPORTANT ALERT: GM uses a very strong thread-locking compound on all body bolts. Use of an air assisted impact ratchet can cause damage to the threads on factory body mount bolts and the internal nut assembly because of this thread locking compound. We only recommend the use of hand tools to slowly remove and reinstall body mount bolts on all GM vehicles.

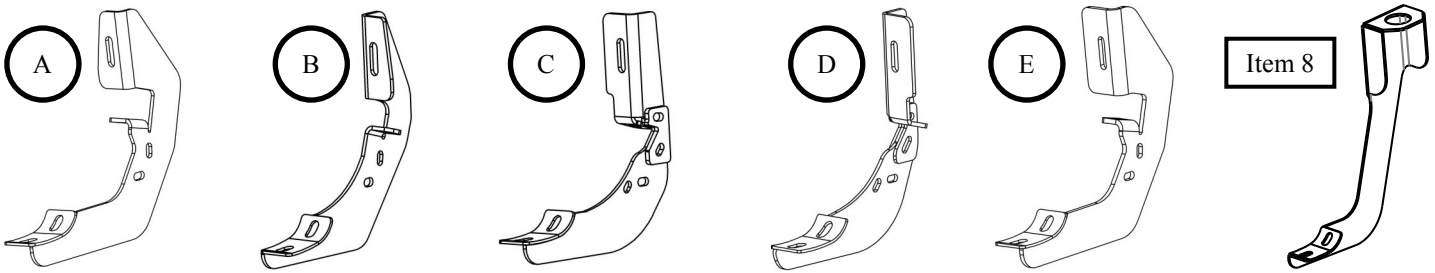
ITEM	QUANTITY	DESCRIPTION	TOOLS NEEDED
1,2	2	STEP BAR, DRIVER (1) AND PASSENGER (2)	13MM SOCKET
3	4*	MOUNTING BRACKET A (QTY. OF 2)*	18MM SOCKET
4	2	MOUNTING BRACKET B	FLAT SCREW DRIVER
5	1	MOUNTING BRACKET C	
6	1	MOUNTING BRACKET D	3/8 RATCHET
7	1*	ISOLATOR MOUNTING BRACKET DRIVER (EXCLUDES 21-534560/65)	3/8 RATCHET EXT.
8	1*	ISOLATOR BRACKET DRIVER (EXCLUDES 21-534560/65)	TORQUE WRENCH
9	1*	ISOLATOR MOUNTING BRACKET PASSENGER (EXCLUDES 21-534560/65)	PLIERS
10	1*	ISOLATOR BRACKET PASSENGER (EXCLUDES 21-534560/65)	
11	2*	ISOLATOR RUBBER MOUNTING ASSEMBLY (EXCLUDES 21-534560/65)	
12	18*	M8 FLAT WASHERS (QTY. OF 16)* (YELLOW ZINC)	
13	18*	M8 SPRING LOCK WASHERS (QTY. OF 16)* (YELLOW ZINC)	
14	16	M8 EXTRUDED U-NUTS (YELLOW ZINC)	
15	18*	M8 HEX CAP SCREWS (QTY. OF 16)* (YELLOW ZINC)	
16	20*	M10 INTERNAL TOOTHED LOCK WASHERS (QTY. OF 16)* (BLACK ZINC)	
17	20*	M10 BUTTON HEAD SOCKET CAP SCREWS (QTY. OF 16) (BLACK ZINC)	
18	20*	M10 FLAT WASHERS (QTY. OF 16)* (BLACK ZINC)	
19	2*	M12 THICK SPACER (EXCLUDES 21-534560/65) (BLACK ZINC)	
20	10*	PLASTIC BRACKET COVERS (QTY. OF 8)*	
21	20*	M6 HEX HEAD CAP SCREWS (QTY. OF 16)* (YELLOW ZINC)	
22	40*	M6 FLAT WASHERS (QTY. OF 32)* (YELLOW ZINC)	
23	20*	M6 NYLON LOCK NUTS (QTY. OF 16)* (YELLOW ZINC)	
24	2	MOUNTING BRACKET E (ONLY 21-534560 / 21-534565)	

Quantity Containing an asterisk has a change in quantity for 21-534560/65 only and is displayed at the end of description.

ANTI-SEIZE LUBRICANT MUST BE USED ON ALL STAINLESS STEEL FASTENERS TO PREVENT THREAD DAMAGE AND GALLING

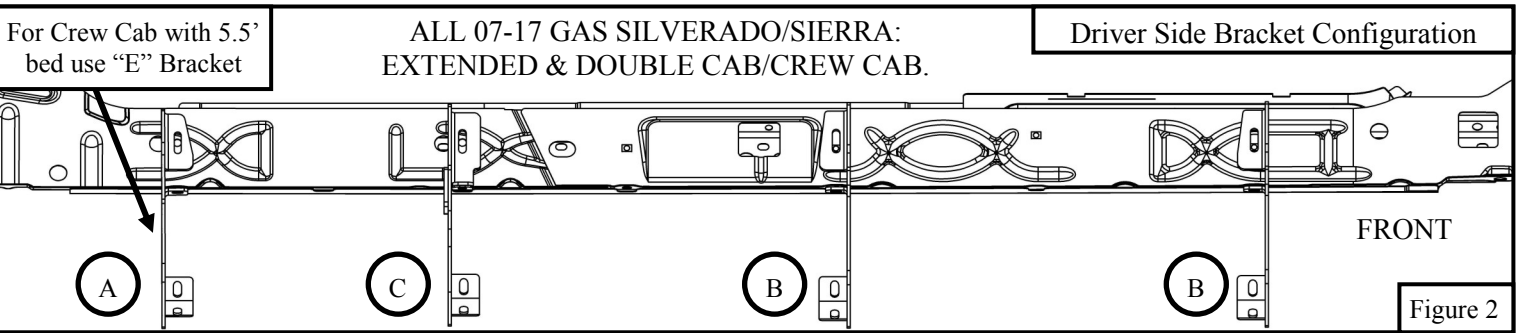
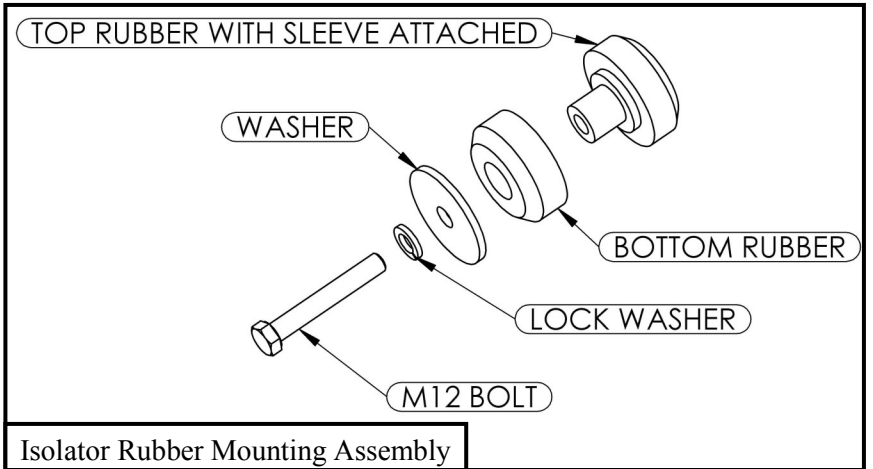
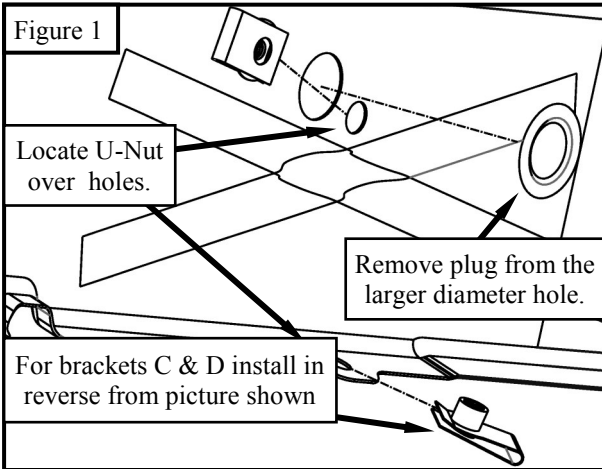
WESTIN Westin Automotive Products, Inc.
320 W. Covina Blvd
San Dimas, Ca. 91773

Thank you for choosing Westin products
for additional installation assistance please call
Customer Service (800) 793-7846



PROCEDURE

1. Remove contents from box, verify if all parts listed are present and free from damage. Carefully read and understand all instructions before attempting installation.
Failure to identify damage before installation could lead to a rejection of any claim.
2. Locate and remove on each side of the vehicles rocker panel a set of round plastic plugs. Install M8 u-nuts (Item 14) to both driver and passenger rocker panel. **(Figure 1)**. **Hint:** Not all plugs will need to be removed, determine by looking the step bars mounting locations, lengths to determine the distances.
3. Locate on each side of the vehicle, the rocker panel pinch weld and insert M8 u-nuts directly below previously installed rocker panels u-nuts. Position of the M8 u-nut will need to be placed with the nut pointing down for Brackets C & D. **(Figure 1)**. **Hint:** Some vehicles may not need u-nuts installed, some vehicles already have existing welded M8 nuts attached to the pinch weld.
4. Proceed to install brackets loosely. Please follow **(Figures 2 & 3)** since bracket placement is critical for proper fitment. For hardware please review **(Figure 4)** illustrations.
5. For Crew Cab vehicles with 5.5ft bed please skip to **Step 8**.
6. On each side of the vehicle, directly behind the cab, underneath the bed locate the beam that mounts the bed to the frame. There will be 2 pre-existing bolts. Remove these two bolts and install the isolator mounting brackets to their respective sides (Item 7 & 9). **Hint:** Re-use M12 factory bolt. **(Figures 5 & 6)**



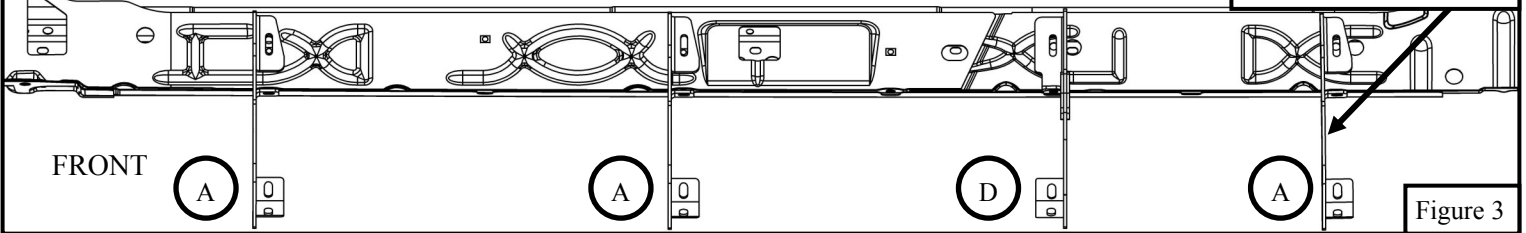
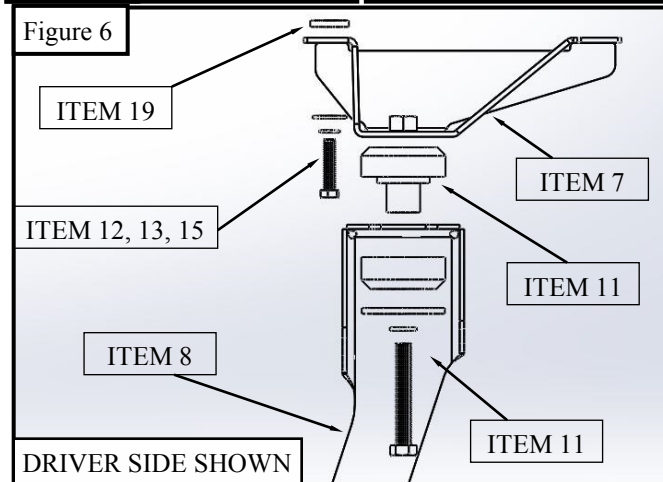
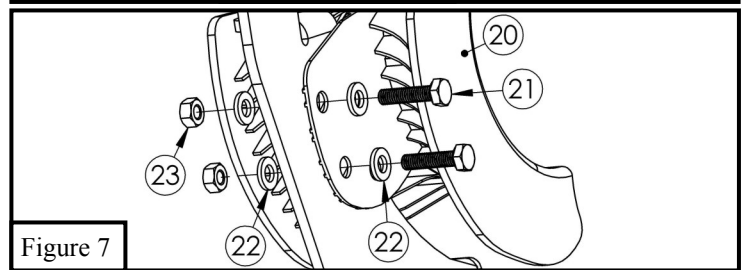
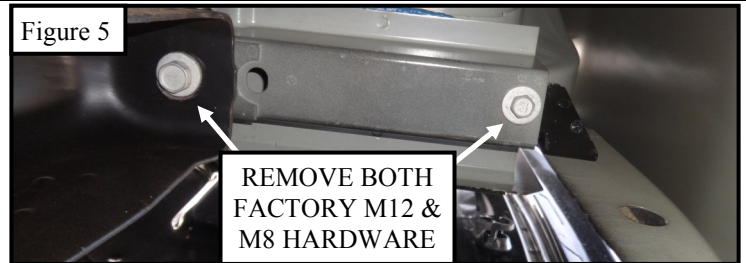
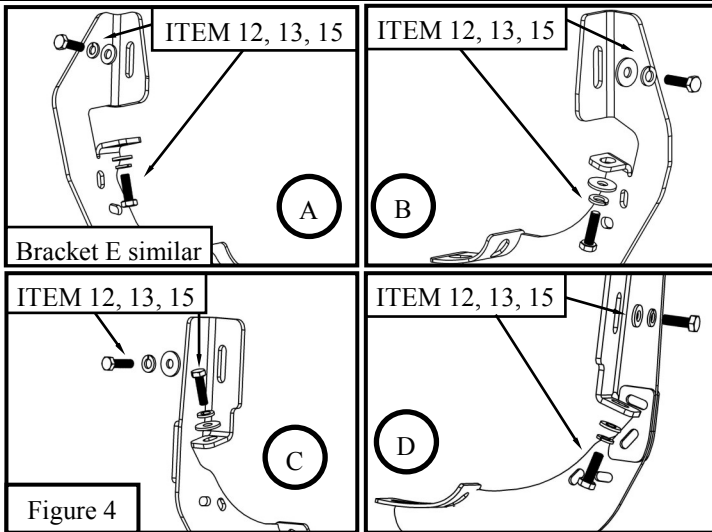


Figure 3

7. Locate the Rubber Isolator Mounting Assembly (Item 11), along with the isolator brackets (Items 8 & 10) and install them respectively to each side of the vehicle, to the previously installed isolator mounting bracket (Item 7 & 9). (Figure 5)
8. Locate (1) Plastic Bracket Cover (Item 20) and loosely secure it to the brackets using the provided hardware: (2) M6 hex head cap screws, (4) M6 flat washers, and (2) M6 nylon lock nuts. Repeat for every bracket. See Figure 7.
9. Locate Passenger and Driver step bars, and install the brackets, using (2) M10 socket cap screw (Item 17), (2) M10 internal toothed lock washers (Item 16) and (2) M10 flat washers (Item 18) per mounting cradle.
10. At this time tighten all M8 hardware to 15-18 ft-lbs., M10 to 30-35 ft-lbs., M12 to 50-55 ft-lbs. For factory hardware, please torque down to vehicle factory specification.



CARE INSTRUCTIONS

- REGULAR WAXING IS RECOMMENDED. DO NOT USE ANY TYPE OF POLISH OR WAX THAT MAY CONTAIN ABRASIVES.
- STAINLESS STEEL PRODUCTS CAN BE CLEANED WITH MILD SOAP AND WATER. STAINLESS STEEL POLISH SHOULD BE USED TO POLISH SMALL SCRATCHES.
- GLOSS BLACK FINISHES SHOULD BE CLEANED WITH MILD SOAP AND WATER.



WARNING



Failure to follow these instructions could lead to death, personal injury, and / or property damage.

FASTENERS:

All Westin supplied fasteners must be utilized and installed in accordance with the installation instructions and apply torque to the specifications as defined. **DOUBLE CHECK ALL FASTENERS BEFORE INITIAL USE, AND PERIODICALLY IN THE FUTURE TO ENSURE PROPER FUNCTION AND SAFETY.**

DRILLING:

Most Westin products do not require drilling for installation. If drilling is defined as required, use caution when drilling a vehicle. **FAILURE TO REVIEW AN AREA TO BE DRILLED MAY RESULT IN PERSONAL INJURY AND/OR INJURY TO OTHERS AS WELL AS VEHICLE DAMAGE.**

EYE PROTECTION:

ALWAYS WEAR SAFETY GLASSES OR GOGGLES DURING THE INSTALLATION PROCESS TO AVOID PERSONAL INJURY.

MAXIMUM TOWING/CARRYING CAPACITY:

The Westin Receiver Hitches will have a visible tow rating label affixed directly on the product. User should never exceed the vehicle manufacturers maximum tow and weight rating regardless of the capacity of the hitch. **FAILURE TO FOLLOW THESE GUIDELINES WILL VOID THE WESTIN WARRANTY AND MAY RESULT IN PERSONAL INJURY AND/OR INJURY TO OTHERS AS WELL AS VEHICLE DAMAGE.**



Westin Automotive Products, Inc.
320 W. Covina Blvd
San Dimas, Ca. 91773

Thank you for choosing Westin products
for additional installation assistance please call
Customer Service (800) 793-7846
www.westinautomotive.com