



SIGNATURE OF QUALITY

INSTRUCTIONS—INSTRUCCIONES—CONSIGNES

APPLICATION: TOYOTA TUNDRA EXT CAB/4DR 99-06
Part # : 23-2510

AUTOMOTIVE PRODUCTS, INC.

ITEM	QUANTITY	DESCRIPTION	TOOLS NEEDED
1	2	SIDEBARS	9/16" ratchet and socket
2,3	2	FRONT MOUNTING BRACKET (2) DRIVERS SIDE, (3) PASSENGER SIDE	9/16" wrench
4,5	2	REAR MOUNTING BRACKET (4) DRIVERS SIDE, (5) PASSENGER SIDE	16mm ratchet and socket
6,7	2	FRONT SUPPORT BRACKET (6) DRIVERS SIDE, (7) PASSENGER SIDE	16mm wrench
8	2	TUBE SPACERS	14mm ratchet and socket
9	2	SQUARE WASHERS	14mm wrench
10	4	1/2" X 2 HEX HEAD BOLTS	Torque wrench
11	4	1/2" LOCK WASHERS	
12	4	1/2" FLAT WASHERS	
13	2	M12 X 140MM HEX HEAD BOLTS	
14	2	M12 X 40MM HEX HEAD BOLTS	
15	4	M12 LOCK WASHERS	
16	4	M12 HEX NUTS	
17	8	M12 FLAT WASHERS	
18	2	M10 X 30MM HEX HEAD BOLTS	
19	2	M10 LOCK WASHERS	
20	2	M10 HEX NUTS	
21	4	M10 FLAT WASHERS	

1. Remove all contents from box, verify all parts listed are present and free from damage. Carefully read and understand all instructions before attempting installation.
2. From underneath the vehicle, locate the factory square hole by the front body mount. Position the front drivers side body mount up to the square hole in the frame insert (1) M12 X 140MM hex head bolt, and (1) M12 flat washer through the mounting bracket and frame, from the opposite side of the frame place a tube spacer over the previously installed bolt followed by a square washer to cover the square hole in the frame. Finish with (1) M12 flat washer, (1) M12 lock washer, and (1) M12 hex nut. Do not fully tighten at this time.
3. Locate the two factory holes in the upper body mount cavity. Partially mount the drivers side front support bracket to the front hole using (1) M10 X 30MM hex head bolt, (1) M10 lock washer, (2) M10 flat washers, and (1) M10 hex nut.. Do not fully tighten at this time
4. Hand tighten the rear drivers side mounting bracket onto the side bar using (1) 1/2" X 2" hex head bolt, (1) 1/2" lock washer, and (1) 1/2" flat washer then attach bracket with the previously installed bar to the factory hole in the lower body mount cavity using (1) M12 X 40mm hex head bolt, (1) M12 lock washer, (2) M12 flat washers, and (1) M12 hex nut. Do not fully tighten at this time.
5. Attach the front end of the side bar to the previously installed front mounting and support bracket using, (1) 1/2" X 2" hex head bolt, (1) 1/2" lock washer, and (1) 1/2" flat washer
6. Level and adjust sidebar as needed and tighten all hardware at this time repeat steps 2-5 for passenger side
7. Torque all 1/2" hardware to 35-40 ft lbs, M12 hardware to 30-35 ft lbs, and M10 hardware to 20-25 ft lbs



Westin Automotive Products, Inc.
5200 N. Irwindale Ave. Ste 220
Irwindale, Ca 91706

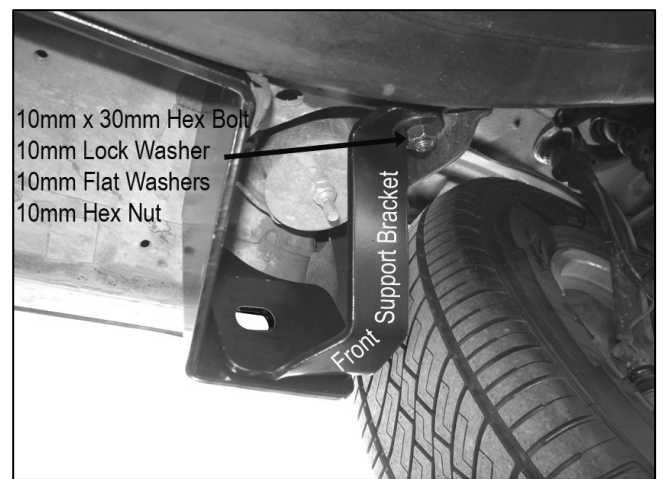
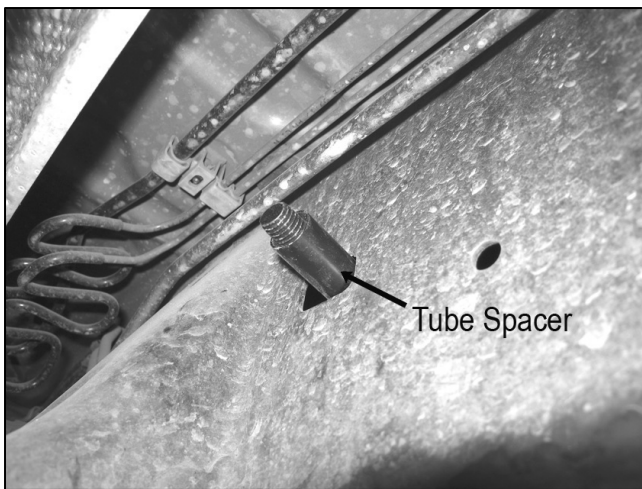
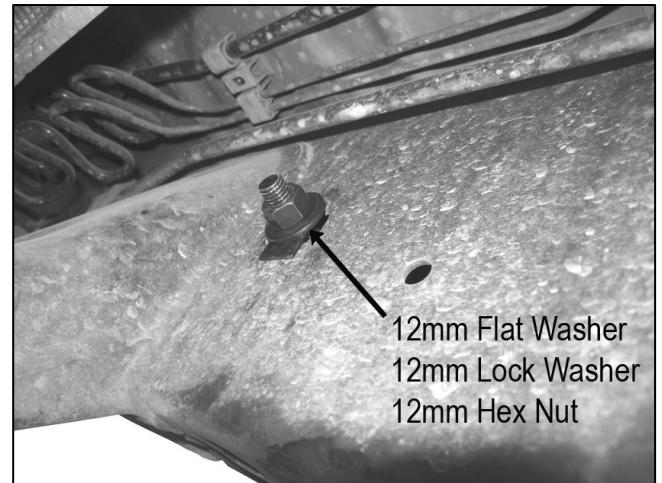
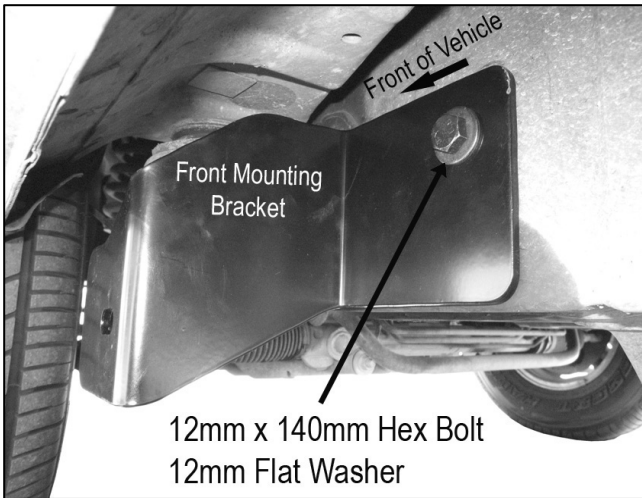
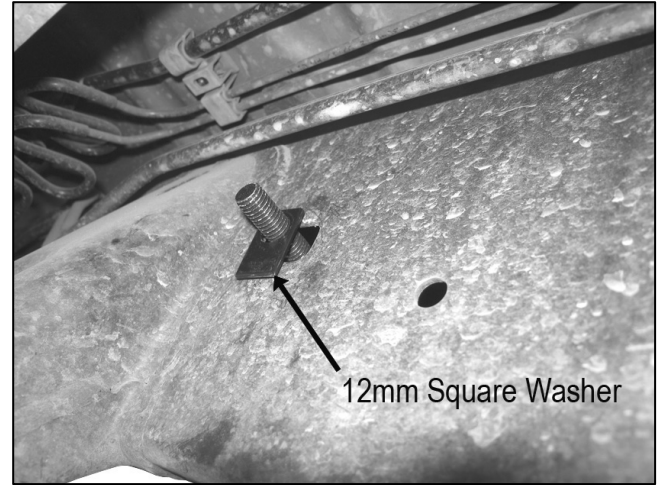
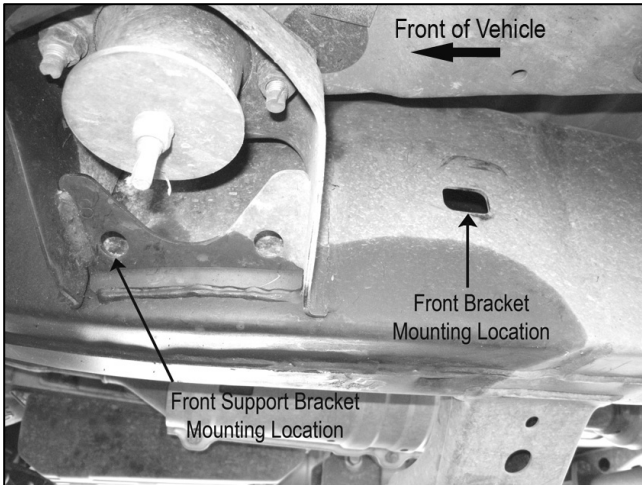
Thank You for choosing Westin products
For additional installation assistance please call
Customer Service (800)793-7846

Westin

SIGNATURE OF QUALITY

INSTRUCTIONS—INSTRUCCIONES—CONSIGNES

APPLICATION: TOYOTA TUNDRA EXT CAB/4DR 99-06
Part # : 23-2510



Westin

SIGNATURE OF QUALITY

Westin Automotive Products, Inc.
5200 N. Irwindale Ave. Ste 220
Irwindale, Ca 91706

Thank You for choosing Westin products
For additional installation assistance please call
Customer Service (800)793-7846

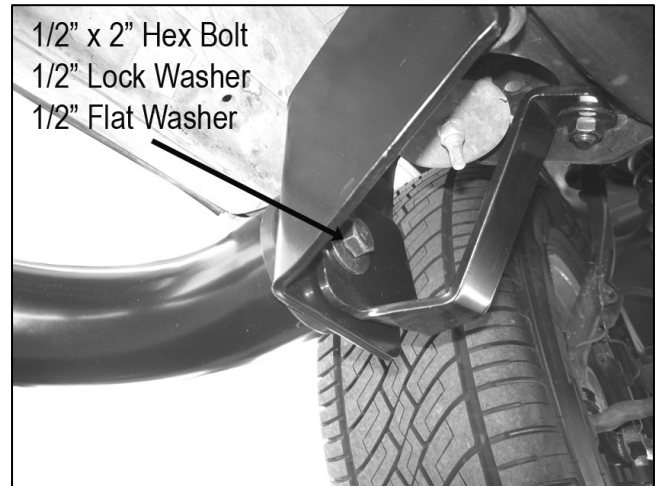
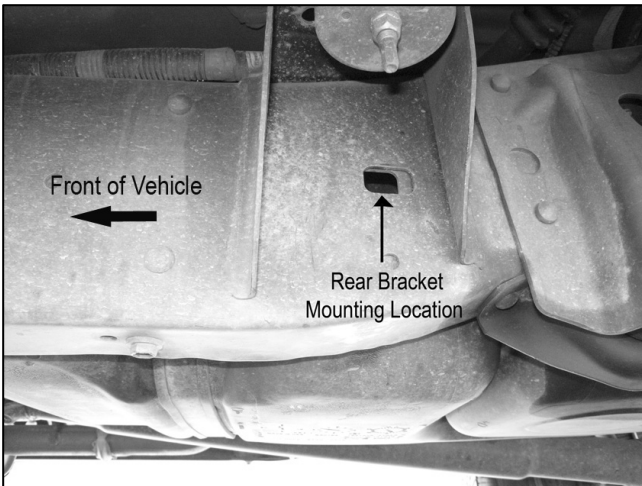
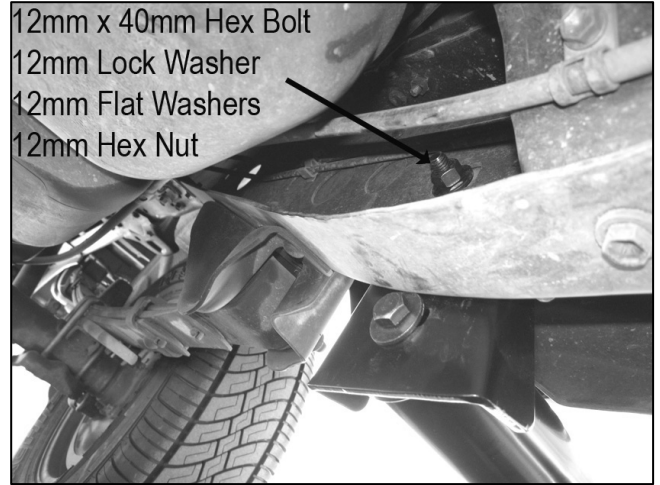
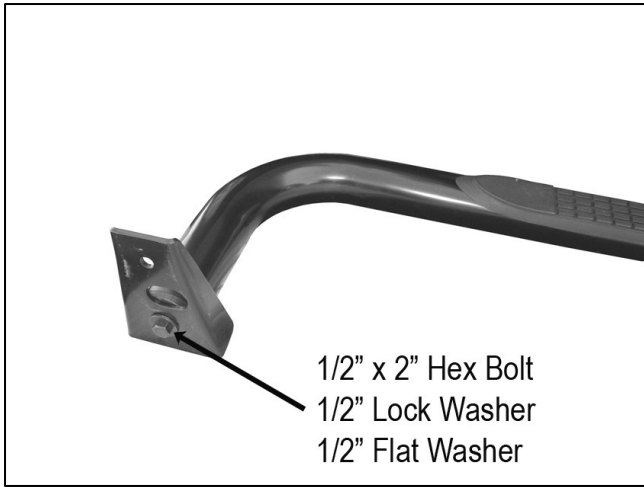
Westin

SIGNATURE OF QUALITY

AUTOMOTIVE PRODUCTS, INC.

INSTRUCTIONS—INSTRUCCIONES—CONSIGNES

APPLICATION: TOYOTA TUNDRA EXT CAB/4DR 99-06
Part # : 23-2510



Westin

SIGNATURE OF QUALITY

Westin Automotive Products, Inc.
5200 N. Irwindale Ave. Ste 220
Irwindale, Ca 91706

Thank You for choosing Westin products
For additional installation assistance please call
Customer Service (800)793-7846