



SIGNATURE OF QUALITY

AUTOMOTIVE PRODUCTS, INC.

INSTALLATION INSTRUCTION

Platinum Oval Wheel To Wheel Step Bar Set - Cab Mount Style
 Application: 2014+ Chevrolet Silverado 1500 & GMC Sierra 1500 Double & Crew Cab
 2015+ Chevrolet Silverado 2500/3500 & GMC Sierra 2500/3500 Double & Crew Cab
 Part Number: 24-54540/45, 24-54520/25, 24-54550/55
 24-54560/65, 24-54580/85

ITEM	QUANTITY	DESCRIPTION	TOOLS NEEDED
1	1	DRIVER SIDE STEP BAR (CLEAR WRAPPING)	RATCHET
2	1	PASSENGER SIDE STEP BAR (PINK WRAPPING)	3/4" SOCKET
3	2	FRONT MOUNTING BRACKET	21MM SOCKET
4	1	DRIVER SIDE CENTER MOUNTING BRACKET	5MM HEX KEY (INCLUDED)
5	1	PASSENGER SIDE CENTER MOUNTING BRACKET	
6	1	DRIVER SIDE REAR MOUNTING BRACKET	TORQUE WRENCH
7	1	PASSENGER SIDE REAR MOUNTING BRACKET	
8	2	1/2" X 2" HEX CAP SCREW	
9	2	1/2" SPLIT LOCK WASHER	
10	2	1/2" FLAT WASHER	
11	8	M10 X 35MM BUTTOM HEAD CAP SCREW (STAINLESS STEEL)	
12	8	M10 INTERNAL TOOTHED LOCK WASHER (STAINLESS STEEL)	
13	8	M10 FLAT WASHER (STAINLESS STEEL)	

ANTI-SEIZE LUBRICANT MUST BE USED ON ALL STAINLESS STEEL FASTENERS TO PREVENT THREAD DAMAGE AND GALLING

1. Remove contents from box, verify if all parts listed are present and free from damage. Carefully read and understand all instructions before attempting installation.
2. Start installation at the driver side. Locate the front cab mount. Remove the M14 body mount bolt from the cab mount. Install the front mounting bracket with the factory washer on the top side of the bracket. Do not fully tighten at this time. FIGURE 2
3. Repeat step 2 for the driver side center mounting bracket & the rear mounting bracket. Do not interchange the body mount bolts. They are sized specifically to each location.
4. Attach the driver side step bar assembly to the front mounting bracket using the provided 1/2" fasteners. FIGURE 3
5. The center mounting bracket is attached to the step bar using the provided (x2) M10 button head screws, (x2) lock washers, then (x2) flat washers. FIGURE 4
6. Repeat step 5 for attaching the step bar to the rear mounting bracket
7. Align the step bar as desired. The slots in the mounting brackets allow in & out adjustment.
8. The recommended torque values for each fastener type are as follows. M14 body mount bolts to 95 ft-lbs, 1/2" fasteners to 65 ft-lbs, and the M10 fasteners to 25 ft-lbs.
9. Repeat installation steps for the passenger side.

CARE INSTRUCTIONS

- REGULAR WAXING IS RECOMMENDED. DO NOT USE ANY TYPE OF POLISH OR WAX THAT MAY CONTAIN ABRASIVES
- STAINLESS STEEL PRODUCTS CAN BE CLEANED WITH MILD SOAP AND WATER. STAINLESS STEEL POLISH SHOULD BE USED TO POLISH SMALL SCRATCHES.
- GLOSS BLACK FINISHES SHOULD BE CLEANED WITH MILD SOAP AND WATER

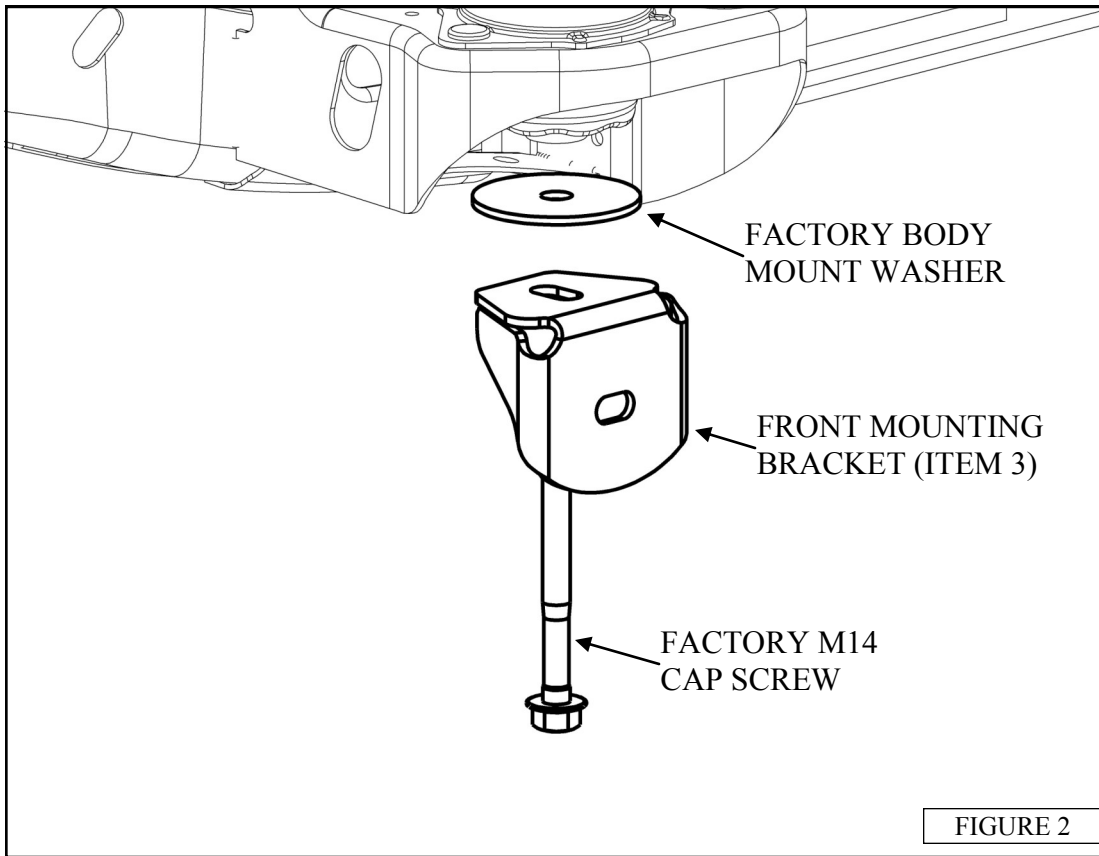
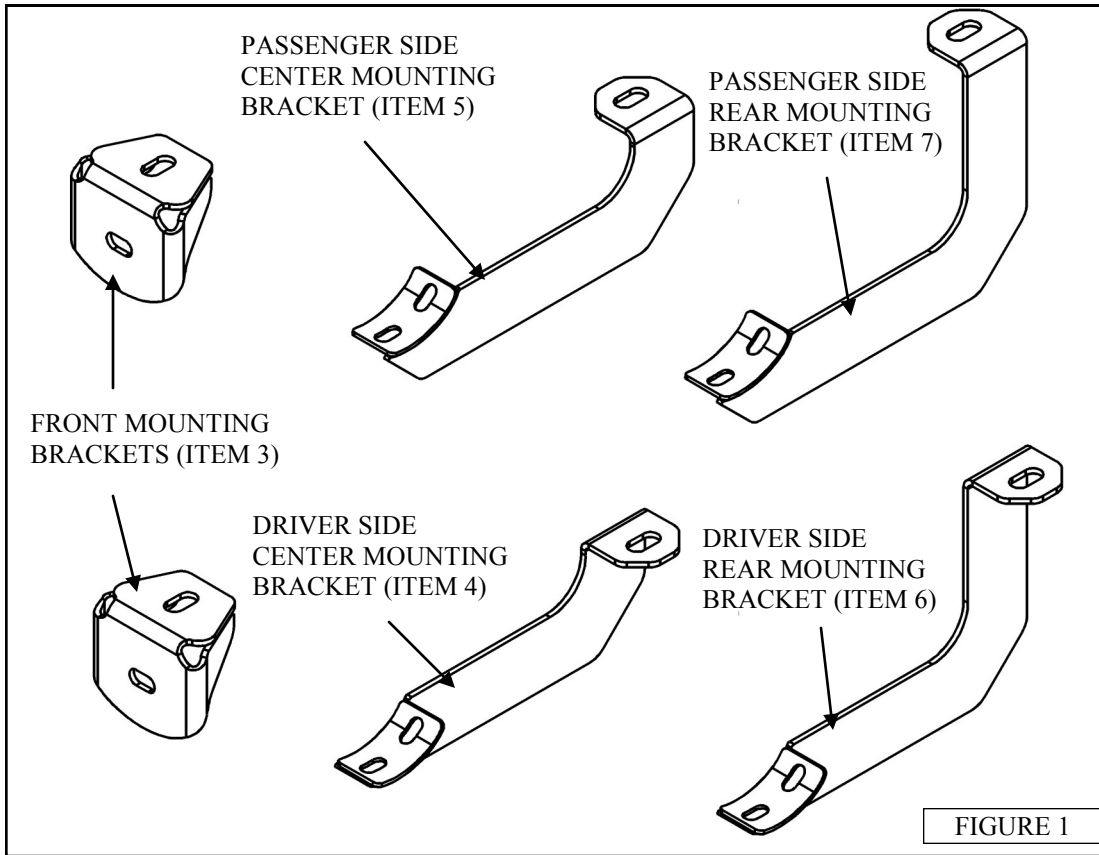


Westin Automotive Products, Inc.
 320 Covina Blvd
 San Dimas, Ca. 91773

Thank You for choosing Westin products
 For Additional installation assistance please call
 Customer service (800) 793-7846

www.westinautomotive.com

DATE: 7/21/2014



Westin Automotive Products, Inc.
 320 Covina Blvd
 San Dimas, Ca. 91773

Thank You for choosing Westin products
 For Additional installation assistance please call
 Customer service (800) 793-7846
www.westinautomotive.com

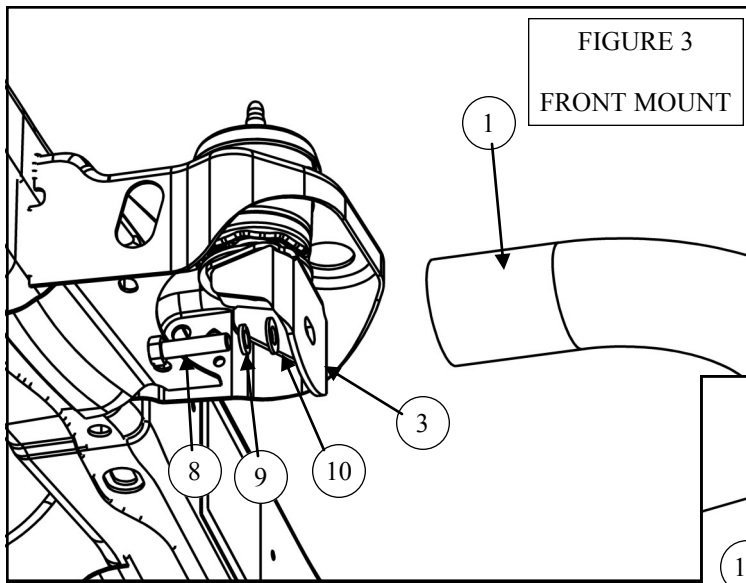


FIGURE 3
FRONT MOUNT

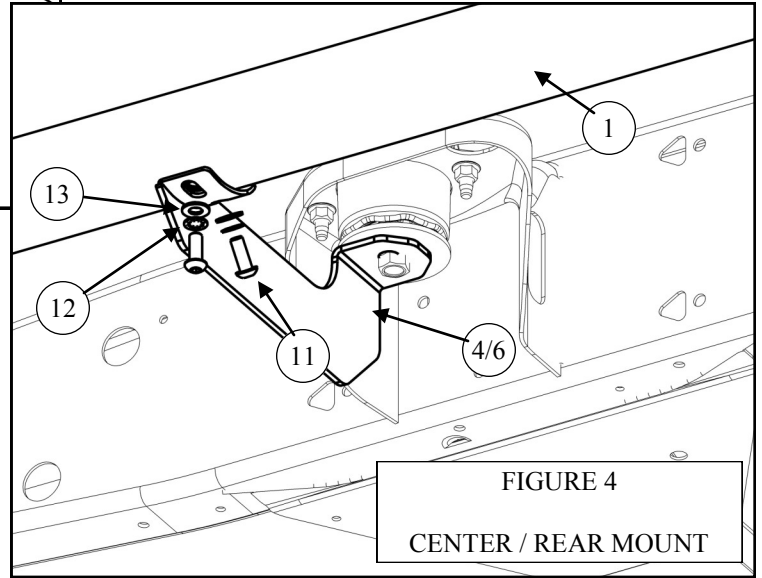


FIGURE 4
CENTER / REAR MOUNT



FIGURE 5

INSTALLATION COMPLETE



Westin Automotive Products, Inc.
320 Covina Blvd
San Dimas, Ca. 91773

Thank You for choosing Westin products
For Additional installation assistance please call
Customer service (800) 793-7846
www.westinautomotive.com