



3" Side Bar

Part No.1110160071/3

Fits: Chevy Suburban 1500 2007-2011

PARTS LIST:			
Qty	Part Description	Qty	Part Description
1 Set	Side Bars	10	½" Flat Washers
1 Set	Front Brackets	10	½" Split Lock Washers
1 Set	Rear Brackets	2	3/8"-16 x 1" Hex Head Bolts
14	8" Spacer Washer	2	3/8" Lock Washer
4	13 x 2" Hex Head Bolts	2	3/8" Flat Washer
6	M12-1.75x120mm Hex Head Bolt 120mm Hex Head Bolt		

TOLL FREE SUPPORT: 866 638 4870

Install Time : 30 – 60 Minutes
(Professional Installation)
Install Note :

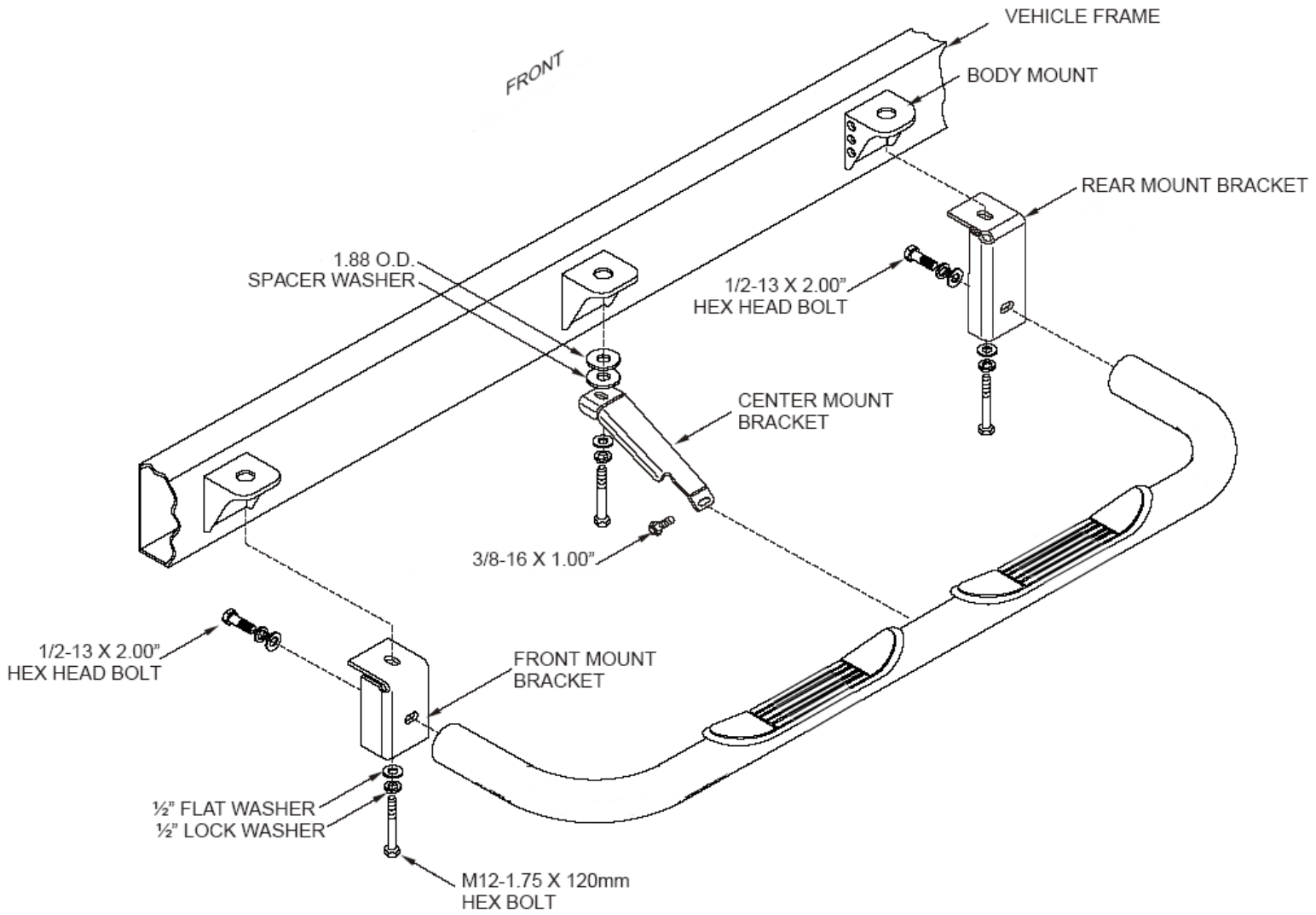
REMOVE CONTENTS FROM BOX. VERIFY ALL PARTS ARE PRESENT

READ INSTRUCTIONS CAREFULLY BEFORE STARTING INSTALLATION

INSTALLATION PROCEDURE

1. A magnetic pick up tool is recommended to assist with the installation process.
2. Remove the end caps on the side bars before beginning installation.
3. Locate the correct Side Bar and set of Brackets referenced to the illustration.
4. (Bracket Installation) Locate the existing bolts on the correct body mounts of the chassis. Remove them and install the brackets (See Illustration). Use the M12x1.75x120mm Hex Head Bolts with the ½" Flat and ½" Lock Washers. Do not tighten. (See Illustration). On the center bracket use (2) 1.88" spacer washers between the center bracket and the body mount.
5. (Side Bar Installation) Hold the side bar up to the front and rear brackets and install using the ½"-13 x 2" Hex Head Bolts with the ½" Flat and Lock Washers. (See Illustration). Attach the center bracket to the sidebar with the 3/8"-16x1" hex bolt, 3/8" lock washer and 3/8" flat washer.
6. Tighten the body mount bolts. Then align the Side Bar and tighten the Side Bar bolts. Tighten the ½" bolts to 65 ft. lbs. and the 3/8" bolts to 30 ft. lbs.
7. Recheck bolts periodically.

Driver's Side Installation Shown



Do periodic inspections to the installation to make sure that all hardware is secure and tight.

To protect your investment, wax this product after installing. Regular waxing is recommended to add a protective layer over the finish. Do not use any type of polish or wax that may contain abrasives that could damage the finish.

For stainless steel: Aluminum polish may be used to polish small scratches and scuffs on the finish. Mild soap may be used also to clean the Sidebar.

For gloss black finishes: Mild soap may be used to clean the Sidebar.

Keystone Automotive Operations Inc. (KAO) warrants this product to be free of defects in material and workmanship at the time of purchase by the original retail consumer. KAO disclaims any other warranties, express or implied, including the warranty of fitness for a particular purpose or an intended use. If the product is found to be defective, KAO may replace or repair the product at our option, when the product is returned prepaid, with proof of purchase. Alteration to, improper installation, or misuse of this product voids the warranty. KAO's liability is limited to repair or replacement of products found to be defective, and specifically excludes liability for any incidental or consequential loss or damage.