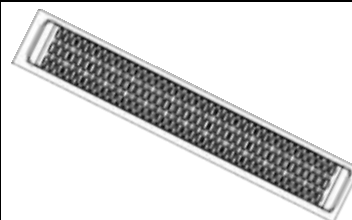




Aggressive Running Board -Van

Part No. ARBV004B



**Fits: 2007-2019 SPRINTER VAN
(INCLUDES MERCEDES, FREIGHTLINER AND DODGE)**



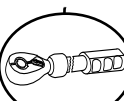
Excl. Passenger Van With Rear Air



REMOVE CONTENTS FROM BOX. VERIFY ALL PARTS ARE PRESENT.



READ INSTRUCTIONS CAREFULLY BEFORE STARTING INSTALLATION.



DO NOT OVER TORQUE. STANDARD OPERATING LOAD FOR TIGHTENING BODY MOUNT NUTS & BOLTS VARIES FROM 7 TO 8.5 FOOT POUND FOR M6, 18 TO 20 FOOT POUND FOR M8 AND 35 TO 40 FOOT POUND FOR M10



60-180 min



CUTTING NOT REQUIRED



DRILLING IS REQUIRED



support@trailfx.com



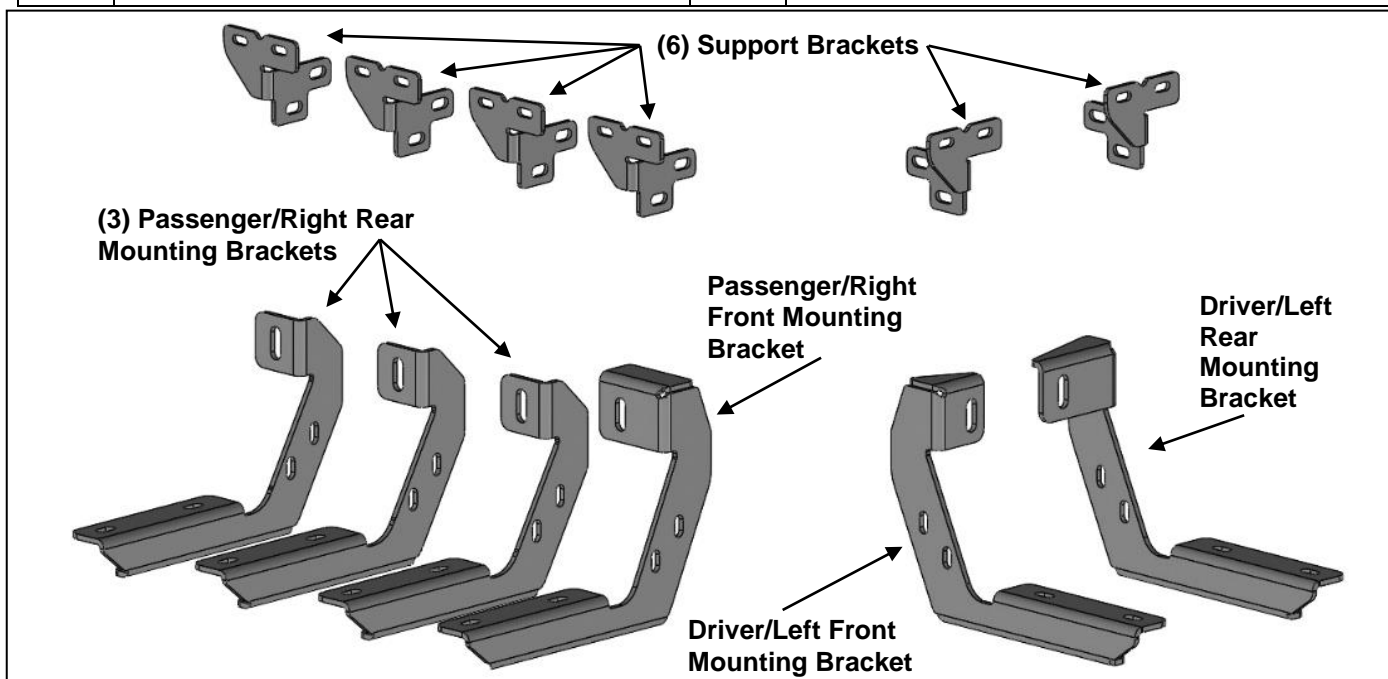
1 866 638 4870



WARRANTY POLISHED STAINLESS STEEL – LIMITED LIFETIME
POWDER COATED BLACK – 3 YEARS

PARTS LIST:

Qty	Part Description	Qty	Part Description
1	Driver/Left Aggressive Running Board	6	10mm Hex Nuts
1	Passenger/Right Aggressive Running Board	6	8-1.25mm x 30mm Double Bolt Plates
1	Driver/Left Front Mounting Bracket	12	8-1.25mm x 30mm Hex Bolts
1	Driver/Left Rear Mounting Bracket	36	8mm x 24mm OD x 2mm Flat Washers
1	Passenger/Right Front Mounting Bracket	24	8mm Lock Washers
3	Passenger/Right Mounting Brackets	24	8mm Hex Nuts
6	Support Brackets	12	6-1.25mm x 30mm Hex Bolts
6	10-1.5mm x 30mm Bolt Plates	24	6mm x 18mm OD x 1.6mm Flat Washers
6	10mm Plastic Retainers	12	6mm Lock Washers
6	10mm x 24mm OD x 2.2mm Flat Washers	12	6mm Hex Nuts
6	10mm Lock Washers		

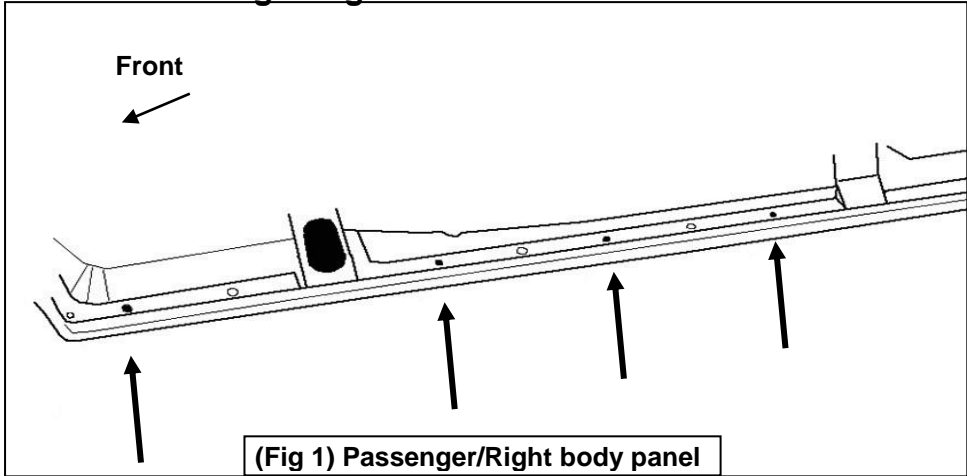


PROCEDURE:

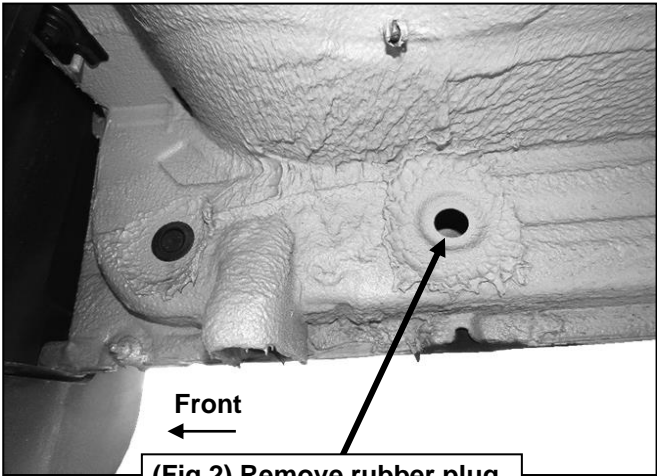
1. **REMOVE CONTENTS FROM BOX. VERIFY ALL PARTS ARE PRESENT. READ INSTRUCTIONS CAREFULLY BEFORE STARTING INSTALLATION. DRILLING IS REQUIRED. ASSISTANCE IS RECOMMENDED.**
2. Starting on the Passenger/Right side of the vehicle, locate the 2nd factory hole in the inner body panel from the front tire opening, **(Figures 1 & 2)**. Remove the rubber plug. **NOTE:** Mounting locations may be covered with heavy undercoating. Refer to **Figure 1** to find all mounting locations.
3. Select (1) 10mm Bolt Plate. Insert the Bolt Plate into the mounting hole. Thread (1) 10mm Plastic retainer onto the Bolt Plate to hold it in place, **(Figure 3)**.
4. Select the unique Passenger/Right Front Bracket. Attach the Bracket to the Bolt Plate with (1) 10mm Flat Washer, (1) 10mm Lock Washer and (1) 10mm Hex Nut, **(Figure 4)**. Do not tighten hardware.
5. Next, select (1) Support Bracket. Attach the Support Bracket to the front face of the Passenger/Right Front Mounting Bracket with (2) 8mm x 30mm Hex Bolts, (4) 8mm Flat Washers, (2) 8mm Lock washers and (2) 8mm Hex Nuts, **(Figure 5)**. Line up the mounting flange on the Support Bracket with the **outside** of the pinch weld, **(Figure 10)**. Do not tighten hardware.
6. Repeat **Steps 2—5** to attach the (3) Passenger/Right Mounting Brackets and (3) Support Brackets to the body panel, **(Figures 6—9)**.
7. Select the Passenger/Right Running Board. Place the Running Board on top of the (4) Brackets. Level and adjust the Running Board and fully tighten the Bracket to vehicle hardware only. Temporarily remove the Running Board.
8. Make sure the Brackets are level to the vehicle. Line up the slots on each Support Bracket with the outside of the pinch weld. Mark the location of the slots onto the pinch weld, **(Figure 10)**. **IMPORTANT:** Do not drill too close to the bottom edge of the pinch weld. Adjust Support Brackets and/or Mounting Brackets so that slots in Support Brackets are not too close to the bottom edge of the pinch weld. Once the Running Board and Brackets are properly adjusted and slot locations marked, remove the Running Board and Support Brackets. Use a 5/16" drill bit to drill the (2) holes through the pinch weld for each Support Bracket.
9. Attach each Support Bracket to the outside of the pinch weld with (2) 6mm Hex Bolts, (4) 6mm Flat Washers, (2) 6mm Lock Washers and (2) 6mm Hex Nuts, **(Figure 11)**. Repeat this Step to attach the remaining (3) Passenger/Right Support Brackets. Tighten the hardware attaching the Support Brackets to the vehicle only.
10. Select (4) 8mm Double Bolt Plates. Locate the channels in the bottom of the Running Board. Insert the Bolt Plates into the channels in the bottom of the Running Board closest to the Brackets, **(Figure 12)**. With assistance, guide the studs down through the Mounting Brackets.
11. Attach the Running Board to the Brackets with (8) 8mm Flat Washers, (8) 8mm Lock Washers and (8) 6mm Hex Nuts, **(Figure 13)**. **NOTE:** The Running Board is designed to fit close to the vehicle. It may be necessary to loosen the Bracket hardware and tilt the Brackets downward to insert the Running Board between the Brackets and the body. Level and adjust the Running Board and fully tighten all hardware.
12. Move to the Driver/Left side of the vehicle. Remove the overcoating and the rubber plugs from the 2nd and 3rd mounting location. Repeat **Steps 3—5** to attach the Driver/Left Front Mounting Bracket and (1) Support Bracket to the 2nd mounting location in the body panel, **(Figures 14—17)**. Do not tighten hardware at this time.
13. Repeat **Step 12** to attach the Driver/Left Rear Mounting Bracket and (1) Support Bracket to the 3rd mounting location on the body panel.
14. Select the Driver/Left Running Board. Repeat **Steps 7—11** to drill the pinch weld to attach the Support Brackets and Running Board.
15. Level and adjust the Driver/Left Running Board and tighten all hardware.
16. Do periodic inspections to the installation to make sure that all hardware is secure and tight.

To protect your investment, Do not use any type of polish or wax that may contain abrasives that could damage the finish. Use Mild soap to clean the Running Board.

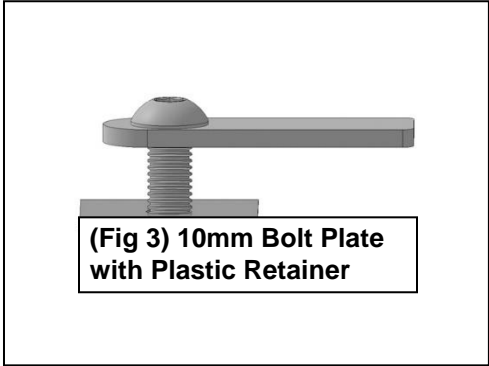
Passenger/Right Side Installation Pictured



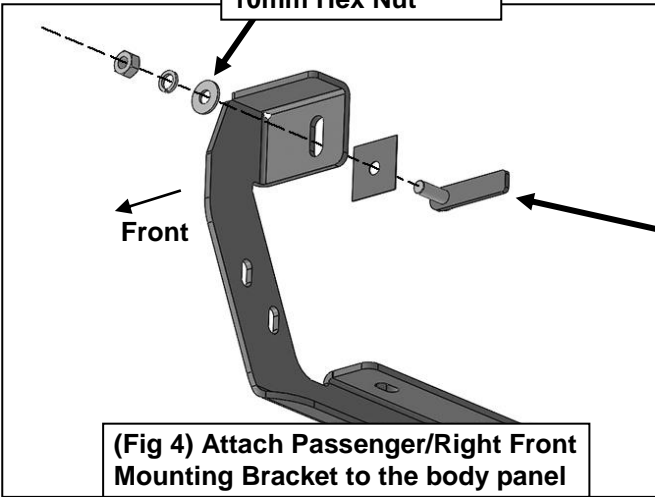
Passenger/Right Side Installation Pictured



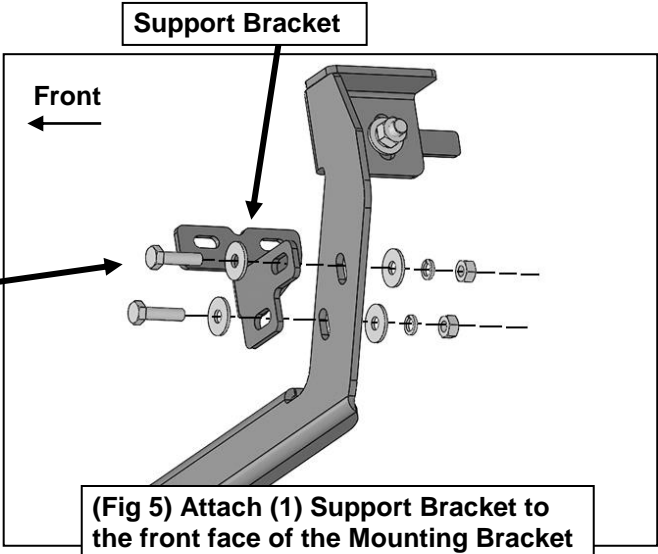
- 10mm Flat Washer
- 10mm Lock Washer
- 10mm Hex Nut



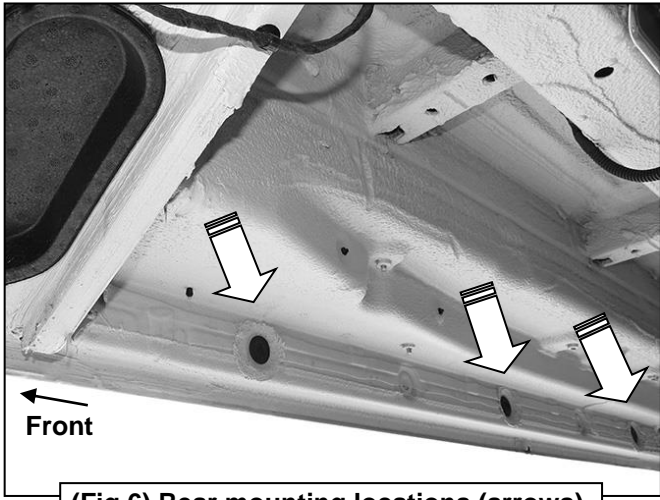
- 10mm Bolt Plate
- 10mm Plastic Retainer



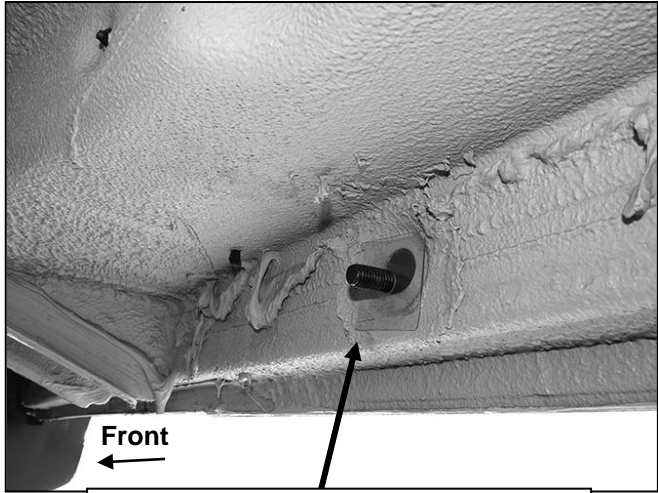
- (2) 8mm x 30mm Hex Bolts
- (4) 8mm Flat Washers
- (2) 8mm Lock Washers
- (2) 8mm Hex Nuts



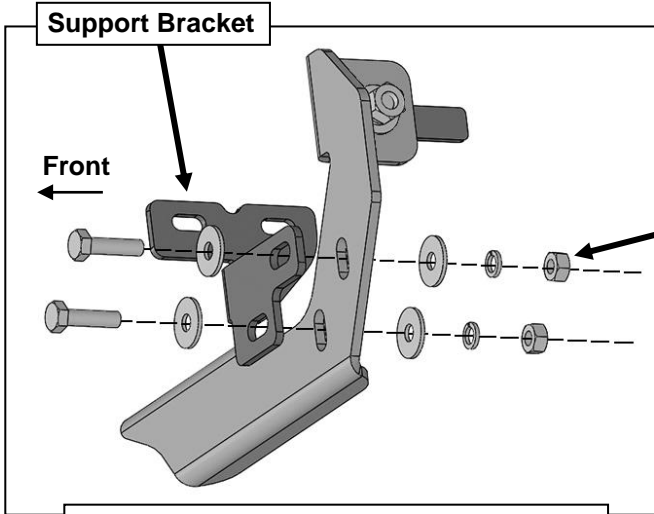
Passenger Side Installation Pictured



(Fig 6) Rear mounting locations (arrows)



(Fig 7) Bolt Plate with Plastic Retainer inserted in #2 mounting location



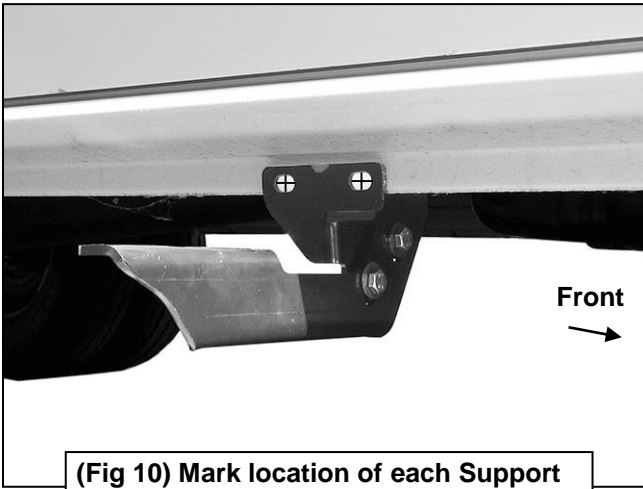
(Fig 8) Attach Support Brackets to the (3) rear Passenger/Right Mounting Bracket

- (2) 8mm x 30mm Hex Bolts
- (4) 8mm Flat Washers
- (2) 8mm Lock Washers
- (2) 8mm Hex Nuts



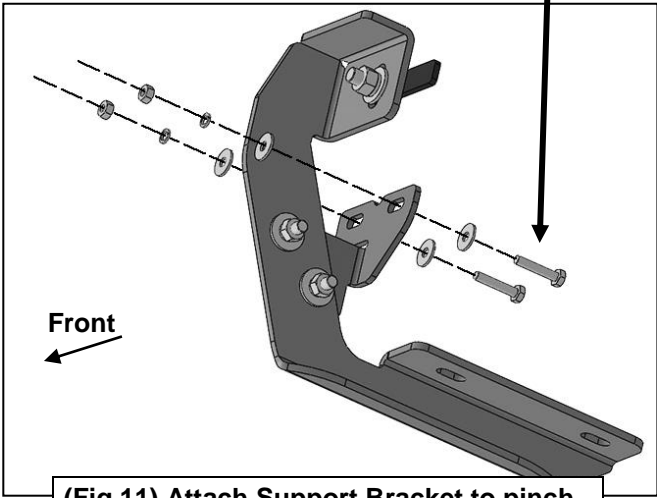
(Fig 9) Bolt Plates with Plastic Retainers installed in #3 and rear mounting locations (arrows)

Passenger Side Installation Pictured

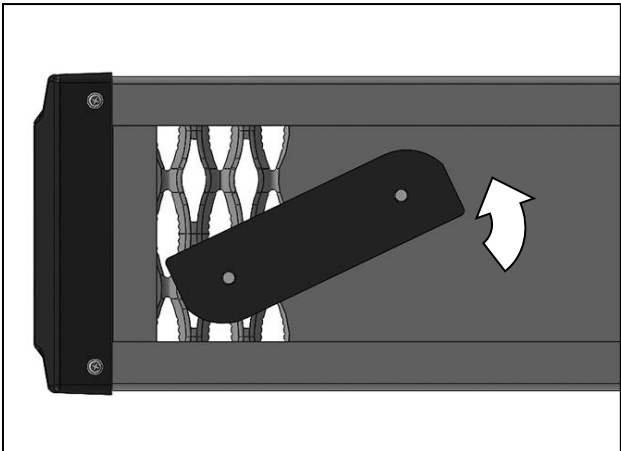


(Fig 10) Mark location of each Support Bracket onto pinch weld before drilling

- (2) 6mm Hex Bolts
- (4) 6mm x 18mm Flat Washers
- (2) 6mm Lock Washers
- (2) 6mm Hex Nuts

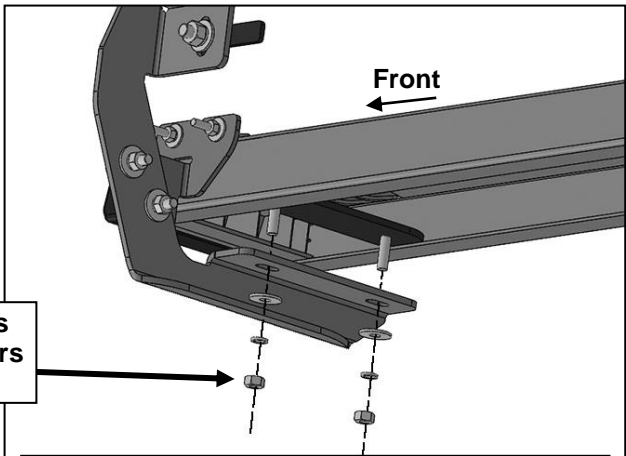


(Fig 11) Attach Support Bracket to pinch weld (passenger front Bracket illustrated)



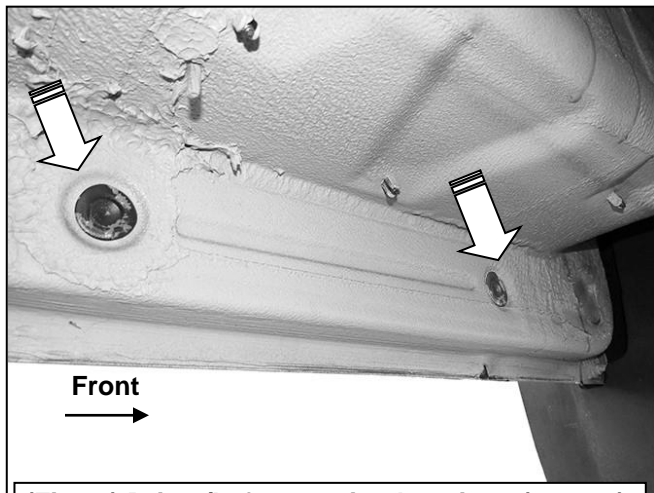
(Fig 12) Slide Double Bolt Plate into channels

- (2) 8mm Flat Washers
- (2) 8mm Lock Washers
- (2) 8mm Hex Nuts

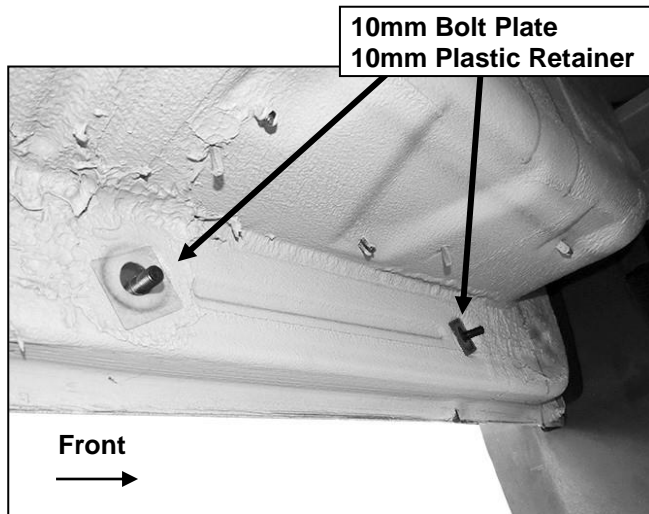


(Fig 13) Attach the Passenger/Right Running Board to the (4) Mounting Brackets

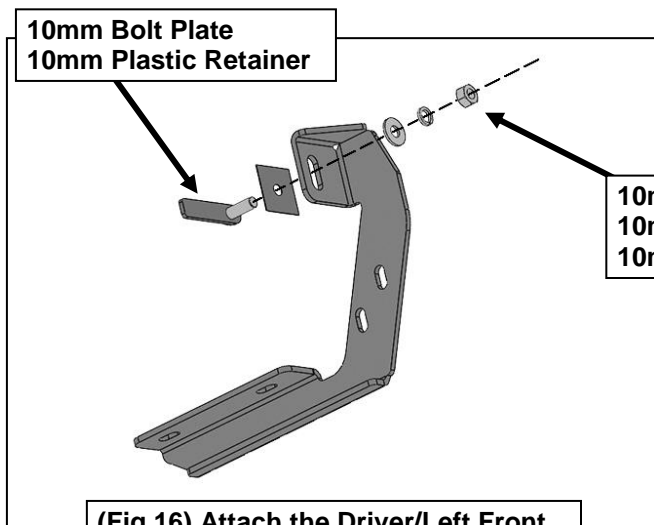
Driver Side Installation Pictured



(Fig 14) Driver/Left mounting locations (arrows)

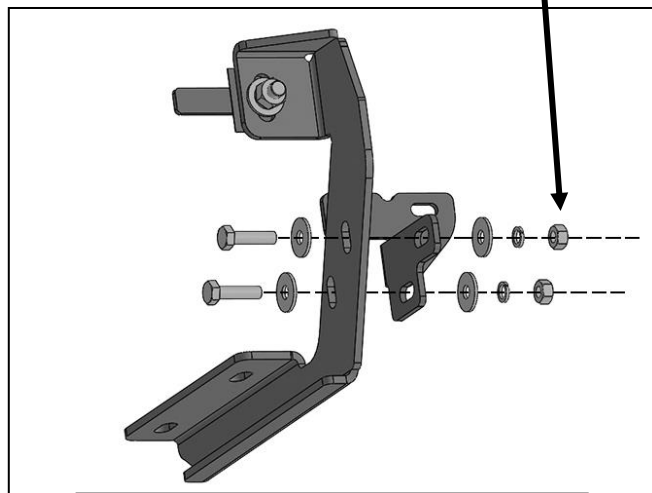


(Fig 15) Bolt Plates with Plastic Retainers inserted in Driver/Left front and rear mounting locations



(Fig 16) Attach the Driver/Left Front Mounting Bracket to the rocker panel

- (2) 8mm x 30mm Hex Bolts
- (4) 8mm Flat Washers
- (2) 8mm Lock Washers
- (2) 8mm Hex Nuts



(Fig 17) Attach (1) Support Bracket to the front face of the Mounting Bracket

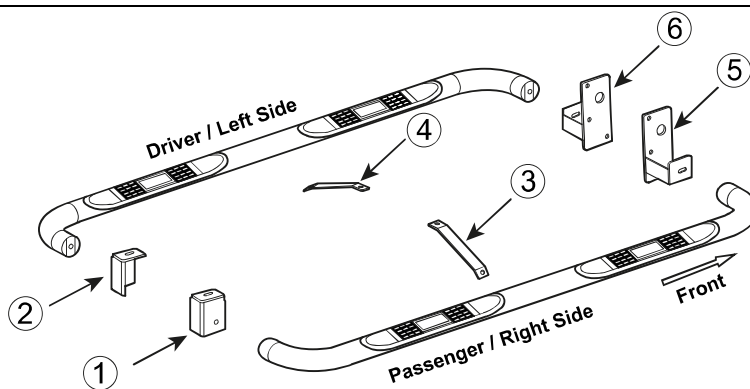
PARTS IDENTIFICATION GUIDE

Driver Side tube packed using "Green" color foam sheet. Passenger Side tube packed using "White" color foam sheet

No.	Parts Identification
1	Passenger / Right 'Rear' Bracket marked "PR"
2	Driver / Left 'Rear' Bracket marked "DR"
3	Passenger / Right 'Center' Bracket marked "PC"
4	Driver / Left 'Center' Bracket marked "DC"
5	Passenger / Right 'Front' Bracket marked "PF"
6	Driver / Left 'Front' Bracket marked "DF"

Note:

- > This guide is to identify the parts and not a reference for part count.
- > For part count, refer Parts List.
- > Product / Bracket image is representative and actual design may vary.

**PRODUCT CARE**

- Periodically check the product to ensure all fasteners are tight and components are intact.
- Regular waxing is recommended to protect the finish of the product.
- **Use ONLY Non-Abrasive automotive wax.** Use of any soap, polish or wax that contains an abrasive is detrimental and can scratch the finish leading to corrosion.
- Aluminum polish may be used to polish small scratches and scuffs for **Stainless Steel finish.**
- Mild soap may be used to clean the product for both **Stainless Steel and Black finish.**

FAQ's**1. Hardware's are not of correct size.**

In GMC / Chevrolet truck model 2006 & up, customer needs to reuse the factory body bolts to install the bracket. If your vehicle is not GMC / Chevrolet 2006 & up, ensure that holes are not partially covered with any plastic grommet or rust? If it is, remove the plastic grommet & rust from the thread holes & re-try the installation.

2. Mounting Bracket are not getting Installed properly.

In some cases Illustration images shown in Installation manual may not be the exactly same as per actual vehicle images ,also if Driver / Passenger side mounting brackets are very identical in the design, suggest referring Parts Identification guide to avoid fitment issue.

3. Products are thumping / rattling after installation.

Ensure that all required mounting brackets / hardware's are installed & tighten correctly. Suggest using white lithium / regular grease between the metal to metal contact surfaces.

4. Side Bar is not aligning with vehicle / Step Pads are not aligning with vehicle doors.

Side bar may be interchanged or mounting brackets are not installed at the correct position in the vehicle. Refer Parts identification guide.

5. Missing / Excess Hardware.

Recheck hardware count as per the part list.

6. Product not installing properly.

Ensure make model year, cab length and bed size of your vehicle is listed in the application. All installation steps are followed correctly.

Check out these other TrailFX Products!!

www.TrailFX.com



Keystone Automotive Operations Inc. (KAO) warrants this product to be free of defects in material and workmanship at the time of purchase by the original retail consumer. KAO disclaims any other warranties, express or implied, including the warranty of fitness for a particular purpose or an intended use. If the product is found to be defective, KAO may replace or repair the product at our option, when the product is returned prepaid, with proof of purchase. Alteration to, improper installation, or misuse of this product voids the warranty. KAO's liability is limited to repair or replacement of products found to be defective, and specifically excludes liability for any incidental or consequential loss or damage.