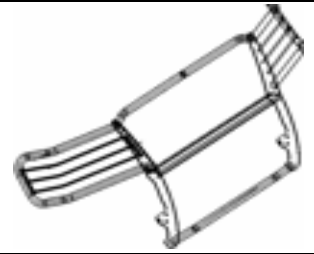




Grille Guard

Part No. 1540417983



Fits: 2000 - 2001
1998 - 2000

Nissan Xterra
Nissan Frontier



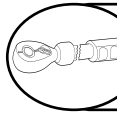
THE GRILLE GUARD MAY INTERFERE WITH PARKING SENSORS, PROXIMITY SENSORS AND CRUISE CONTROL SENSORS.



REMOVE CONTENTS FROM BOX. VERIFY ALL PARTS ARE PRESENT.



READ INSTRUCTIONS CAREFULLY BEFORE STARTING INSTALLATION.



DO NOT OVER TORQUE. STANDARD OPERATING LOAD FOR TIGHTEN BODY MOUNT NUTS & BOLTS VARIES FROM 45 TO 65 FOOT POUND.



60-180 min



Cutting Not Required



Drilling Not Required



support@trailfx.com



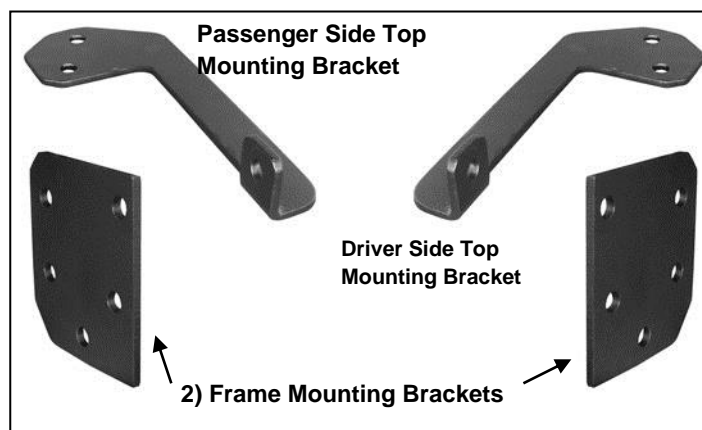
1 866 638 4870



POLISHED STAINLESS STEEL – LIMITED LIFETIME
POWDER COATED BLACK – 3 YEARS

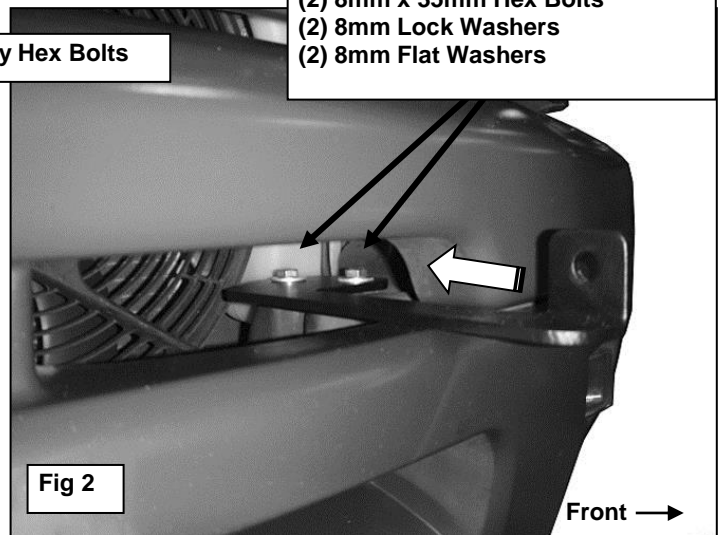
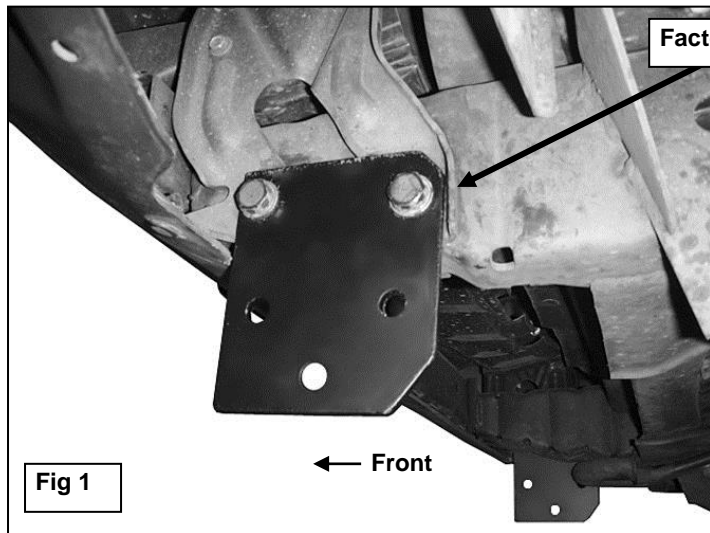
PARTS LIST:

Qty	Part Description	Qty	Part Description
1	Grille Guard	4	10mm ID x 20mm OD x 2mm Flat Washers
2	Frame Mounting Brackets	6	10mm Lock Washers
1	Driver/Left Top Bracket	6	10mm Hex Nuts
1	Passenger/Right Top Bracket	2	10mm Nylon Lock Nuts
6	10-1.5mm x 35mm Hex Bolts	4	8-1.25mm x 35mm Hex Bolts
2	10-1.50mm x 30mm Button Head Bolts	4	8mm Lock Washers
12	10mm ID x 27mm OD x 3mm Flat Washers	4	8mm x 24mm OD x 2mm Flat Washers

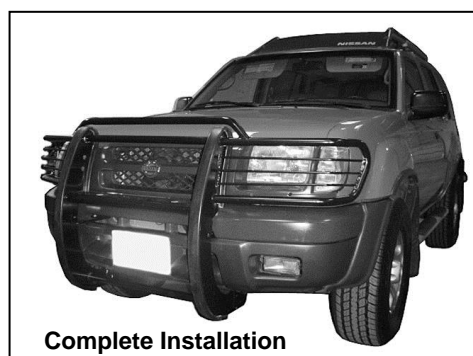
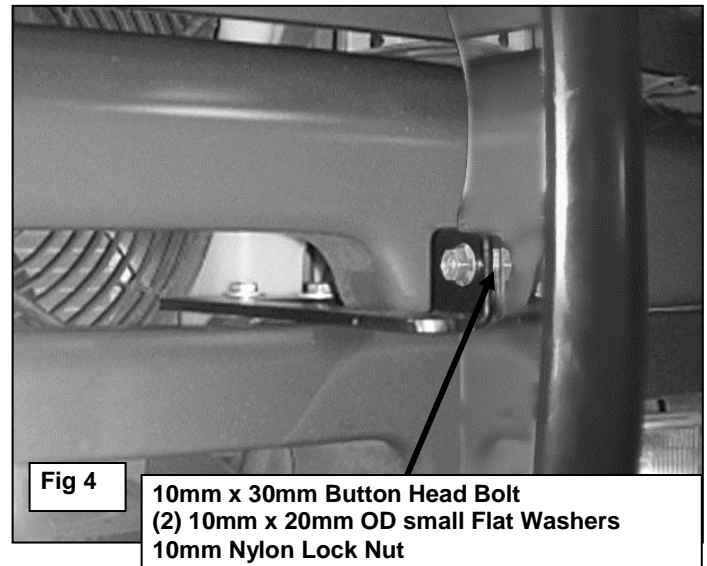
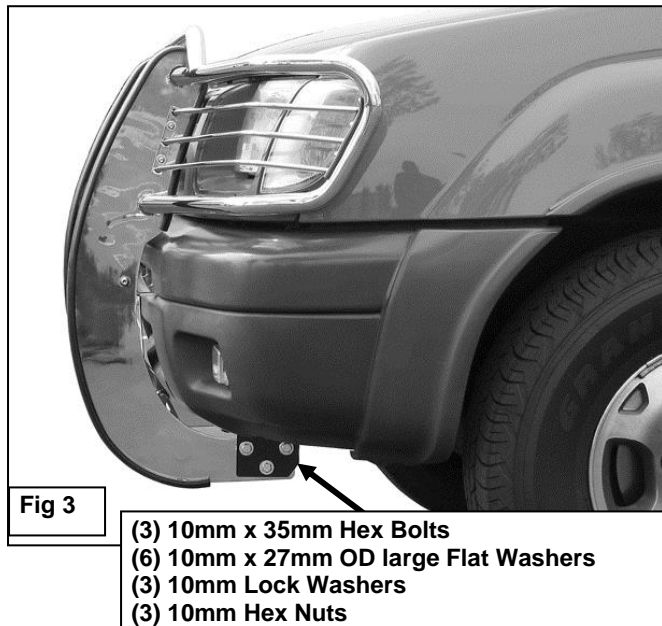


INSTALLATION PROCEDURE:

- From the under the driver side-front of the vehicle, remove the two factory hex bolts inserted through the front of the frame, (**Figure 1**). Select a Frame Mounting Bracket and line up the two top mounting holes with the two holes in the frame. Insert the factory hex bolts back through the Frame Mounting Bracket and frame. Secure with the factory washer and hex nut. Repeat this step for the passenger side Frame Mounting Bracket installation. Do not tighten hardware at this time.



2. With the hood open, locate and remove the two factory 8mm hex bolts located on the driver side-top of the frame/bumper bracket, **(Figure 2)**. Select the driver side Top Mounting Bracket and insert it through the opening in the bumper. Line up the two holes in the Mounting Bracket with the mounting location and secure with (2) 8mm x 35mm Hex Bolts, (2) 8mm Lock Washers and (2) 8mm Flat Washers, **(Figure 2)**. Snug but do not tighten hardware at this time. Repeat this step to install the passenger side Top mounting Bracket.
3. With assistance, position the Grille Guard up to the Mounting Brackets. Use the included (6) 10mm x 35mm Hex Bolts, (6) 10mm Lock Washers, (12) 10mm x 27mm OD large Flat Washers and (6) 10mm Hex Nuts to attach the Grille Guard to the Mounting Brackets, **(Figure 3)**. Snug but do not tighten hardware at this time.
4. Push the Grille Guard into position and attach it to the Top Brackets using (2) 10mm x 30mm Button Head Bolts, (4) 10mm x 20mm OD small Flat Washers and (2) 10mm Nylon Lock Nuts, **(Figure 4)**.
5. Level and adjust the Grille Guard properly and tighten all hardware.
6. Do periodic inspections to the installation to make sure that all hardware is secure and tight.



PRODUCT CARE

- Periodically check the product to ensure all fasteners are tight and components are intact.
- Regular waxing is recommended to protect the finish of the product.
- **Use ONLY Non-Abrasive automotive wax.** Use of any soap, polish or wax that contains an abrasive is detrimental and can scratch the finish leading to corrosion.
- Aluminum polish may be used to polish small scratches and scuffs for **Stainless Steel finish.**
- Mild soap may be used to clean the product for both **Stainless Steel and Black finish.**

FAQ's**1. Hardware's are not of correct size.**

In GMC / Chevrolet truck model 2006 & up, customer needs to reuse the factory body bolts to install the bracket. If your vehicle is not GMC / Chevrolet 2006 & up, ensure that holes are not partially covered with any plastic grommet or rust? If it is, remove the plastic grommet & rust from the thread holes & re-try the installation.

2. Mounting Bracket are not getting Installed properly.

In some cases Illustration images shown in Installation manual may not be the exactly same as per actual vehicle images ,also if Driver / Passenger side mounting brackets are very identical in the design, suggest referring Parts Identification guide to avoid fitment issue.

3. Products are thumping / rattling after installation.

Ensure that all required mounting brackets / hardware's are installed & tighten correctly. Suggest using white lithium / regular grease between the metal to metal contact surfaces.

4. Side Bar is not aligning with vehicle / Step Pads are not aligning with vehicle doors.

Side bar may be interchanged or mounting brackets are not installed at the correct position in the vehicle. Refer Parts identification guide.

5. Missing / Excess Hardware.

Recheck hardware count as per the part list.

6. Product not installing properly.

Ensure make model year, cab length and bed size of your vehicle is listed in the application. All installation steps are followed correctly.

Check out these other TrailFX Products!!

www.FX-Products.com



BULL BAR



GRILLE GUARDS



BED RAILS



RUNNING BOARDS

Keystone Automotive Operations Inc. (KAO) warrants this product to be free of defects in material and workmanship at the time of purchase by the original retail consumer. KAO disclaims any other warranties, express or implied, including the warranty of fitness for a particular purpose or an intended use. If the product is found to be defective, KAO may replace or repair the product at our option, when the product is returned prepaid, with proof of purchase. Alteration to, improper installation, or misuse of this product voids the warranty. KAO's liability is limited to repair or replacement of products found to be defective, and specifically excludes liability for any incidental or consequential loss or damage.