



**Assembly, Installation, Operation and
Maintenance Instructions
SIDE ARMOR STEPS**

**Part Number:
BR011T**

60 - 180 minutes

Dealer / Installer: Provide a copy of these instructions to the end user of this product. These instructions provide important operating and safety information for proper usage of this product. Demonstrate the proper use of the product with the end user. Have the end user demonstrate that they understand the proper use of the product.

End User: Read and follow all instructions included in this manual. Ask your Dealer / Installer for assistance if you do not understand the proper use of the product. Never remove any decals from the product. Failure to follow these instructions can result in injury or death.



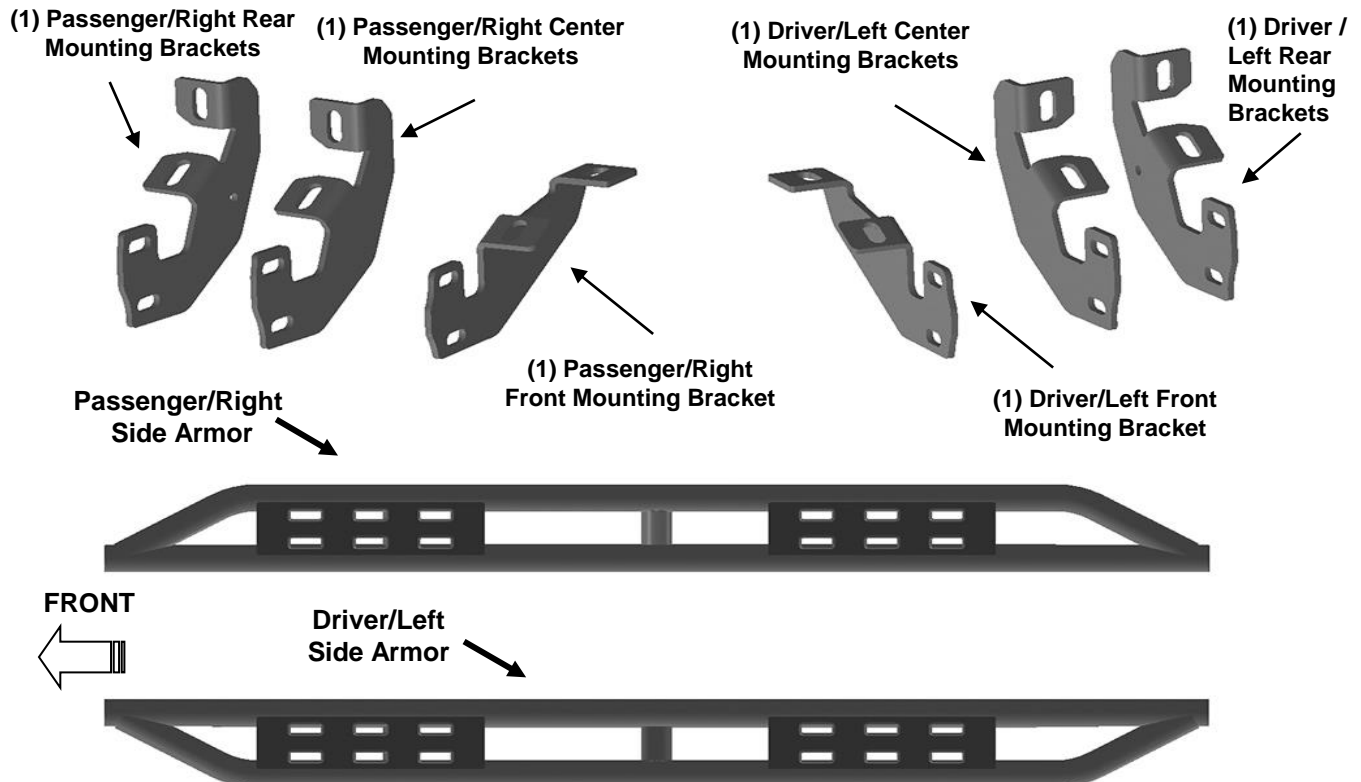
APPLICATION: 2021- 2022 FORD BRONCO 4DR

PARTS LIST

Qty	Part Description	Qty	Part Description
1	Driver/Left Side Armor	1	Passenger/Right Rear Mounting Bracket
1	Passenger/Right Side Armor	12	10-1.5mm x 35mm Hex Bolts
1	Driver/Left Front Mounting Bracket	12	10-1.5mm x 30mm Hex Bolts
1	Passenger/Right Front Mounting Bracket	12	10mm Lock Washers
1	Driver/Left Center Mounting Bracket	36	10mm x 27mm OD x 3mm Flat Washers
1	Passenger/Right Center Mounting Bracket	12	10mm Nylon Lock Nuts
1	Driver/ Left Rear Mounting Bracket		

TORQUE SPECIFICATION

Size	Torque
10 MM	34.5 ft/lbs



*Rear bracket has a small hole.

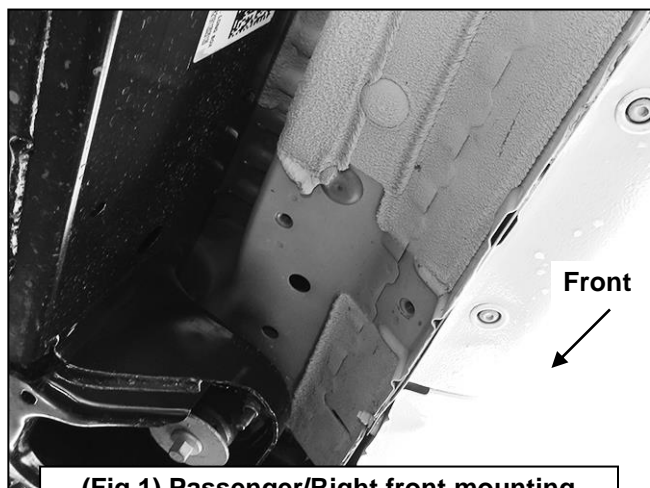
INSTALLATION PROCEDURE:

1. REMOVE CONTENTS FROM BOX. VERIFY ALL PARTS ARE PRESENT. READ INSTRUCTIONS CAREFULLY BEFORE STARTING INSTALLATION.
2. Starting from underneath the Passenger/Right side inner rocker panel, locate the threaded mounting holes in the rocker panel, (Figure 1). Remove the plastic plugs covering the mounting holes. Select the Passenger/Right Front Mounting Bracket, (Figure 2). Attach bracket to Passenger/Right front location with (2) 10mm x 30mm Hex Bolts, (2) 10mm Lock Washers and (2) 10mm Flat Washers, (Figures 2 & 3). Do not tighten hardware. Note: Rear bracket has a small hole.
3. Locate the Center and Rear threaded mounting holes. Select (1) Passenger/Right Center Mounting Bracket and (1) Passenger/Right Rear Mounting Bracket. Attach with (2) 10mm x 30mm Hex Bolts, (2) 10mm Lock Washers and (2) 10mm Flat Washers, (Figures 4—7). Do not tighten hardware.
4. Repeat Step 3 to install Rear Mounting Bracket, (Figures 6 & 8).
5. Select the Passenger/Right Side Armor. Use the illustration above to determine the correct side armor. Line up the Side Armor onto the front face of the (3) Mounting Brackets. Attach Side Armor to the brackets with (6) 10mm x 35mm Hex Bolts, (12) 10mm Flat Washers and (6) 10mm Nylon Lock Nuts, (Figures 9—12).
6. Level and adjust Side Armor and tighten all hardware.
7. Repeat Steps 2—6 for Driver/Left side installation.
8. Do periodic inspections to the installation to make sure that all hardware is secure and tight.

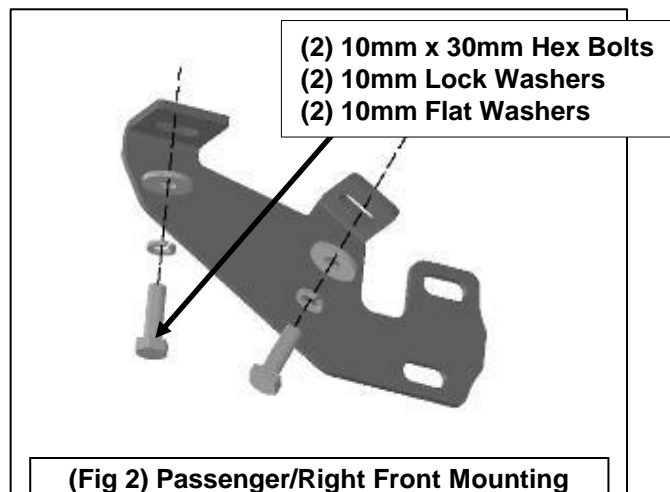
To protect your investment, Do not use any type of polish or wax that may contain abrasives that could damage the finish. Mild soap may be used also to clean Side Armor.

INSTALLATION IMAGES:

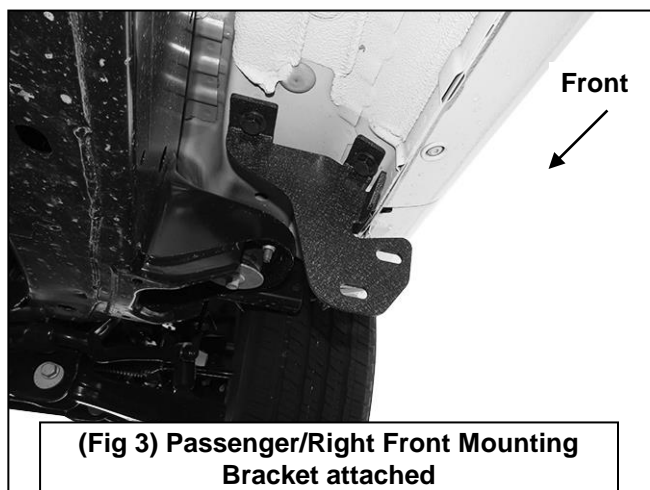
Passenger/Right Side Installation Pictured



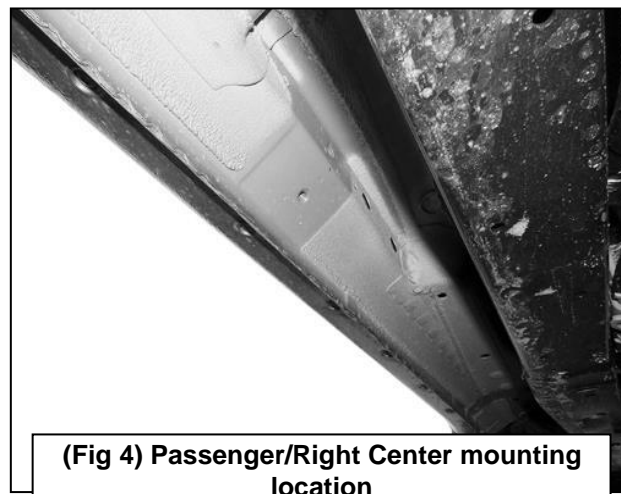
(Fig 1) Passenger/Right front mounting location



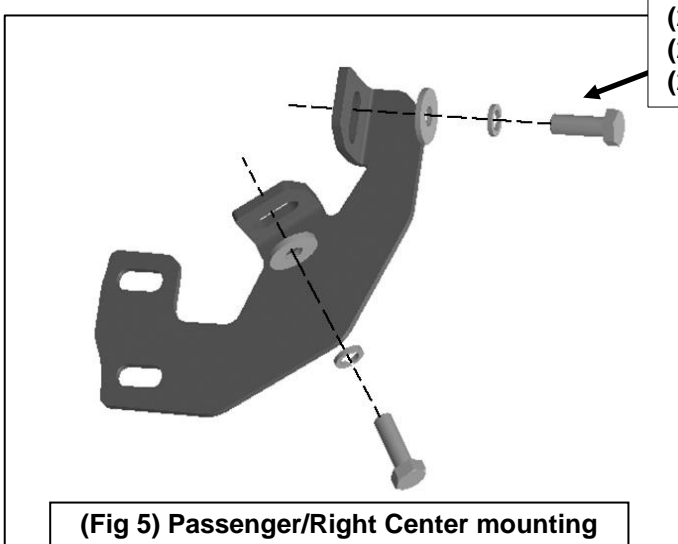
(Fig 2) Passenger/Right Front Mounting Bracket installation



(Fig 3) Passenger/Right Front Mounting Bracket attached

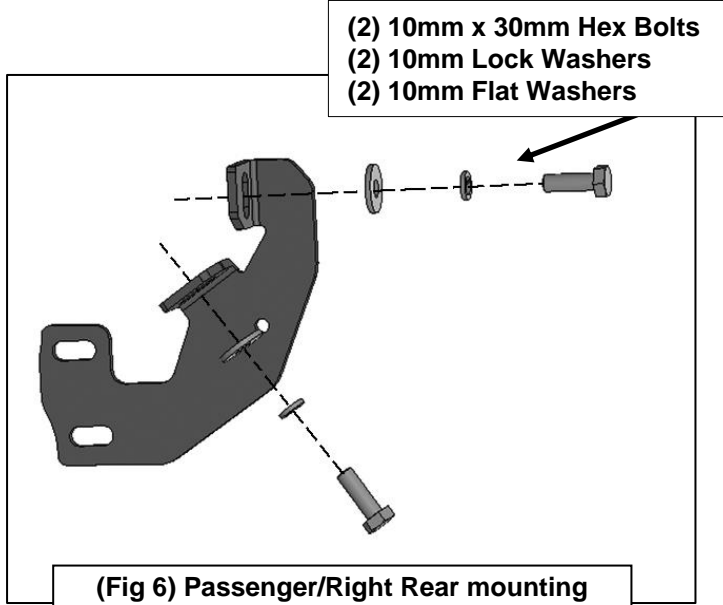


(Fig 4) Passenger/Right Center mounting location



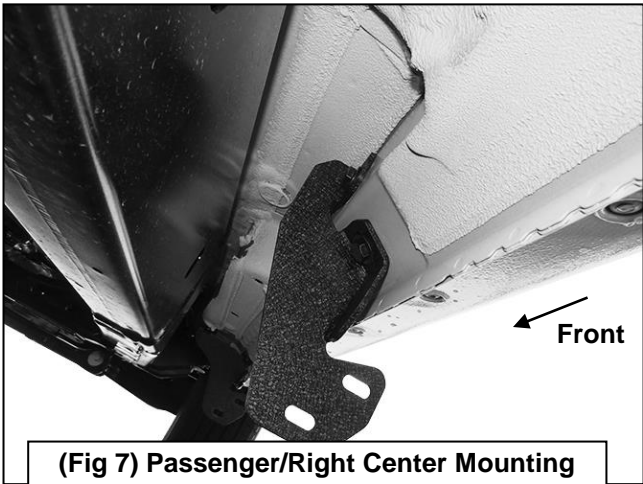
- (2) 10mm x 30mm Hex Bolts
- (2) 10mm Lock Washers
- (2) 10mm Flat Washers

(Fig 5) Passenger/Right Center mounting Bracket installation

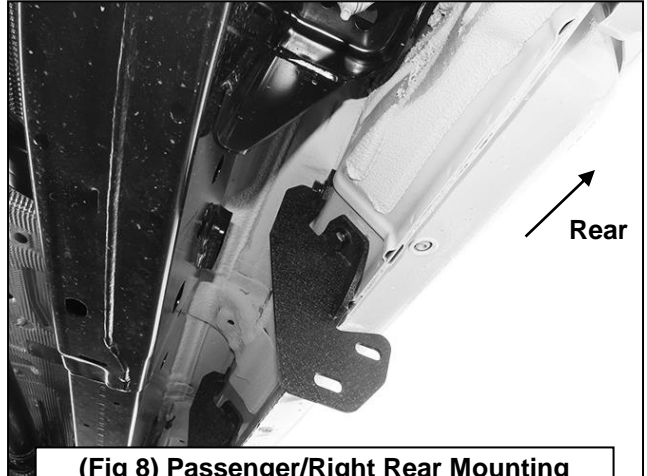


- (2) 10mm x 30mm Hex Bolts
- (2) 10mm Lock Washers
- (2) 10mm Flat Washers

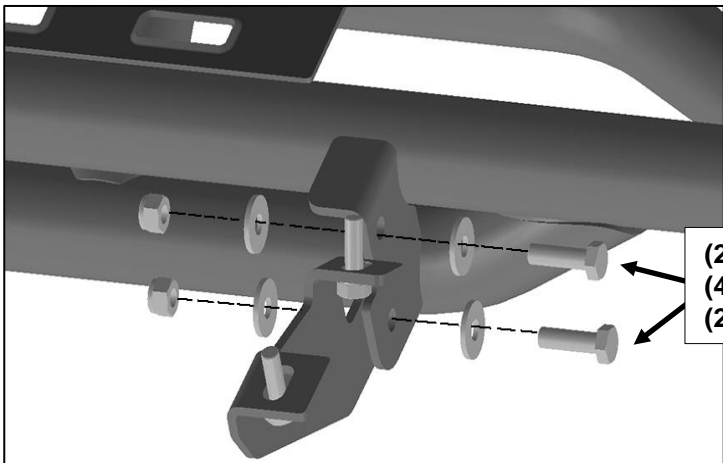
(Fig 6) Passenger/Right Rear mounting Bracket installation



(Fig 7) Passenger/Right Center Mounting Bracket installed

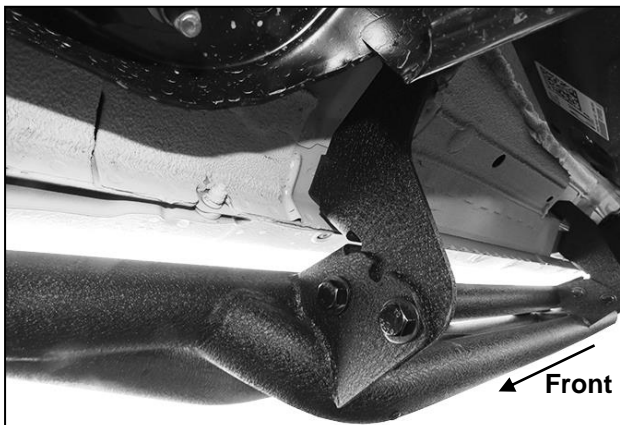


(Fig 8) Passenger/Right Rear Mounting Bracket installed

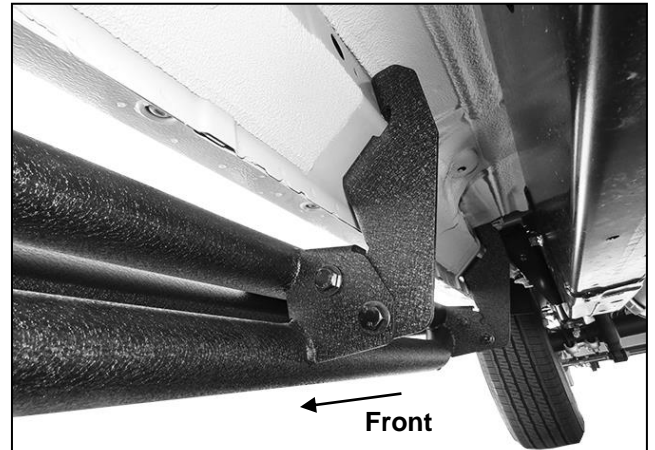


- (2) 10mm x 35mm Hex Bolts
- (4) 10mm Flat Washers
- (2) 10mm Nylon Lock Nuts

(Fig 9) Side Armor installation



(Fig 10) Passenger/Right Side Armor attached to Front Bracket



(Fig 11) Passenger/Right Side Armor attached to Center Bracket



(Fig 12) Passenger/Right Side Armor attached to Rear Bracket

PRODUCT CARE

- Periodically check the product to ensure all fasteners are tight and components are intact.
- Regular waxing is recommended to protect the finish of the product.
- Use **ONLY** Non-Abrasive automotive wax. Use of any soap, polish or wax that contains an abrasive is detrimental and can scratch the finish leading to corrosion.
- Mild soap may be used to clean the product for Black finish.

FAQ's

1. Hardware and mounting brackets are not aligning properly

Ensure that hardware is being used on the correct side of vehicle. In some cases, the hardware may appear the same for driver and passenger side but may alter the alignment of mounting location. Check mounting brackets for both sides.

2. Products are thumping / rattling after Installation

Ensure that all required mounting brackets / hardware's are installed & tightened correctly.

Suggest using white Lithium / regular grease between metal-to-metal contact.

3. Missing / Excess Hardware

Recheck hardware count as per the part list.

4. Product not installing properly

Ensure the Year / Make / Model as well as cab and bed dimensions are correct for the application. Review all steps for installation to ensure they were followed correctly.

5. Who should be contacted for questions regarding product / installation assistance?

www.trailfx.com / support@trailfx.com or 1-(866) 638-4870

Warranty Terms:

Black Powder Coated:

3 Year Limited Warranty

TrailFX and Keystone Automotive Operations Inc. make no guarantees or warranties for products not manufactured by Keystone Automotive Operations Inc. Such products are covered solely under any applicable warranty of the manufacturer. It is always recommended that the operating instructions and warranty instructions provided by the manufacturer are followed.

Keystone Automotive Operations Inc. warrants its products to be free from manufacturing and material defects to the original purchaser for the length of warranty stated above from the date of retail purchase. If any products are found to have a manufacturing or material defect, the product will be replaced or repaired at the option of TrailFX and Keystone Automotive Operations Inc. with proof of purchase by the original purchaser. The original purchaser shall pay all transportation and shipping costs associated with the return of the defective product and the defective product shall become the property of Keystone Automotive Operations Inc.

The Warranty applies to Keystone Automotive Operations Inc. products used for individual and recreational purposes. Commercial usage of the Keystone Automotive Operations Inc. products limits the warranty to 90-days from date of purchase.

The Warranty applies only to Keystone Automotive Operations Inc. products which are found to be defective in manufacturing or material. This warranty does not apply to normal wear and tear of the finish placed on Keystone Automotive Operations Inc. products.

TrailFX and Keystone Automotive Operations Inc. are not responsible for any labor costs incurred for removal or replacement of the defective product.

TrailFX and Keystone Automotive Operations Inc. are not responsible for repair or replacement of any product under the limited warranty where the product was improperly installed, misapplied, altered, abused, neglected, overloaded, misused or damaged as a result of an accident, including any use of the product not in accordance with all product operating and safety instructions.

Without limiting the generality of the foregoing, TrailFX and Keystone Automotive Operations Inc. shall under no circumstances be liable for any incidental or consequential loss or damage whatsoever arising out of, or in any way relating to any such breach of warranty or claimed defect in, or non-performance of the products. Some states do not allow the exclusion or limitation of incidental or consequential damages, so the above exclusion or limitation may not apply to you.

This limited warranty gives you specific legal rights, and you may also have other rights that vary from state to state.