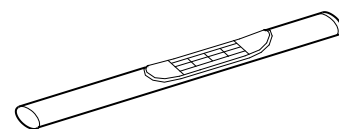




# 4" Oval Side Bar

Part No. 2920228021/3



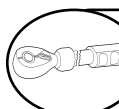
Fits: **2002-2008 Dodge Ram 1500-Regular Cab**  
**2003-2009 Dodge Ram 2500/3500-Regular Cab**



REMOVE CONTENTS FROM BOX. VERIFY ALL PARTS ARE PRESENT.



READ INSTRUCTIONS CAREFULLY BEFORE STARTING INSTALLATION.



DO NOT OVER TORQUE. STANDARD OPERATING LOAD FOR TIGHTEN BODY MOUNT NUTS & BOLTS VARIES FROM 45 TO 65 FOOT POUND.



30-60 min



Cutting Not Required



Drilling Not Required



support@trailfx.com



1 866 638 4870



POLISHED STAINLESS STEEL – LIMITED LIFETIME  
 POWDER COATED BLACK – 3 YEARS

### PARTS LIST:

Qty	Part Description	Qty	Part Description
1 Set	Oval step bar	14	M10 Flat Washer
1 Set	Front Bracket	12	M10 Lock Washer
1 Set	Rear Bracket	4	M10-1.5 Hex Nut
1 Set	Front Support Bracket	8	M10-1.5 x 30mm Button Head Bolt
2	M10-1.5 x 25mm Bolt Plate	2	M10 Plastic Washer (Square)
4	M12-1.75 x 120mm Hex Head Bolt	4	M12 Lock Washer
4	M12 Flat Washer	2	M10-1.5 x 30mm Hex Head Bolt

DRIVER (LEFT) FRONT



PASSENGER (RIGHT) FRONT

DRIVER (LEFT) FRONT SUPPORT



PASSENGER (RIGHT) FRONT SUPPORT

DRIVER (LEFT) REAR

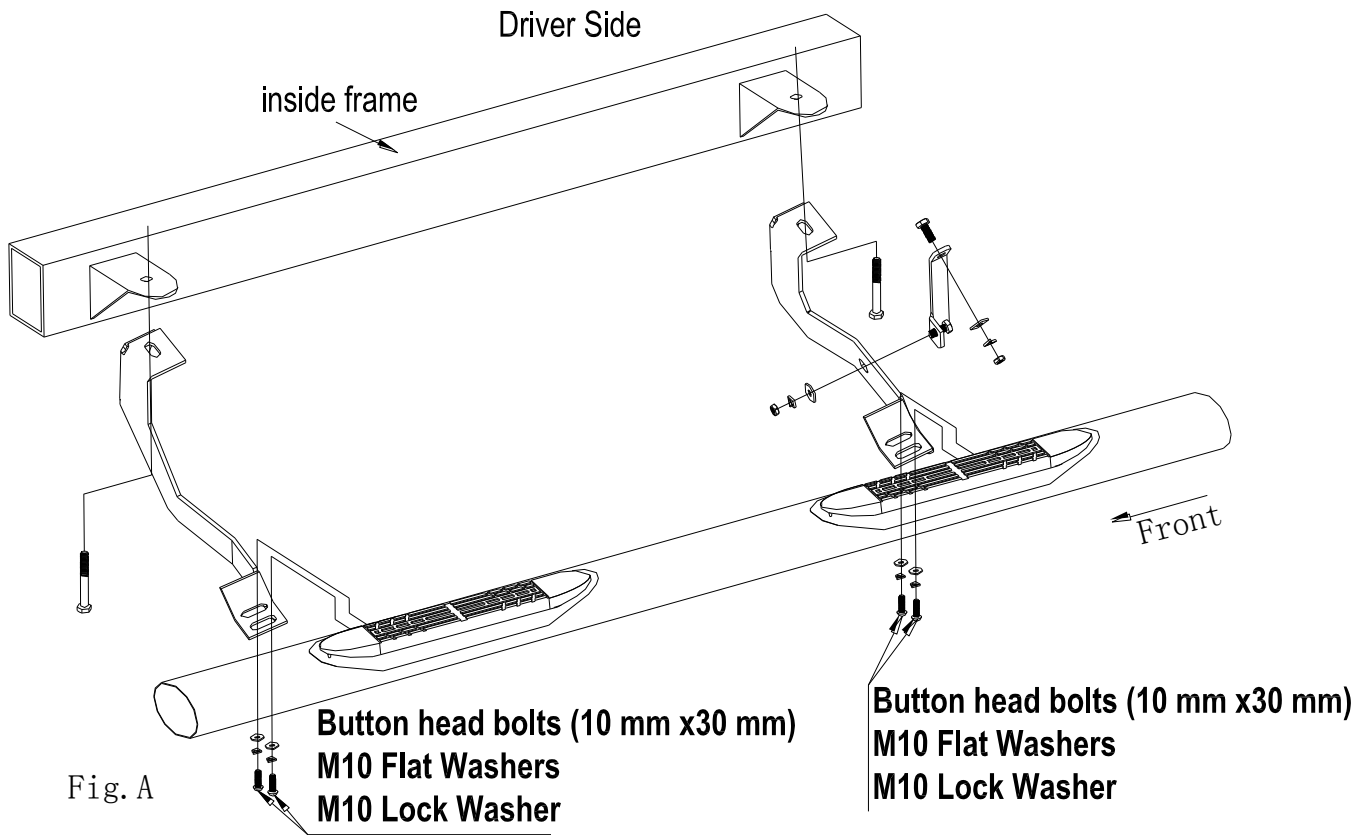


PASSENGER (RIGHT) REAR

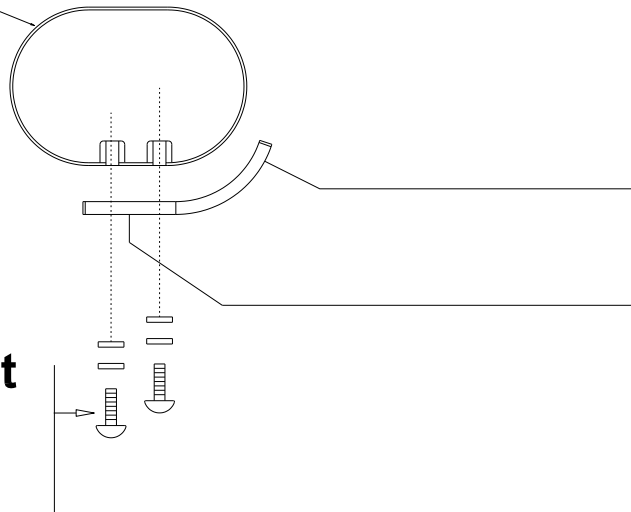
### INSTALLATION PROCEDURE

Remove existing body mount bolts as shown.

1. Install front and rear passenger brackets using M12-1.75 x 120mm Hex Bolt. Install center passenger bracket using spacer with M12-1.75 x 120 mm hex bolt.
2. Install support brace to front & rear bracket as shown. Attach support brace to vehicle body using.
3. Place passenger side step bar on brackets. Each step bar is marked driver and passenger.
4. Assemble with M10 button head bolts and M10 washers. 2 bolts per bracket, 4 bolts per bar.
5. Repeat installation for driver side.



STEP BAR



- M10X30 button head bolt
- M10 flat washer
- M10 lock washer

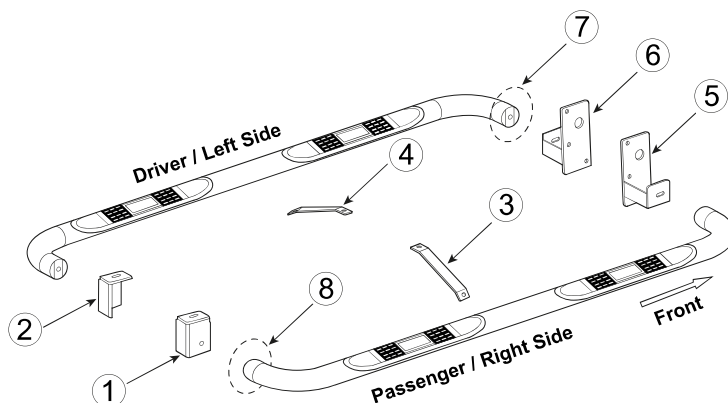
**PARTS IDENTIFICATION GUIDE**

*Driver Side tube taped in "Red" Color. Passenger Side tube taped in "Blue" Color.*

No.	Parts Identification
1	Passenger / Right 'Rear' Bracket marked "RR"
2	Driver / Left 'Rear' Bracket marked "RL"
3	Passenger / Right 'Center' Bracket marked "CR"
4	Driver / Left 'Center' Bracket marked "CL"
5	Passenger / Right 'Front' Bracket marked "FR"
6	Driver / Left 'Front' Bracket marked "FL"
7	'Left' marked "L"
8	'Right' marked "R"

**Note:**

- This guide is to identify the parts and not a reference for part count.
- Product / Bracket image is for representative purpose only.
- Actual design may vary based on application.
- Refer Parts List for Hardware.

**PRODUCT CARE**

- Periodically check the product to ensure all fasteners are tight and components are intact.
- Regular waxing is recommended to protect the finish of the product.
- **Use ONLY Non-Abrasive automotive wax.** Use of any soap, polish or wax that contains an abrasive is detrimental and can scratch the finish leading to corrosion.
- Aluminum polish may be used to polish small scratches and scuffs for **Stainless Steel finish.**
- Mild soap may be used to clean the product for both **Stainless Steel and Black finish.**

**FAQ's****1. Hardware's are not of correct size.**

*In GMC / Chevrolet truck model 2006 & up, customer needs to reuse the factory body bolts to install the bracket. If your vehicle is not GMC / Chevrolet 2006 & up, ensure that holes are not partially covered with any plastic grommet or rust? If it is, remove the plastic grommet & rust from the thread holes & re-try the installation.*

**2. Mounting Bracket are not getting Installed properly.**

*In some cases Illustration images shown in Installation manual may not be the exactly same as per actual vehicle images ,also if Driver / Passenger side mounting brackets are very identical in the design, suggest referring Parts Identification guide to avoid fitment issue.*

**3. Products are thumping / rattling after installation.**

*Ensure that all required mounting brackets / hardware's are installed & tighten correctly. Suggest using white lithium / regular grease between the metal to metal contact surfaces.*

**4. Side Bar is not aligning with vehicle / Step Pads are not aligning with vehicle doors.**

*Side bar may be interchanged or mounting brackets are not installed at the correct position in the vehicle. Refer Parts identification guide.*

**5. Missing / Excess Hardware.**

*Recheck hardware count as per the part list.*

**6. Product not installing properly.**

*Ensure make model year, cab length and bed size of your vehicle is listed in the application. All installation steps are followed correctly.*

Check out these other TrailFX Products!!

www.TrailFX.com



Keystone Automotive Operations Inc. (KAO) warrants this product to be free of defects in material and workmanship at the time of purchase by the original retail consumer. KAO disclaims any other warranties, express or implied, including the warranty of fitness for a particular purpose or an intended use. If the product is found to be defective, KAO may replace or repair the product at our option, when the product is returned prepaid, with proof of purchase. Alteration to, improper installation, or misuse of this product voids the warranty. KAO's liability is limited to repair or replacement of products found to be defective, and specifically excludes liability for any incidental or consequential loss or damage.