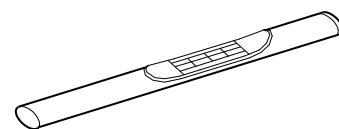




# 4" Oval Side Bar

## Part No. 2920222061/3



Fits: 2006-2009

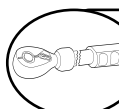
Dodge Ram Mega Cab



REMOVE CONTENTS FROM BOX. VERIFY ALL PARTS ARE PRESENT.



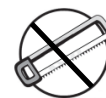
READ INSTRUCTIONS CAREFULLY BEFORE STARTING INSTALLATION.



DO NOT OVER TORQUE. STANDARD OPERATING LOAD FOR TIGHTEN BODY MOUNT NUTS & BOLTS VARIES FROM 45 TO 65 FOOT POUND.



30-60 min



Cutting Not Required



Drilling Not Required



support@trailfx.com



1 866 638 4870



POLISHED STAINLESS STEEL – LIMITED LIFETIME  
POWDER COATED BLACK – 3 YEARS

### PARTS LIST:

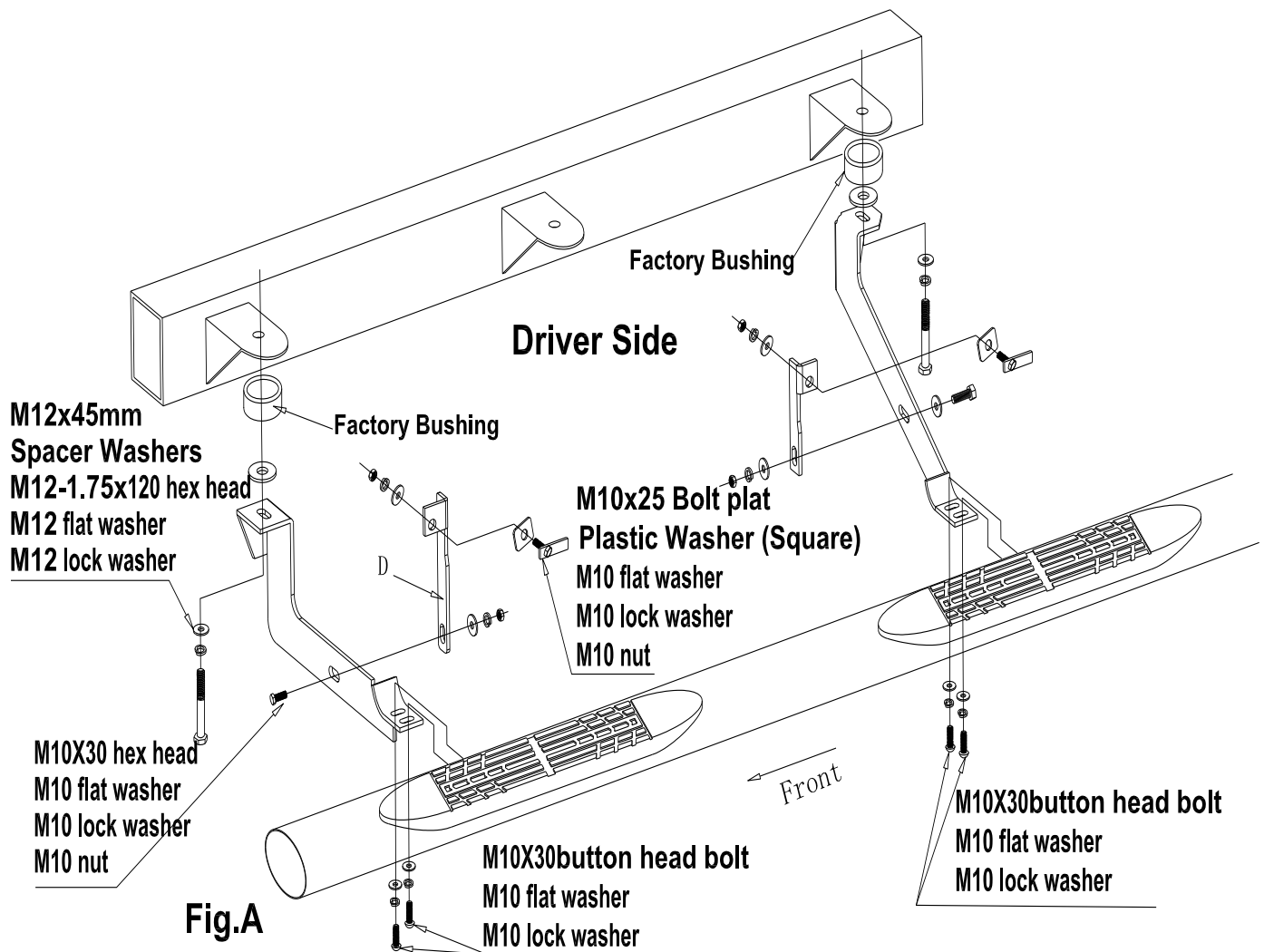
Qty	Part Description	Qty	Part Description
1 Set	oval step bar	4	M12 (Φ12xΦ45)mm Spacer Washer
1 Set	Front Bracket	4	M10-1.5 x 30mm Hex Head Bolt
1 Set	Rear Bracket	20	M10 Flat Washer
1 Set	Front Support Bracket	16	M10 Lock Washer
1 Set	Rear Support Bracket	8	M10-1.5 Hex Nut
4	M10-1.5x25mm Bolt plate	4	M10 Plastic Washer (Square)
4	M12-1.75 x 120mm Hex Head Bolt	8	M10-1.5 x 30mm Button Head Bolt
4	M12 Flat Washer	4	M12 Lock Washer

DRIVER (LEFT)FRONT	DRIVER (LEFT)REAR	PASSENGER (RIGHT)REAR	PASSENGER (RIGHT)FRONT
DRIVER (LEFT) FRONT SUPPORT	DRIVER (LEFT)REAR SUPPORT	PASSENGER (RIGHT)REAR SUPPORT	PASSENGER (RIGHT)FRONT SUPPORT

### INSTALLATION PROCEDURE

1. Read installation manual and installation drawing completely. Understand all brackets and bolts before installation.
2. Remove the body mount bolts from the front and rear body mounts underneath cab of truck and discard. (Keep the bushings) Loosely bolt front bracket to front body mount using the hex head bolts (1), lock (2), flat (3) washers and spacer (4) as shown. (See Fig. A.) (Make sure factory bushing is put on the same way is taken off.)
3. Loosely bolt rear brackets to rear body mounts using the hex head bolts(1),lock.

4. Insert T-bolt in front inside of pinch weld and hold in place with Push-nut (9). Mount front support brace to T-bolt using flat (6), lock (7) washers and hex head nut (8) as shown Fig. B. Attach front support brace to front bracket using hex bolt (5), flat (6) and lock (7) washers, and hex head nut (8) as shown in Fig. A. bushing is put on the same way is taken off.)
5. Insert T-bolt in rear inside of pinch weld and hold in place with Push-nut (9). Mount rear support brace to T-bolt using flat (6), lock (7) washers and hex head nut (8) as shown Fig. B. Attach rear support brace to rear bracket using hex bolt (5), flat (6) and lock (7) washers, and hex head nut (8) as shown in Fig. A.
6. Mount step bar to front and rear brackets using hex head bolt (10), lock (11) flat (12) washers and rubber gasket (13) as shown. Hand tightens into nut sort on the bottom of the step bar. Adjust position of step bar and tighten all bolts.
7. Torque the 10mm 1.5 bolts to 30ft/lbs, the 10mm-1.25 bolt.



Inside Eocker panel

- M10x25 Bolt plat**
- Plastic Washer (Square)**
- M10 flat washer
- M10 lock washer
- M10 nut

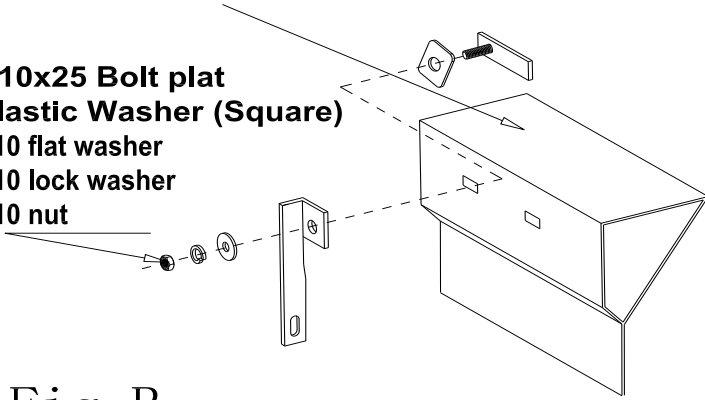
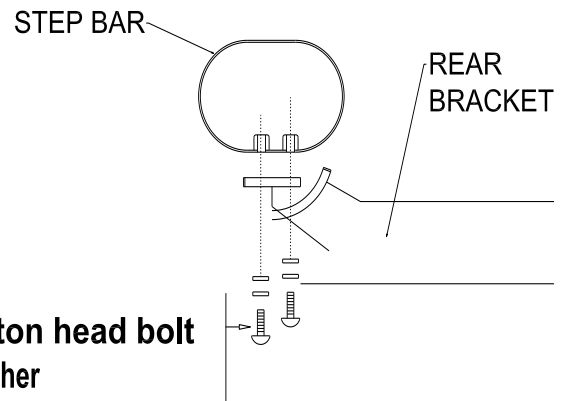


Fig. B



- M10X30button head bolt**
- M10 flat washer
- M10 lock washer

Fig. C

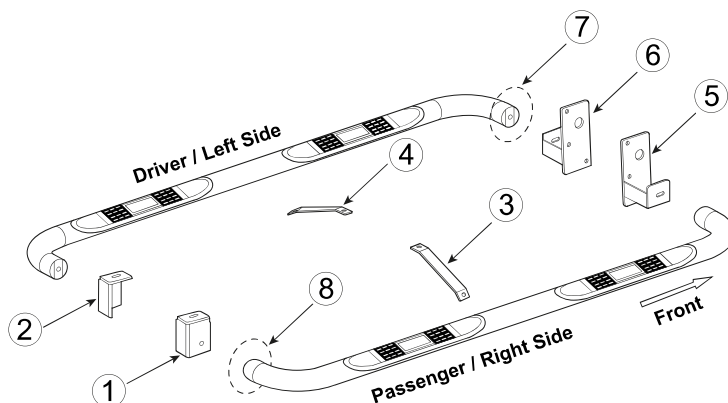
**PARTS IDENTIFICATION GUIDE**

*Driver Side tube taped in "Red" Color. Passenger Side tube taped in "Blue" Color.*

No.	Parts Identification
1	Passenger / Right 'Rear' Bracket marked "RR"
2	Driver / Left 'Rear' Bracket marked "RL"
3	Passenger / Right 'Center' Bracket marked "CR"
4	Driver / Left 'Center' Bracket marked "CL"
5	Passenger / Right 'Front' Bracket marked "FR"
6	Driver / Left 'Front' Bracket marked "FL"
7	'Left' marked "L"
8	'Right' marked "R"

**Note:**

- This guide is to identify the parts and not a reference for part count.
- Product / Bracket image is for representative purpose only.
- Actual design may vary based on application.
- Refer Parts List for Hardware.

**PRODUCT CARE**

- Periodically check the product to ensure all fasteners are tight and components are intact.
- Regular waxing is recommended to protect the finish of the product.
- **Use ONLY Non-Abrasive automotive wax.** Use of any soap, polish or wax that contains an abrasive is detrimental and can scratch the finish leading to corrosion.
- Aluminum polish may be used to polish small scratches and scuffs for **Stainless Steel finish.**
- Mild soap may be used to clean the product for both **Stainless Steel and Black finish.**

**FAQ's****1. Hardware's are not of correct size.**

*In GMC / Chevrolet truck model 2006 & up, customer needs to reuse the factory body bolts to install the bracket. If your vehicle is not GMC / Chevrolet 2006 & up, ensure that holes are not partially covered with any plastic grommet or rust? If it is, remove the plastic grommet & rust from the thread holes & re-try the installation.*

**2. Mounting Bracket are not getting Installed properly.**

*In some cases Illustration images shown in Installation manual may not be the exactly same as per actual vehicle images ,also if Driver / Passenger side mounting brackets are very identical in the design, suggest referring Parts Identification guide to avoid fitment issue.*

**3. Products are thumping / rattling after installation.**

*Ensure that all required mounting brackets / hardware's are installed & tighten correctly. Suggest using white lithium / regular grease between the metal to metal contact surfaces.*

**4. Side Bar is not aligning with vehicle / Step Pads are not aligning with vehicle doors.**

*Side bar may be interchanged or mounting brackets are not installed at the correct position in the vehicle. Refer Parts identification guide.*

**5. Missing / Excess Hardware.**

*Recheck hardware count as per the part list.*

**6. Product not installing properly.**

*Ensure make model year, cab length and bed size of your vehicle is listed in the application. All installation steps are followed correctly.*

Check out these other TrailFX Products!!

www.TrailFX.com



Keystone Automotive Operations Inc. (KAO) warrants this product to be free of defects in material and workmanship at the time of purchase by the original retail consumer. KAO disclaims any other warranties, express or implied, including the warranty of fitness for a particular purpose or an intended use. If the product is found to be defective, KAO may replace or repair the product at our option, when the product is returned prepaid, with proof of purchase. Alteration to, improper installation, or misuse of this product voids the warranty. KAO's liability is limited to repair or replacement of products found to be defective, and specifically excludes liability for any incidental or consequential loss or damage.