

Titan PN: 02 0000 0458



INSTALLATION INSTRUCTIONS

Ford Cab and Chassis Auxiliary Kit
9900029

Parts List:

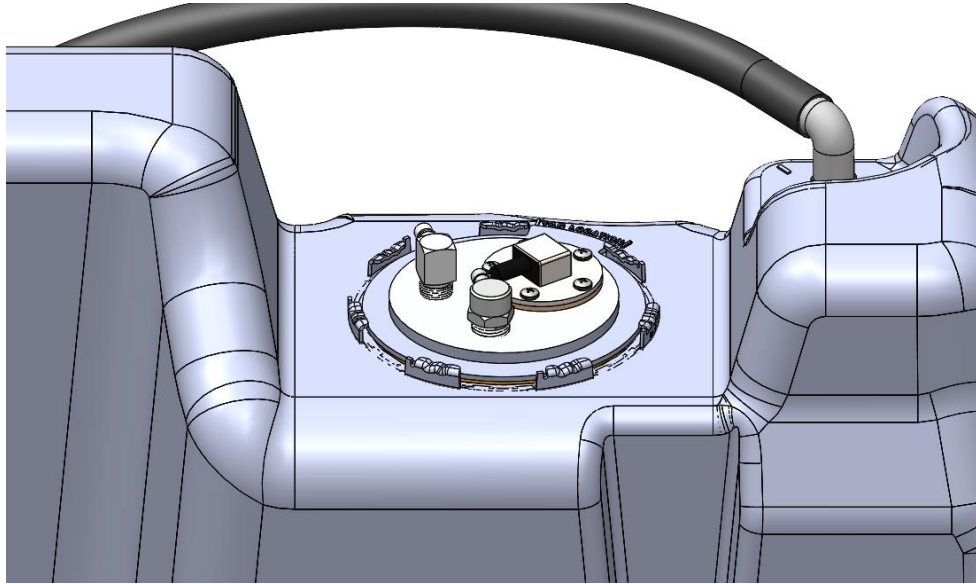
Description	Part Number	Quantity
Sending Unit: 0201560000		1
Rollover valve, Norgren	98 0115 0000	1
15" Withdraw Tube Fitting, 3/8 NPT	99 0000 0745	1
Level Sensor, 15", SAE 5 Hole Pattern	02 0000 0431	1
Level Sensor Screws	02 0000 0423	5
Auxiliary Sending Unit Plate	02 0000 0219	1
Wire kit: 0201570000		1
18 AWG Black Wire, 28'	02 0000 0461	2
18 AWG Purple Wire, 28'	02 0000 0462	1
18 AWG Blue Wire, 28'	02 0000 0463	1
18 AWG Crimp Insulated Ring Terminal, 3/8" stud	99 0000 0204	3
18 AWG Heat-Shrink Butt-Splice Terminal	99 0000 0203	6
QTM Fues Tap	99 0000 0487	1
1/4" ID Wire Loom, Black Polyethelene, 28'	02 0000 0464	1
Locking Torque Ring - Top	98 0000 0403	1
18 Ga. Blade Quick-Disconnect Terminal	99 0000 0489	1
Pump Kit: 0201600000		
Ford Chassis Pump Clamps Sub-KIT: 0201580000		1
In-Line Solenoid Pump Assembly	99 0000 0521	1
In-Line Solenoid Pump	99 0000 0370	1
1/8" NPT to 3/8" Hose Barb Adapter, Gray Kynar	99 0000 0403	2
Electronic Pump Controller Assembly	99 0000 0525	1
Electronic Controller	99 0130 0000	1
Adhesive Backed Velcro, 2 inches long	99 0000 0283	1

Hose Sub Kit: 0201590000		1
In-Line-Filter with 3/8" Hose Barbs	99 0000 0405	1
5/16" RLA Fuel Hose, 10 Foot Length	02 0000 0457	1
3/8" RLA Fuel Hose, 10 Foot Length	02 0000 0453	1
Fill Neck Adapter - 1.5" double tee	99 0000 0173	1
1/2" NPT to 5/16" elbow	02 0000 0451	1
1/2" NPT to 3/8" elbow	02 0000 0454	1
#28 Hose Clamp	99 0000 0438	2
#4 Hose Clamp with 5/16" Band Width	99 0000 0483	8

Note: Due to the huge variety of truck bodies in use, this system does not include a fill neck kit for the rear auxiliary tank. These can be obtained from TITAN Fuel Tanks, your Ford dealer, or in some cases the truck body manufacturer. Be sure to obtain the proper filler neck to fit your vehicle and application.

I. Prepare & Install Auxiliary Tank

Step	Description
1	Before ANY INSTALLATION BEGINS INVENTORY ALL ITEMS IN KIT. Do not start Installation until you are 100% certain all Items are accounted for.
2	Pull truck onto lift. Make sure that the lift you are using can hold the full weight of the truck. Many C&C trucks are upfitted with components that cause them to be too heavy for some commercial lifts. If you do not have a lift capable of lifting the truck, installation can be completed on the ground.
3	The new TITAN tank comes with an O-ring to seal the sending unit. Make sure the new O-ring is placed into the gland (groove) at the sending unit opening. Install assembled Titan Auxiliary Sending Unit (0201560000) into Titan Midship tank.

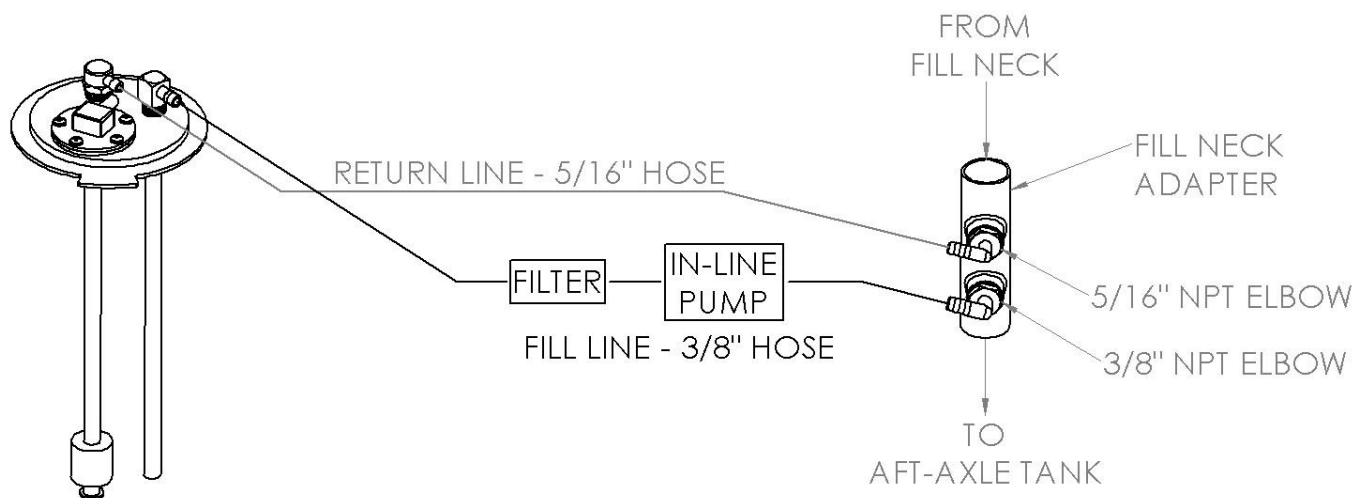


- 4 Place the provided Titan Torque Ring (9900000403) onto the sending unit and tighten it clockwise as far as it will go.
- 5 Use instructions provided with Titan Midship Tank to finish installing tank into vehicle.

Note: If vehicle already has a bed on it, it may be easier to connect the auxiliary tank wiring and fuel hose before final installation of the tank.

II. Connect Auxiliary Tank

<u>Step</u>	<u>Description</u>
6	The hose barbs on the sending unit are designed to accommodate 3/8" and 5/16" fuel line hose. The larger 3/8" hose is the fuel supply line and the 5/16" is a return line. Install the hoses on the hose barbs of the sending unit and clamp tightly. The return line will be run to the small barb on the (99 0000 0173) Fill Neck Adapter.

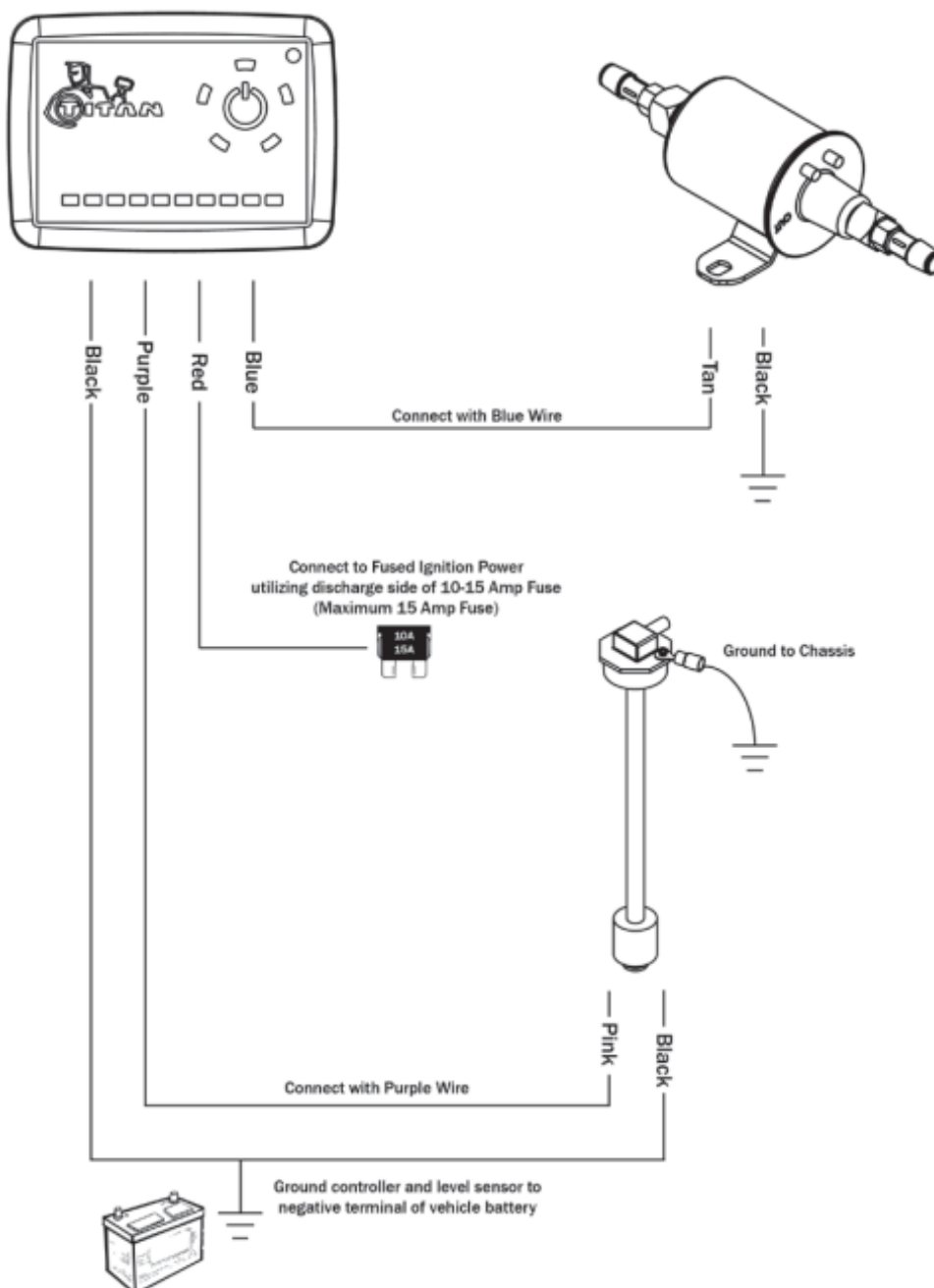


- 7 The 3/8" fuel supply line will be run to the fuel pump and inline filter. Mount the pump, using drilling screws and filter, and fasten in a convenient location, preferably in a somewhat sheltered place out of the path of water and ice. Be sure the inline filter is located before the suction side of the fuel pump. Filter needs to be accessible for service.

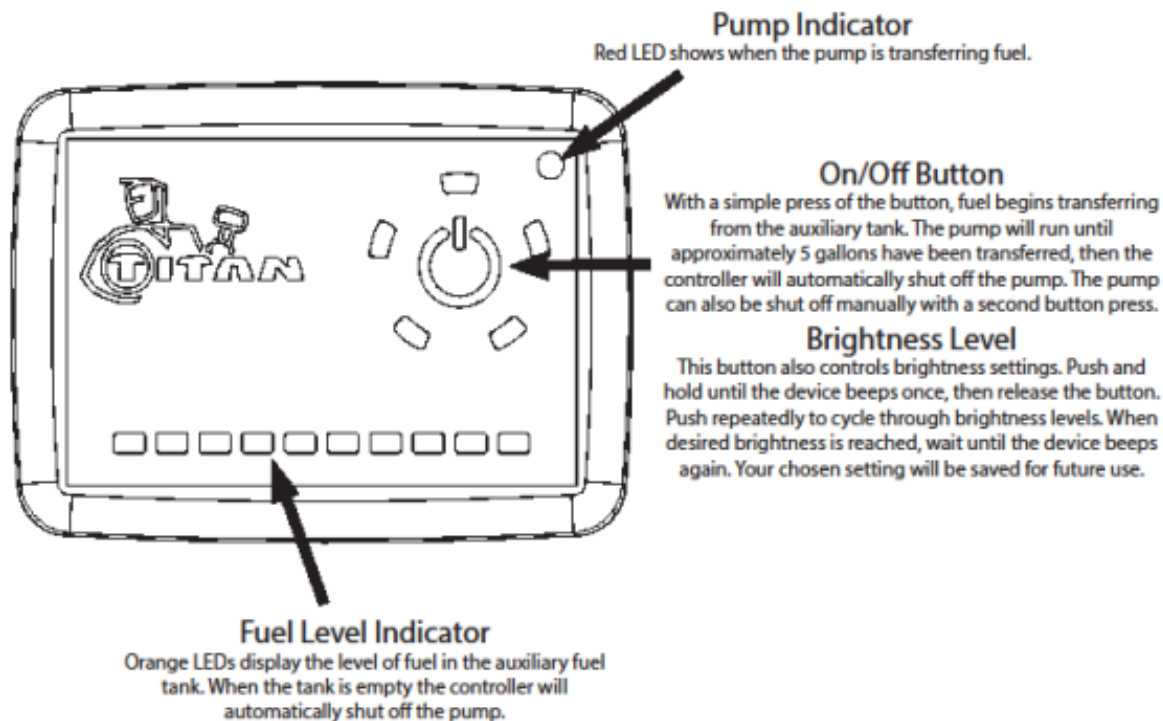


- 8 Using the supplied ring terminal, ground black fuel pump wire to chassis member using supplied, extra 30" wire, if needed. Attach red power wire on pump to blue 20 ft. wire provided, using supplied heat-shrink butt terminals. Cover with plastic loom. Run wire loom with wire from Electric Fuel Level Sensor wire along frame rail to cab access.
- 9 Cut vehicle's OEM fill neck and install Fill Neck Adapter (99 0000 0173). The barbs on the Fill Neck Adapter should be pointed upwards. The small diameter tubing of the adapter should be closest to vehicle's fill cap.
- 10 Connect 3/8" line from pump to largest barb on Fill Neck Adapter. The 5/16" hose from the sending unit goes to the other barb. Make sure there is no sags or dips in the hose. Use hose clamps on all connections.
- 11 Mount the TITAN™ Electronic Controller in the cab in a convenient location and complete wiring of the system according to the wiring diagram below.

TITAN™ Electronic Controller Pump Wiring Diagram

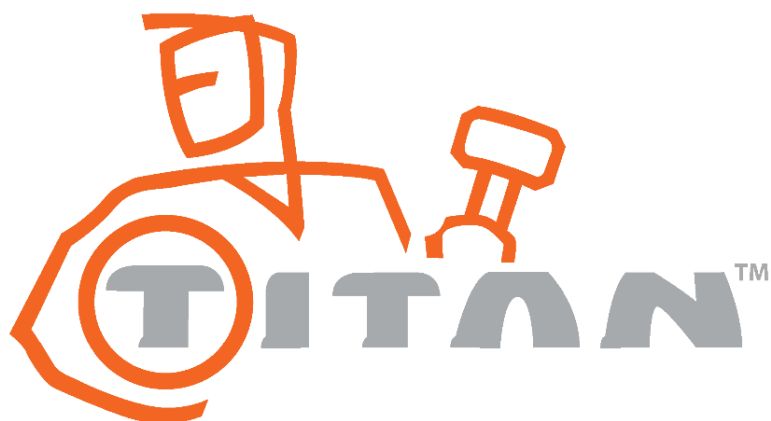


TITAN™ Electronic Controller



- 12 A fill neck assembly must be ordered separately from TITAN, your Ford dealer, or possibly the truck body manufacturer. Install it now on the auxiliary tank.
- 13 Important: Fill the tank, operate, and check for leaks. Double check all fasteners and connections to be sure they are tight.

For questions or customer service call (800) 728-4982



TITAN Fuel Tanks™
P.O. Box 2225
Idaho Falls, ID 83403 USA
Telephone (208) 522-1325, FAX (208) 529-2162
www.titanfueltanks.com

For patent information: <http://titanfueltanks.com/patents>

TITAN Fuel Tanks are PROUDLY MADE IN THE USA!

©2022 Supertanks, LLC. All rights reserved.