



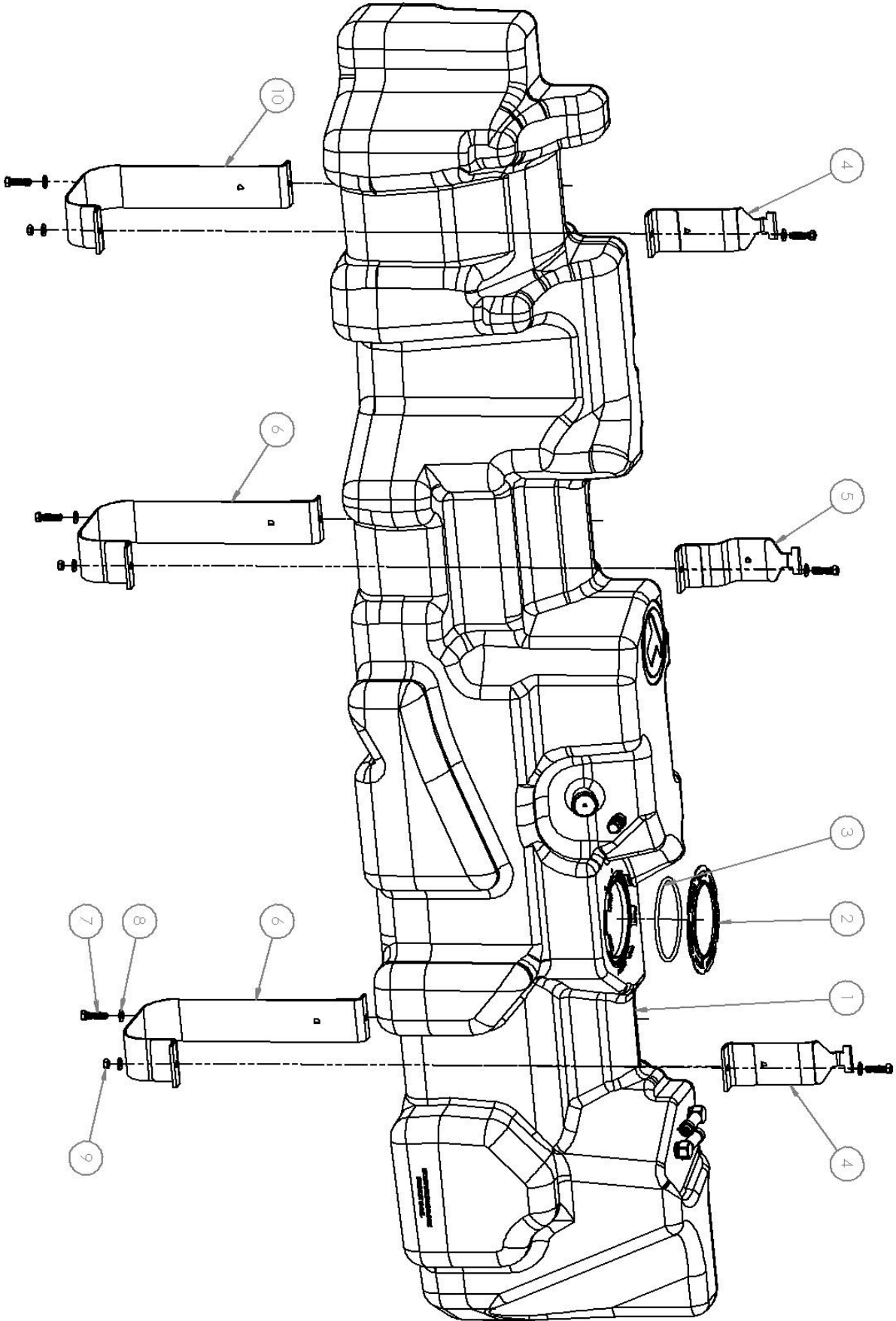
INSTALLATION INSTRUCTIONS



7030507: 50* Gallon (189* liters) Replacement Tank for Ram Cab and Chassis trucks with Cummins diesel engines. This product specifically fits the 84" CA (cab to axle) wheelbases (167.5", 169.3", and 197.4") in the 3500, 4500, and 5500 truck sizes.

Important: Please read these instructions carefully and completely before starting the installation.

IMPORTANT NOTICE: Before installation, thoroughly inspect the tank interior for ANY foreign debris.



7030507 Parts List:

	PN	Desc.	Qty.
1	03 0000 0148	Ram Chassis Universal Tank	1
2	98 0000 0403	Lock Ring	1
3	02 0000 0197	Orange O-Ring	1
4	03 0000 0150	"A" Tab Strap	2
5	03 0000 0152	"C" Tab Strap	1
6	03 0000 0151	"B" Strap	2
7	02 0000 0456	3/8"-16 x 1.5" Hex Bolt	6
8	99 0000 0682	3/8" Washer	9
9	02 0000 0163	3/8"-16 Nylon Locknut	3
10	03 0000 0153	"D" Front Support Strap for 84" CA	1

Generation 6

Tank Body Identification:



Note: The tank body has the above identification on its bottom. Please check to be sure that the tank is properly identified as the one to fit your vehicle. Notice the serial number space. You will need the serial number to register for warranty coverage.

Alternative Configuration Notice:

The following instructions are for a direct replacement application (factory midship being replaced by Titan midship).

For those looking to remove their after-axle tank and only use the Titan Midship, extra components will be needed. Please see pg. 9 for additional info.

For those looking to run the Titan midship as an auxiliary tank, an additional Titan kit (PN: 9900057) will be needed. A universal filler neck kit (PN: 9900025) is recommended. Instructions for the auxiliary system will come with the kit. However, these instructions will still be needed to install the midship tank.

I. Remove Original Equipment Tank

Step	Description
------	-------------

- 1 Before ANY INSTALLATION BEGINS INVENTORY ALL ITEMS IN KIT. Do not start Installation until you are 100% certain all Items are accounted for.
- 2 If a vehicle lift is being used, make sure that the lift you are using can hold the full weight of the truck. Many C&C trucks are upfitted with components that cause them to be too heavy for some commercial lifts. If you do not have a lift capable of lifting the truck, installation can be completed on the ground.
- 3 Drain all the fuel from the original equipment tank using a TITAN Fuel Caddy or siphon.
- 4 Disconnect the fill neck and the vent line from the fill spout mounted to the vehicle.
- 5 Support the original equipment tank to prepare for removal. We recommend using a transmission jack if using a vehicle lift or a floor jack if installing on the ground.

Note: The bottom of the OEM tank is rounded, not flat. It is extremely easy to tip this tank onto its side, so make sure the tank is completely stable while being removed from the vehicle.



Side profiles of the OEM tank

- 6 Check to see if the fuel lines and electrical harness connection to the sending unit are accessible. If they are, disconnect them before removing the straps.
- 7 Loosen the OEM tank straps by undoing the bolts on the driveshaft side. The straps are attached on the outboard side by tabs that hook into the crossmembers. Remove the straps and set them aside; they will not be reused.
- 8 If the fuel lines and electrical connection were not accessible, then lower the tank slightly to gain better access. Be very careful of how much tension is applied to fuel lines and fittings.
- 9 After all connections to the sending unit are detached, finish lowering the tank the rest of the way.

II. Prepare Vehicle and Replacement Tank

Step	Description
------	-------------

- 10 Loosen the OEM lock ring on the sending unit by turning it counterclockwise. Remove the sending unit from the OEM tank.

Note: Once again, the bottom of this tank is not flat. Make sure it will not tip over while the sending unit is being removed.



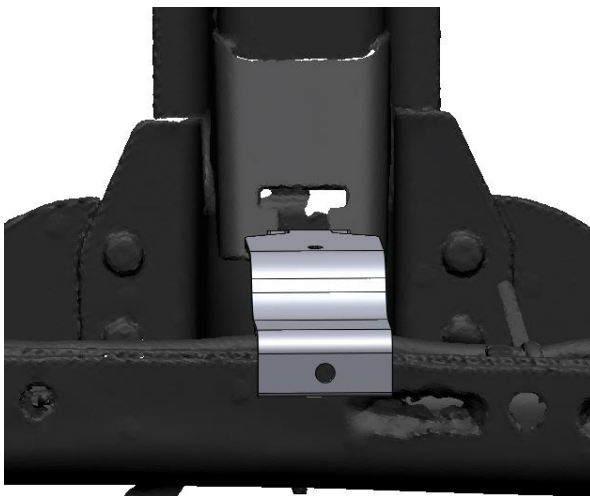
Sample image of removing an OEM lock ring

- 11 The TITAN tank comes with a new O-ring to seal the sending unit. Make sure the orange O-ring is placed securely into the O-ring groove around the sending unit opening.
- 12 Place the sending unit into the TITAN tank. Be sure to turn the sending unit so that the tab lines up with the "tab location" marks on the tank.

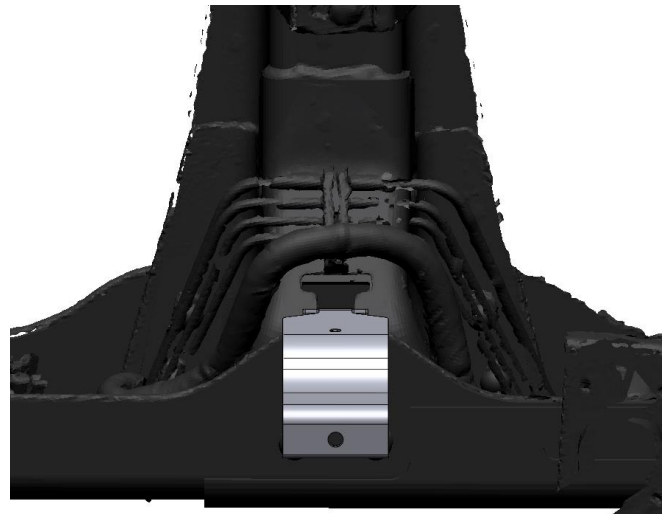


Sample image of sender alignment

- 13 Use the new lock ring to secure the sending unit into the tank. Do not use the OE lock ring; it is not compatible with the Titan tank. Tighten it clockwise as far as it will go.
- 14 Note the orientation of the fill hose and vent hose, then move them from the OEM tank to the Titan tank. Install in the same orientation as factory and tighten securely.
- 15 Remove the original tank strap brackets from the truck. They will not be reused.
- 16 The three tab straps (two A and one C) are easier to install before the tank body is lifted into the vehicle. The A tab straps mount into the tab slot in the crossmember just forward of the rear axle. The C tab strap mounts into the next crossmember forward. The second A tab strap mounts into the next crossmember forward (just underneath the rear of the cab.)



Installed C Tab Strap for Front Strap.



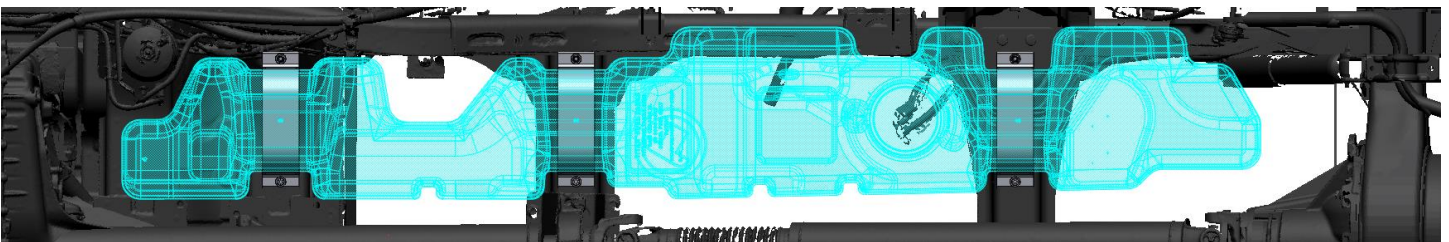
Installed A Tab Strap for Rear Strap.



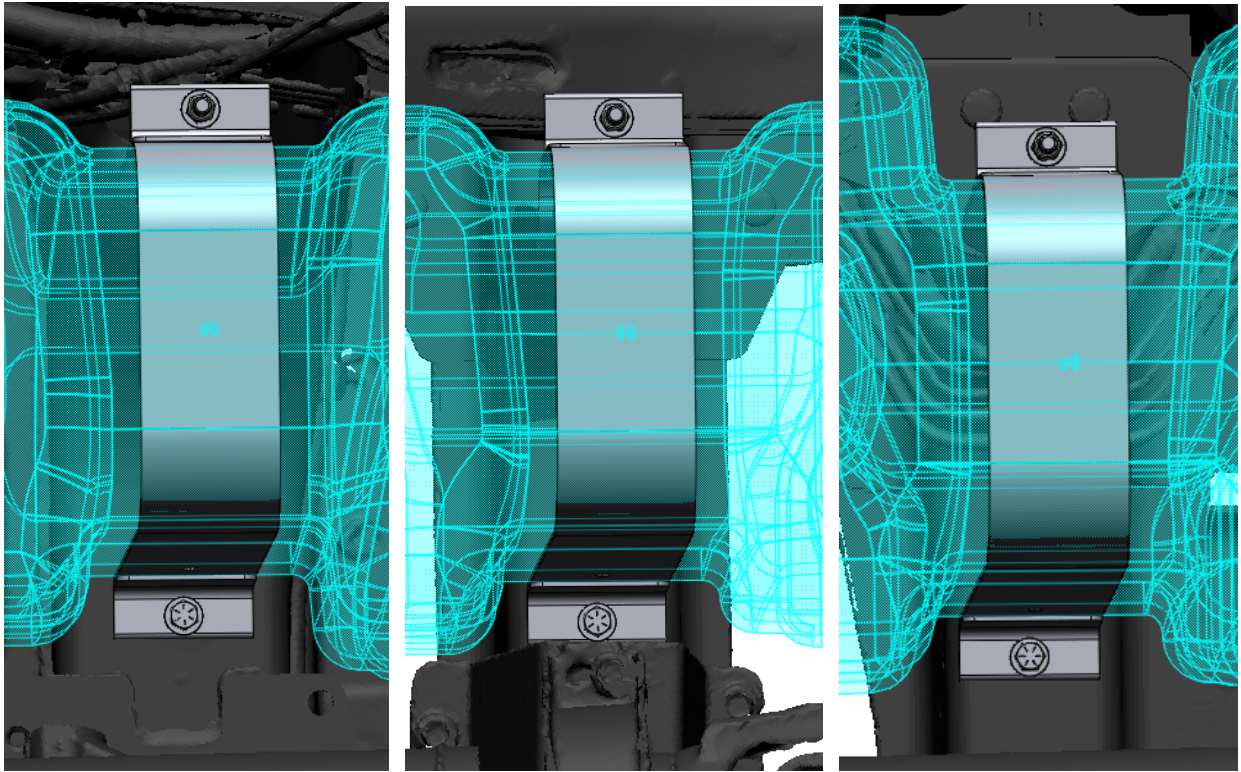
Installed A Tab Strap for Front Support.

III. Install Replacement Tank in Vehicle

Step	Description
17	Support the TITAN tank and lift it most of the way into place. Leave enough space to be able to attach the electrical connection and the fuel lines. It may be helpful to begin by lifting the tank at a slight angle to get the fill and vent hoses started through the hole in the frame.
18	Re-attach all fuel line and electrical connections, then finish lifting the tank into place.
19	Loosely install the two B straps and the D front support strap into the crossmembers with the A and C tab straps. Using the provided bolts, washers, and nuts, attach the B straps to the A and C tab straps. Tighten all bolts to manufacturer's specifications.



Overall view of the installed tank (seen from beneath)

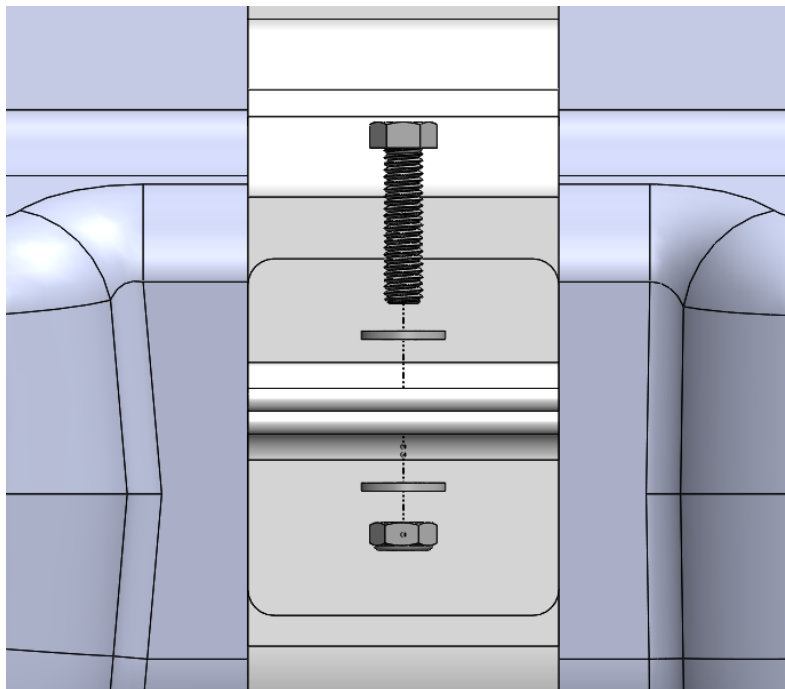


Front Support: A and D

Front Strap: C and B

Rear Strap: A and B

Installed Strap Images. The driveshaft is towards the bottom of these images, outboard towards the top.



Exploded view of hardware to mount a tab strap to a main strap.

- 20 Reconnect the fill hose and vent line to the vehicle's fill spout.
- 21 Make sure ALL mounting hardware, clamps, bolts, etc. are properly installed and TIGHT.
- 22 **IMPORTANT!** Lower vehicle, fill tank to the first nozzle "click-off" with diesel fuel and check for leaks.

Alternate Configuration:

Aft-Axle only to Midship only conversion

While deleting the aft-axle tank is a common enough practice, we have found that Ram prefers to work with registered upfitters or dealers for parts such as fuel lines. **We highly recommend** working with a registered upfitter in your area with experience doing these modifications.

- We recommend replacing your existing fuel lines with lines designed for the Ram midship tank. While fuel line modifications are possible, DO NOT modify your fuel lines without a thorough understanding of the process.
- The aft-axle sending unit is tall enough to work with our midship tank, but the float arm points the wrong direction. This requires the sender to be clocked at a different angle and requires the orientation tab to be modified. Please be aware that these sending units are made from a brittle plastic that cracks easily.
- Rather than trying to rearrange or adjust the electrical harness, we recommend extending the wires in the electrical connection.

Go to TITAN's website to view video installation instructions and tips.

Be sure to return the completed warranty registration for your new Titan fuel tank; or you can register on-line at www.titanfueltanks.com

You will find your tank's serial number on the bottom of the tank.

Write your tank's Serial Number here: _____

A product must be registered within sixty (60) days of receipt for the warranty to be valid. Other conditions may apply. Consult TITAN's full warranty for details.

*All capacities are approximate.

Warranty is void if product is improperly installed.

For questions or customer service call (800) 728-4982



TITAN Fuel Tanks™
P.O. Box 2225
Idaho Falls, ID 83403 USA
Telephone (208) 522-1325, FAX (208) 529-2162
www.titanfueltanks.com

For patent information: <http://titanfueltanks.com/patents>

TITAN Fuel Tanks are PROUDLY MADE IN THE USA!

©2024 Supertanks, LLC. All rights reserved.