

TITAN PN: 01 0000 0152

**Important:** Please read these instructions carefully and completely before starting the installation.

## TITAN Fuel Tanks™

### INSTALLATION INSTRUCTIONS

# Gen6™

## Gen6™ LB7 Sending Unit Installation Instructions

Vehicles with LB7 versions of the Duramax engines require an adaption kit (pn 0199004) for installation of the sending unit. This kit is **only** for TITAN Gen6™ tanks.

- A** Put aside the top locking ring from the original equipment tank, it will not be needed again. Place the thin flat flange with the three tabs, from the LB7 Kit onto the sending unit orange O-ring gasket. One of the three tabs has a “T” stamped on it. Place the tab with the “T” face up, lined up with the “tab location” mark on the tank (See Fig. 2).
- B** From the bottom of the sending unit, thread the provided smaller O-ring gasket over the unit until it is at the base of the unit’s top. Carefully place the sending unit into the new tank on top of the flange you installed above. Make sure the O-ring gasket is placed properly under the sending unit to seal correctly.
- C** After placing the sending unit into the tank on top of the O-ring gasket, rotate it so the fuel line fittings are positioned at the *same* angle as in the original equipment tank. If the fittings point too far either direction they will not hook up correctly or the float will press against the side of the tank resulting in improper operation of the fuel gauge. Place the LB7 hold-down ring from the kit on the sending unit and tighten by turning it clockwise as far as it will go.

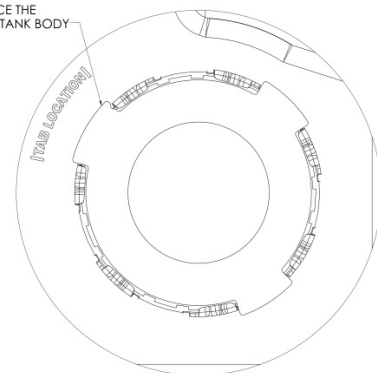
*See exploded view at end of this instruction.*

**Note:** LB7 trucks have an interior fill tube inside the fill hose. Ten inches (10”) of the interior fill tube should be cut off the tank end of the tube (See Fig. 1 ).

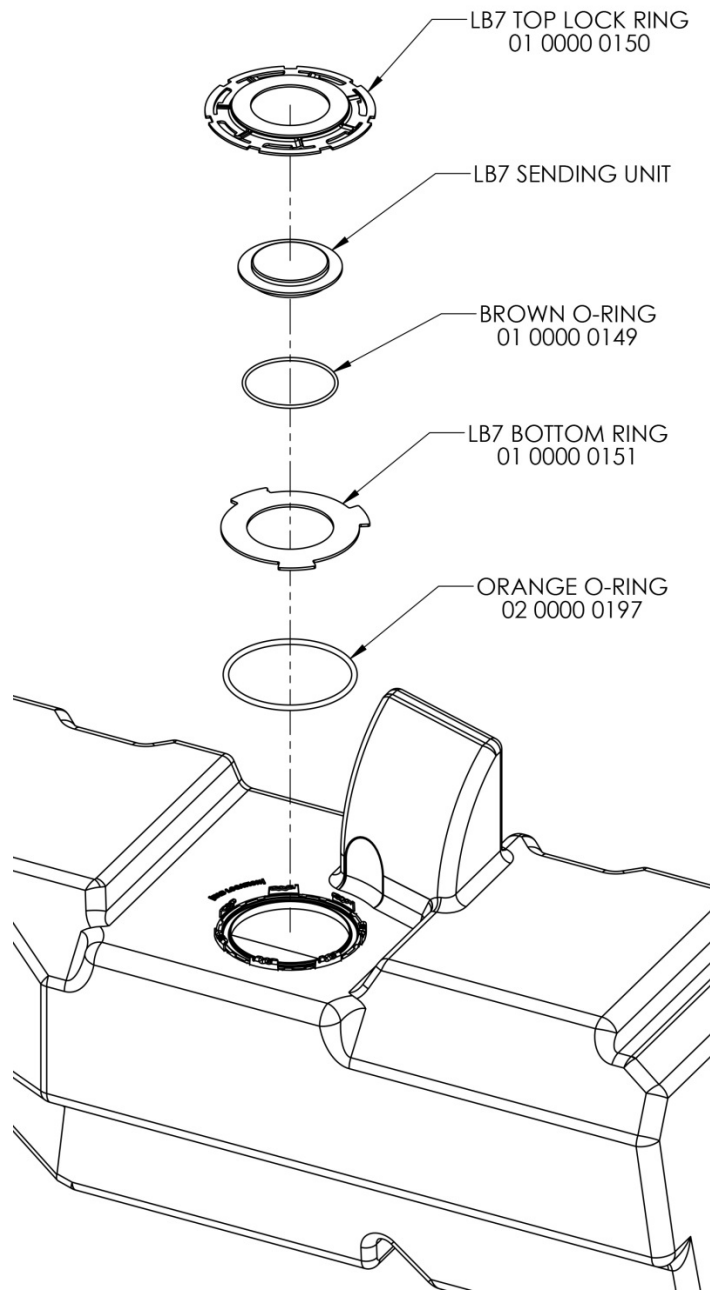


(Fig. 1) On vehicles with LB7 engines only, an interior fill hose is located inside the main fill hose. The tank vents through the space provided between the two hoses. Ten (10) inches needs to be cut off of the interior hose on end that goes to the tank as shown.

TAB WITH NOTCH SHOULD FACE THE  
"TAB LOCATION" MARKING ON THE TANK BODY



(Fig. 2) Tab with notch, shown above, should face the “Tab Location” marking on the tank body.



(Fig. 3) Exploded view of **Gen6™** LB7 adaption kit.

**How do you know if you need an LB7 Kit?**

**Answer:** LB7 engines were used on all 2001 to 2003 General Motors diesel trucks. On 2004 models it is required if the eighth character in the VIN is a "1". Contact your TITAN™ dealer if you have any questions.

**TITAN™ Fuel Tanks, P.O. Box 2225, Idaho Falls, ID 83403, USA**  
**Telephone (800) 728-4982, Fax (208) 529-2162**