

E4-WM5-Y628A00

MOUNTING INSTRUCTION



IMPORTANT! READ THIS FIRST!

Installation of shock absorbers or other suspension components requires special tools and expert knowledge. Accordingly, installation of all BILSTEIN products must be performed by a professional automotive suspension technician.

When replacing other brands, BILSTEIN shock absorbers or other suspension components should always be installed as a set. All BILSTEIN products must only be used for the specific, intended application as indicated in the application guide. **Any use of any BILSTEIN product other than for its intended use may result in serious bodily injury or death.**

Always use a chassis hoist for the installation of BILSTEIN products and make certain that the raised vehicle is securely attached to the hoist and/or supported to prevent the vehicle from slipping, falling, or moving during the installation process.

If you install any BILSTEIN product without the necessary special tools, expertise, and chassis hoist, you may subject yourself to the risk of serious bodily injury or death.

BILSTEIN shock absorbers are gas-filled and are highly pressurized.

- Never place any BILSTEIN shock absorbers in a vise or use a clamp on any BILSTEIN shock absorber.
- Never apply heat near any BILSTEIN shock absorber.
- Never attempt to open or repair any BILSTEIN product, in order to prevent **serious bodily injury or death.**

Any attempt to misuse, misapply, modify, or tamper with any BILSTEIN suspension product voids any warranty and **may result in serious bodily injury or death.**

While installing any BILSTEIN product:

- Do not use impact tools for loosening or tightening fasteners, because this may destroy the screw threads.
- Self-locking fasteners must only be used **once!**
- Reuse original equipment components only if they are in good condition, otherwise replace them with new components.
- Never remove the slight film of oil on the shock absorber piston rod and seal.
- All mounting fasteners for shock absorbers and other suspension components must be securely tightened before tension is placed on the suspension system, unless otherwise specified in the manufacturer's service manual or in this instruction.

After installing any BILSTEIN product:

- The suspension caster and camber must be checked and/or adjusted to comply with the vehicle manufacturer's specifications.
- The (load dependent) brake compensator and the anti-lock brake system must be checked and/or reset to comply with the vehicle manufacturer's specifications.
- The headlight aim must be checked and adjusted. Or, if applicable, adaptive headlights must be checked and recalibrated to comply with the vehicle manufacturer's specifications.
- If applicable, any/all Advanced Driver Assistance Systems (ADAS) must be checked and recalibrated to comply with the vehicle manufacturer's specifications.

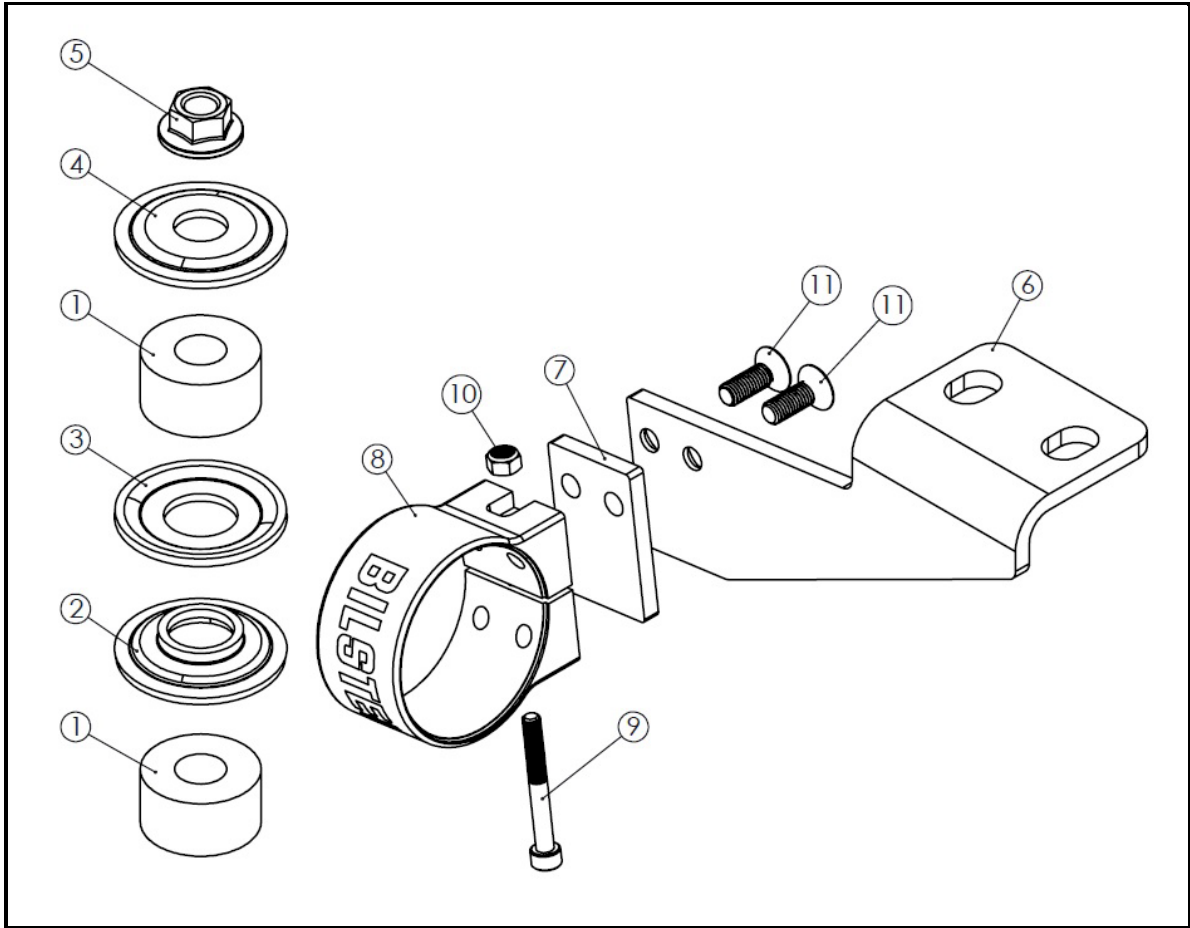
CAUTION for COILOVER TYPE SUSPENSIONS!!!

If disassembling a coilover type suspension, refer to the vehicle manufacturer's service manual for proper procedures. The coil spring is preloaded and must be compressed with a spring compressor to release load before the upper mount is disassembled. Failure to follow the vehicle manufacturer's procedures may cause serious injury or death, and may damage the vehicle.

IMPORTANT!!!

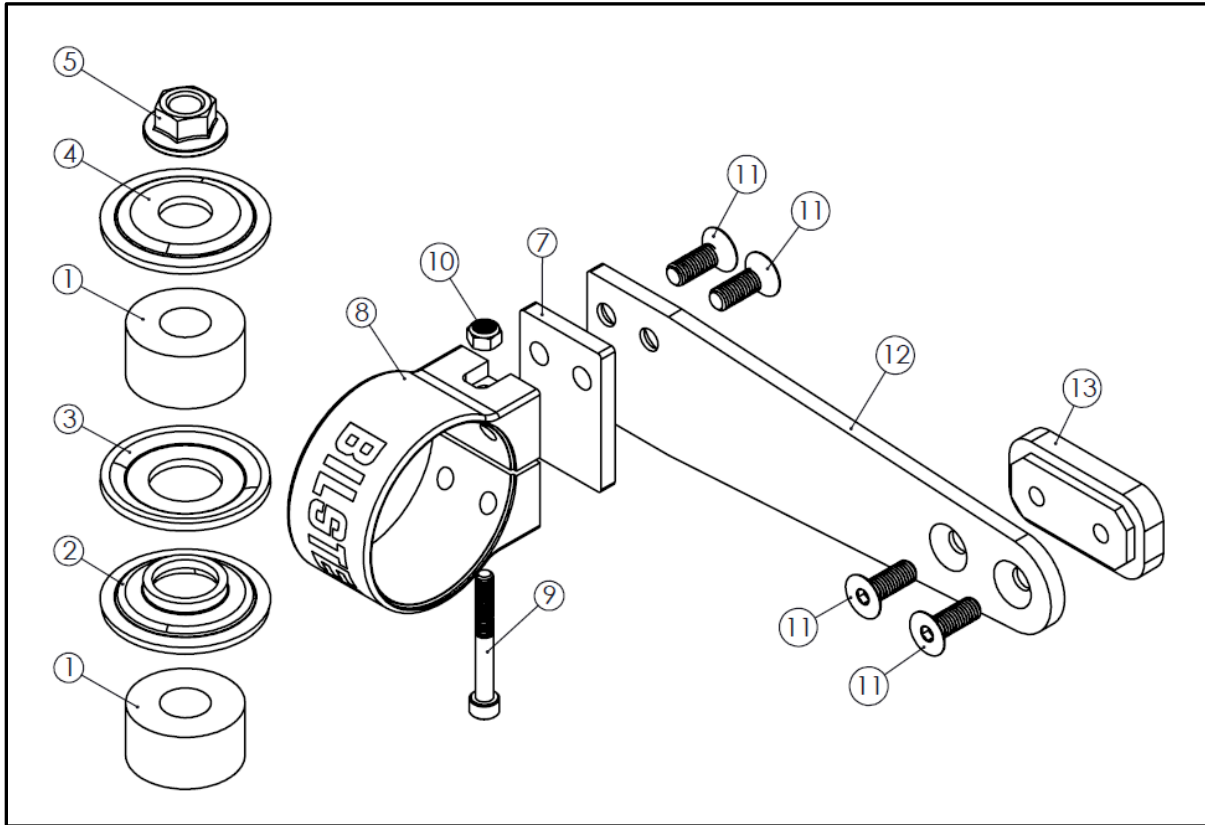
This BILSTEIN product may or may not be compatible with non-BILSTEIN aftermarket products and/or vehicle modifications. It is the responsibility of the professional automotive suspension technician performing the installation to identify any non-OEM components and/or modifications on the vehicle that may interact with the suspension system. These must be evaluated for any potential physical static or dynamic interference with and/or effect on the function of this BILSTEIN product.

E4-WM5-Y628A00 MOUNTING INSTRUCTION



BILL OF MATERIALS – REAR LEFT		
Item #	Description	Qty
1	Bushing	2
2	Alignment Washer	1
3	Retaining Washer, 24.3mm ID	1
4	Retaining Washer, 17.8mm ID	1
5	Flange Nut, M12x1.25, 18mm Hex Head	1
6	Reservoir Support Plate	1
7	Reservoir Spacer	1
8	Reservoir Clamp	1
9	Stainless Steel Socket Cap Screw; M6x1; L = 50mm	1
10	Nylon-Insert Locknut; M6x1	1
11	Flat Head Screw; M8x1.25; L=22mm	2

E4-WM5-Y628A00 MOUNTING INSTRUCTION



BILL OF MATERIALS – REAR RIGHT		
Item #	Description	Qty
1	Bushing	2
2	Alignment Washer	1
3	Retaining Washer, 24.3mm ID	1
4	Retaining Washer, 17.8mm ID	1
5	Flange Nut, M12x1.25, 18mm Hex Head	1
12	Reservoir Support Plate	1
7	Reservoir Spacer	1
8	Reservoir Clamp	1
9	Stainless Steel Socket Cap Screw; M6x1; L = 50mm	1
10	Nylon-Insert Locknut; M6x1	1
11	Flat Head Screw; M8x1.25; L=22mm	4
13	Reservoir Slot Bracket	1

E4-WM5-Y628A00 MOUNTING INSTRUCTION



It is normal to hear a slight audible clicking noise during compression and rebound strokes in the B8 8100 bypass shocks, most notably during low velocity events. This is due to the internal check pistons opening and closing to create the externally adjustable compression and rebound zones.

B8 8100 bypass shock installation procedure:

B8 8100 bypass shocks are corner specific. This instruction applies to both the left (P/N: 25-326048) and right (P/N: 25-326055) rear shocks. Skip to page 11 to see the final result for both sides.

- A. Remove the existing shock from the vehicle following all procedures in the vehicle manufacturer's service manual. Inspect the OE lower shock bolt, washer and flange nut for any damage or excessive wear. If these components are in good condition, save them for reuse later. If damage or excessive wear is present in any of these components, purchase the required replacement OE components.
- B. Slide one of the bushings (BOM item #1) and the alignment washer (BOM item #2) over the threaded pin on the shock body as shown below.



E4-WM5-Y628A00 MOUNTING INSTRUCTION



- C. Slide the threaded pin on the shock body through the chassis mount and carefully center the alignment washer (BOM item #2) in the mount hole. Slide the first Retaining Washer (BOM item #3) over the threaded pin concave up, followed by the second upper cushion (BOM item #1). Then slide the second Retaining Washer (BOM item #4) over the threaded pin concave down. Thread the M12x1.25 flange nut (BOM item #5) onto the threaded pin on the shock body. Using an open end or box end wrench, thread the flange nut down the threaded pin until all the gap in the cushions is taken up as shown below. Do not thread the flange nut all the way to the stop point at this time.



Left (Driver) Rear



Right (Passenger) Rear

- D. For the left rear, orient the bypass tubes facing towards the front of the vehicle with the reservoir tube clocked 45° outboard as shown above. Allow the reservoir to hang for now.
- E. For the right rear, orient the bypass tubes facing towards the rear of the vehicle with the reservoir tube clocked 45° outboard as shown above. Allow the reservoir to hang for now.

E4-WM5-Y628A00 MOUNTING INSTRUCTION



- F. Align the lower shock mount in the rear axle attachment point using the OE lower shock bolt that was removed in step A (1 per side). Make sure the hex head of the bolt is facing the outside of the vehicle. Slide the OE washer over the bolt threads, and tighten the OE flange nut until the gap between the components and the rear axle attachment point is taken up as shown below. Do not torque the bolt and flange nut at this time. (The lower shock mount should still be free to rotate.)



Rear Left Reservoir Mounting

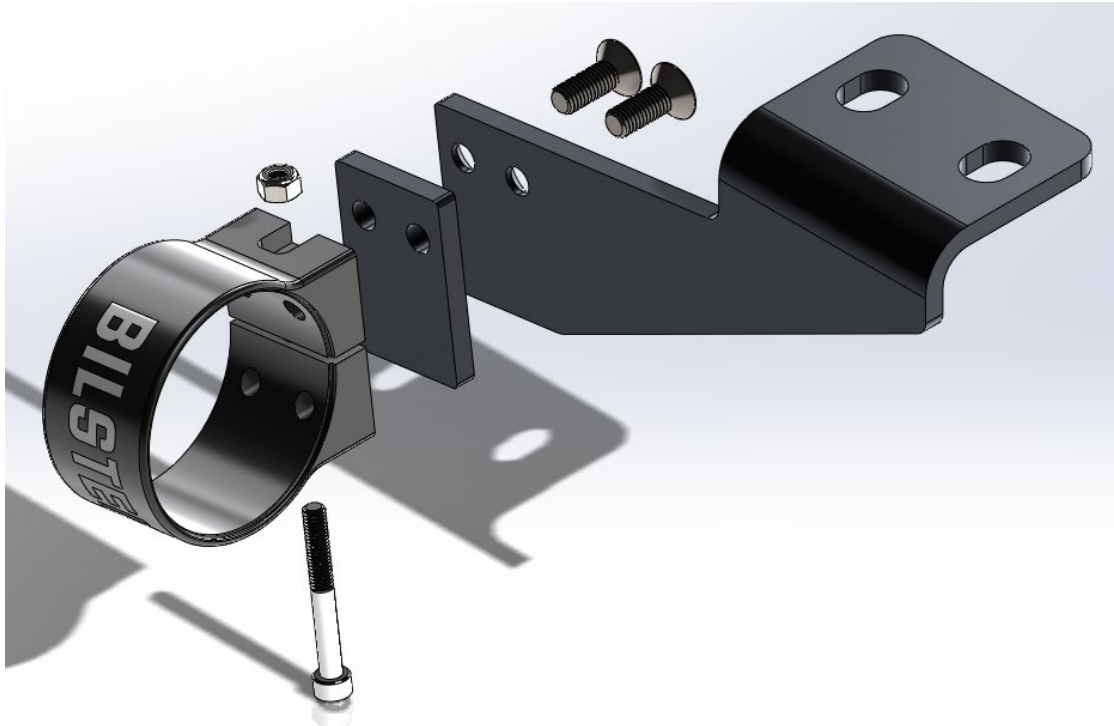
- G. Locate the two flanged hex head screws on the top of the frame behind the left rear wheel well (see circle in image below). Remove these two screws and set aside.



E4-WM5-Y628A00 MOUNTING INSTRUCTION



- H. Assemble the reservoir bracket assembly as shown below. Apply non-permanent thread locker to the M8x1.25 Flat Head Screws (BOM item #11) and **torque to 16 ft-lb (22 Nm)**. Hand-tighten the Stainless Steel M6x1 Socket Cap Screw only. You will need this to be loose in order to slide the reservoir into the Reservoir Clamp. Also, make sure the nut is on the top as this will make it easier to tighten when installed on the vehicle.



- I. Using the two flanged hex head screws removed in Step G, install the bracket assembly back as shown in the image below.
Torque Flanged Hex Head Screws to 18 ft-lb (25 Nm).



E4-WM5-Y628A00 MOUNTING INSTRUCTION

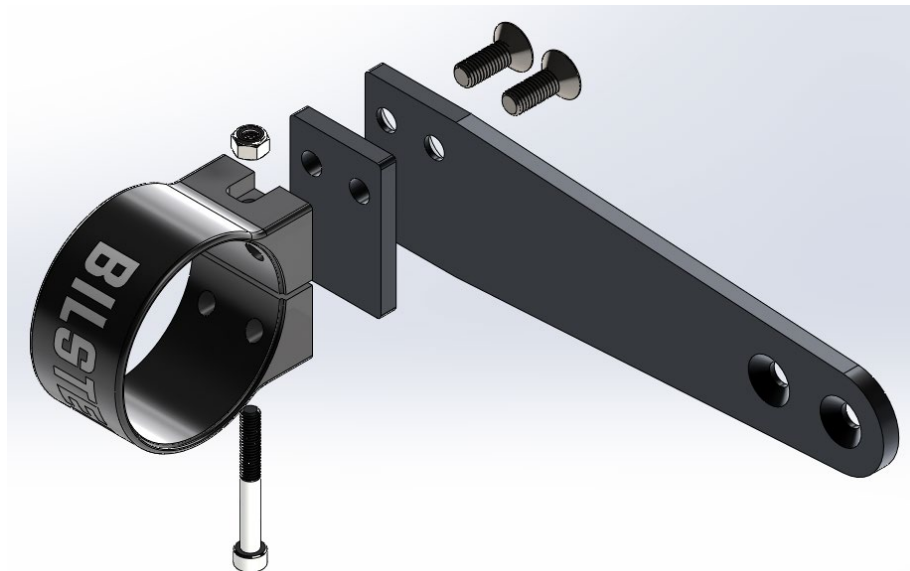


- J. Now take the reservoir and slide it through the Reservoir Clamp (BOM item #8). If it does not slide in easily, loosen the M6x1 Socket Head Cap Screw slightly to allow the clamp to open a little.
- K. Position the reservoir in the Reservoir Clamp to where the label sits right against the Reservoir Clamp (approx. 4-1/8" or 105mm from the left end of the reservoir tube) and then tighten the M6x1 Socket Head Cap Screw. **Torque the Socket Head Cap Screw to 6 ft-lb (8 Nm).**



Rear Right Reservoir Mounting

- L. Assemble the reservoir bracket assembly as shown below. Apply non-permanent thread locker to the M8x1.25 Flat Head Screws (BOM item #11) and **torque to 16 ft-lb (22 Nm)**. Hand-tighten the Stainless Steel M6x1 Socket Cap Screw only. You will need this to be loose in order to slide the reservoir into the Reservoir Clamp. Also, make sure the nut is on the top as this will make it easier to tighten when installed on the vehicle.



E4-WM5-Y628A00 MOUNTING INSTRUCTION



- M. Locate the rectangular slot on the frame in front of the right rear wheel well (see circle in image below).



- N. Insert the Reservoir Slot Bracket (BOM item #13) into the slot from the inside of the vehicle frame as shown below.



- O. Using the other two M8x1.25 Flat Head Cap Screws, apply non-permanent thread locker and fasten Reservoir Bracket assembly to the Reservoir Slot Bracket as shown below. **Torque to 16 ft-lb (22 Nm).**



E4-WM5-Y628A00 MOUNTING INSTRUCTION

BILSTEIN



- P. Now take the reservoir and slide it through the Reservoir Clamp (BOM item #8). If it does not slide in easily, loosen the M6x1 Socket Head Cap Screw slightly to allow the clamp to open a little.
- Q. Position the reservoir in the Reservoir Clamp to where the label sits right against the Reservoir Clamp (approx. 5" or 128mm from the left end of the reservoir tube) and then tighten the M6x1 Socket Head Cap Screw. **Torque the Socket Head Cap Screw to 6 ft-lb (8 Nm).**



Final Shock Mounting

- R. After mounting the reservoirs, ensure the main shock body is still oriented in the position described in Steps D and E.
- S. Once the shock body is oriented properly, thread the Flanged Locknut onto the threaded pin on the shock body.
Torque the Flanged Locknut to 20 ft-lb (27Nm).
- T. Fully tighten the lower shock bolt to the torque specified in the manufactures service manual.

If a chassis hoist has been used, be sure to lower the vehicle such that it's full weight is on the suspension prior to fully tightening the lower shock bolt.
- U. Carefully check for any possible dynamic interference the bypass shock bodies, bypass adjusters, reservoir hoses, and reservoirs may have with any other components on the vehicle. Make any necessary adjustments to the shock alignment and/or reservoir position. The mounting locations depicted are appropriate for this application; however, some aftermarket components such as tires and/or lift kit combinations may create interference problems. It is the responsibility of the installer to determine if there is a potential for interference.

E4-WM5-Y628A00
MOUNTING INSTRUCTION



Final left rear (driver) 25-326048 B8 8100 bypass shock installed on vehicle:



Final right rear (passenger) 25-326055 B8 8100 bypass shock installed on vehicle:



E4-WM5-Y628A00 MOUNTING INSTRUCTION



B8 8100 bypass shocks allow the user to tune the damping for the best possible ride quality and performance of their vehicle. The shocks offer multiple zones of compression and rebound damping, depending upon the bypass configuration. The factory setting is:

Rebound – 6 full turns **COUNTER-CLOCKWISE** from fully firm
Compression – 7 full turns **COUNTER-CLOCKWISE** from fully firm
**note: 4 clicks equals 1 full turn*

Note: The bypass adjusters allow adjustment up to 10 full turns counter-clockwise from fully firm.

B8 8100 bypass adjustment procedure:

Rotate the blue and red adjuster knobs to make the desired adjustment.

Turn the adjuster knob **CLOCKWISE** to **INCREASE** damping

Turn the adjuster knob **COUNTER-CLOCKWISE** to **DECREASE** damping

B8 8100 bypass service:

For service of your B8 8100 bypass shocks, please contact:

THYSSENKRUPP BILSTEIN OF AMERICA
Toll Free: 1-800-537-1085
bilsteinus.com