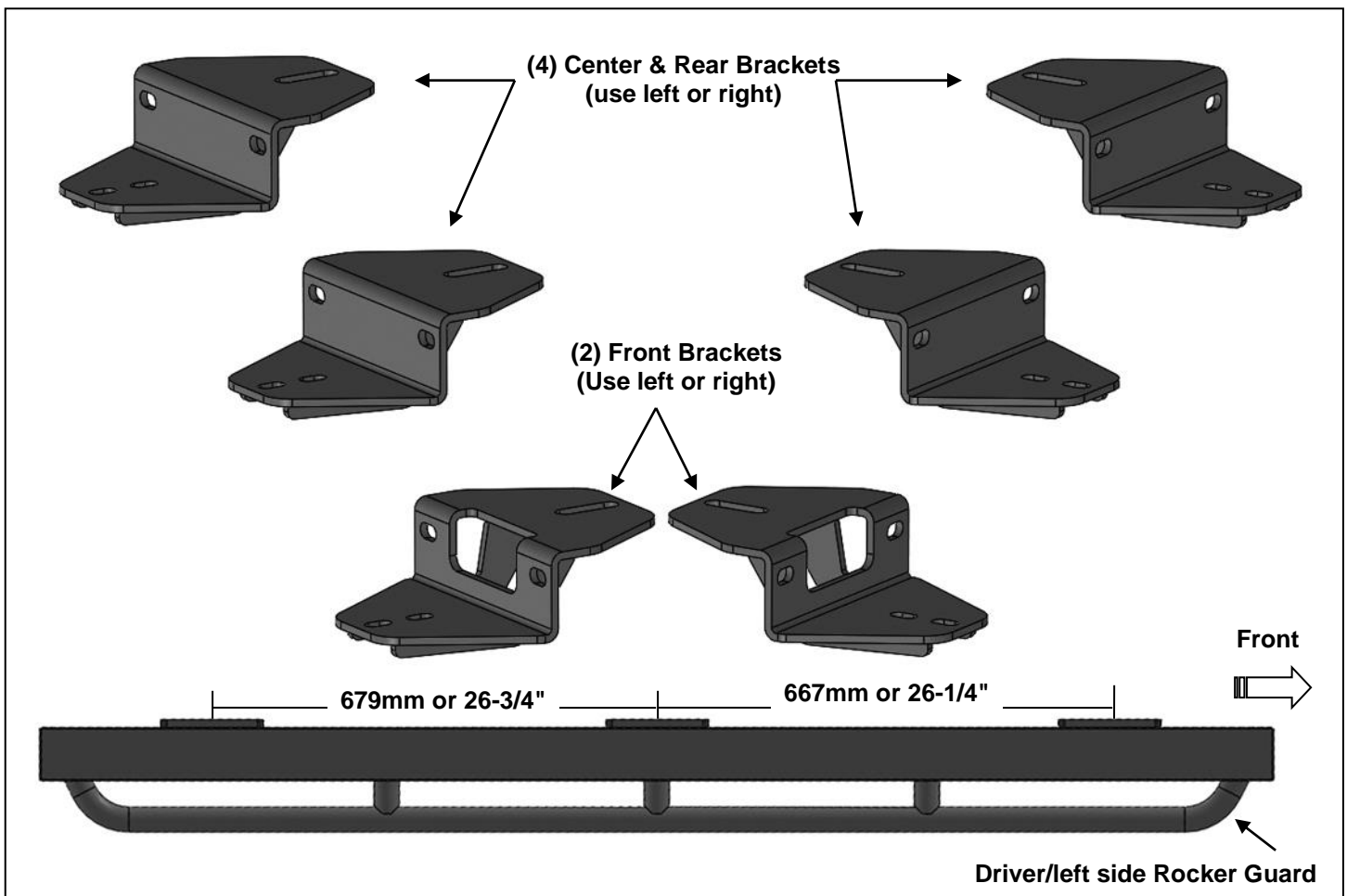


2018-2019 WRANGLER JL 2 DOOR SIDE STEPS ROCKCRAWLER PART#JL-4122

Parts List:

1	Driver/left side Rocker Guard	24	8-1.25mm x 30mm Hex Bolts
1	Passenger/right side Rocker Guard	24	8mm x 24mm x 2mm Flat Washers
2	Front Brackets	6	8mm x 28mm x 3mm Flat Washers
4	Center and Rear Brackets	30	8mm Lock Washers
6	8-1.25mm x 35mm Hex Bolts		



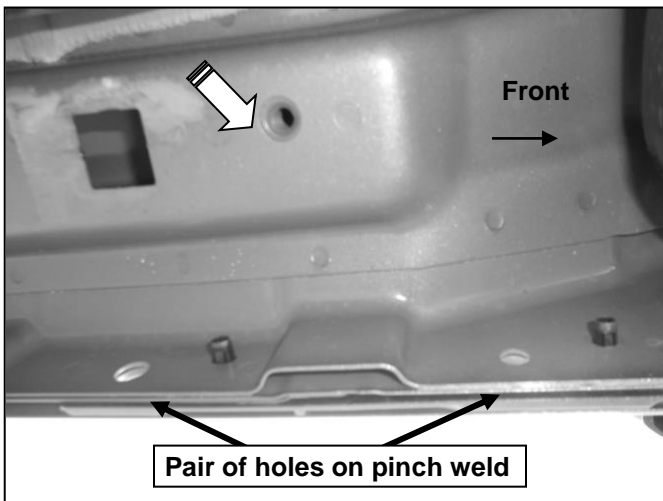
PROCEDURE:

1. REMOVE CONTENTS FROM BOX. VERIFY ALL PARTS ARE PRESENT. READ INSTRUCTIONS CAREFULLY BEFORE STARTING INSTALLATION. FACTORY INSTALLED OR AFTERMARKET "ROCK RAILS," SIDE STEPS OR RUNNING BOARDS MUST BE REMOVED. DRILLING MAY BE REQUIRED.
2. Start installation toward the front of the driver side of the vehicle and locate the three pair of holes along the pinch weld, (**Figure 1, 4, & 6**)
3. Select (1) 8mm Hex Bolt from the provided hardware. Insert the 8mm Hex Bolt through each hole along the pinch weld. If the 8mm Hex Bolt does not fit through the hole, then drilling will be required. Use a 5/16" drill bit to drill out a wider hole for the bolt. **IMPORTANT:** Do not drill through the edges of the pinch weld.

4. Select (1) Front Bracket, **(Figure 2)**. **IMPORTANT:** Use the illustration above to properly identify the Front Bracket. Attach the Bracket to the threaded insert using (1) 8mm x 35mm Hex Bolt, (1) 8mm Lock Washer and (1) 8mm x 28mm Large Flat Washer, **(Figures 2 & 3)**. Do not tighten hardware.
5. Move along the body panel to the center mounting location and locate the threaded insert and pair of holes on the pinch weld, **(Figure 4)**. Repeat **Steps 3 & 4** to install the Center Bracket, **(Figure 5)**.
6. Move to the last, rear, mounting location and locate the threaded insert and pair of holes on the pinch weld, **(Figure 6)**. Repeat **Steps 3 & 4** to install the Rear Bracket, **(Figure 7)**.
7. Next, select the Driver/left side Rocker Guard. **IMPORTANT:** Use the illustration above to help identify the correct Rocker Guard. The distance between the front and center Bracket mounting location on the Rocker Guard is slightly smaller than the distance between the center and rear Bracket mounting location.
8. With assistance, place the Rocker Guard on top of the Brackets. **IMPORTANT:** Do not slide, (front to back), the Rocker Guard on the Brackets or damage to the finish on the Rocker Guard may result. Align the holes on the Rocker Guard to the slots on the (3) installed Brackets.
9. Attach the Rocker Guard to the bottom of the Brackets with (6) 8mm x 30mm Hex Bolts, (6) 8mm Lock Washers and (6) 8mm x 24mm Flat Washers, **(Figures 8—11)**. Do not tighten hardware.
10. Next, insert (6) 8mm x 30mm Hex Bolts, (6) 8mm Lock Washers and (6) 8mm x 24mm Flat Washers through the Brackets, pinch weld and into the Rocker Guard to secure the Brackets to the Rocker Guard, **(Figures 9—11)**. Do not tighten hardware at this time.
11. Level and adjust the Rocker Guard and tighten all hardware.
12. Repeat **Steps 1—11** for Passenger/right Rocker Guard installation.
13. Do periodic inspections to the installation to make sure that all hardware is secure and tight.

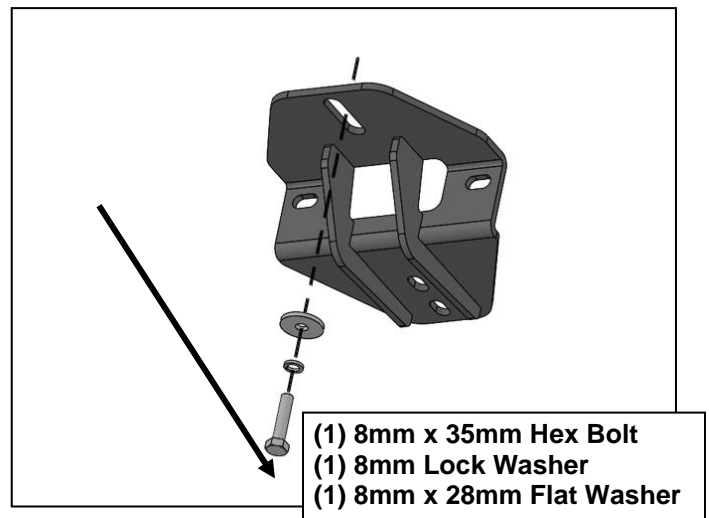
To protect your investment, wax this product after installing. Regular waxing is recommended to add a protective layer over the finish. Do not use any type of polish or wax that may contain abrasives that could damage the finish. Mild soap may be used to clean Rocker Guard.

Driver/Left Side Installation Pictured



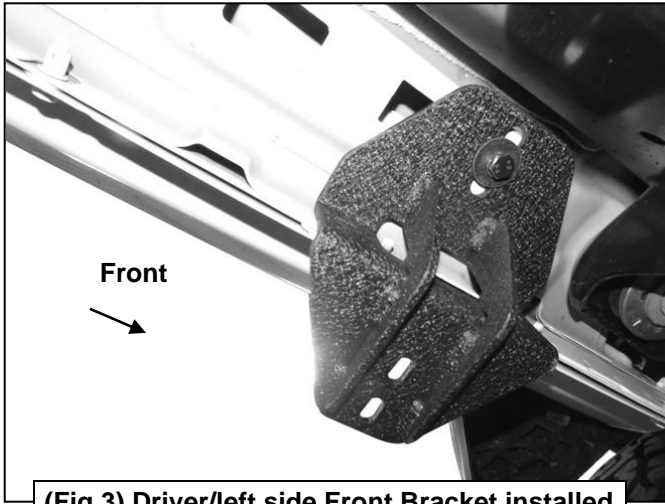
(Fig 1) Driver/left side front mounting location

NOTE: Insert an 8mm Hex Bolt through each hole along the pinch weld to determine if drilling is required.

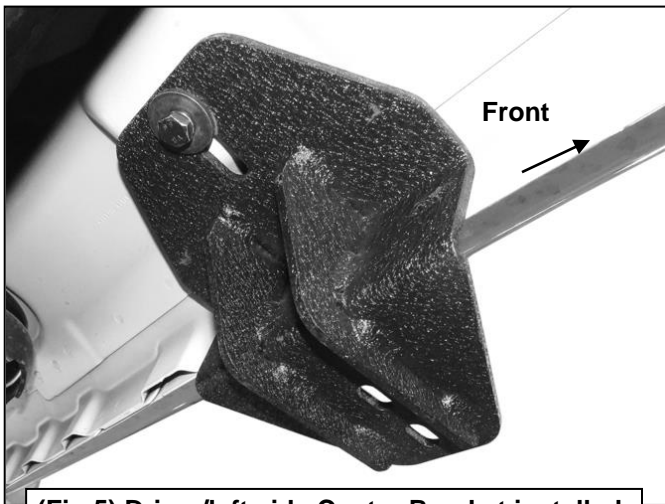


(Fig 2) Front Mounting Bracket

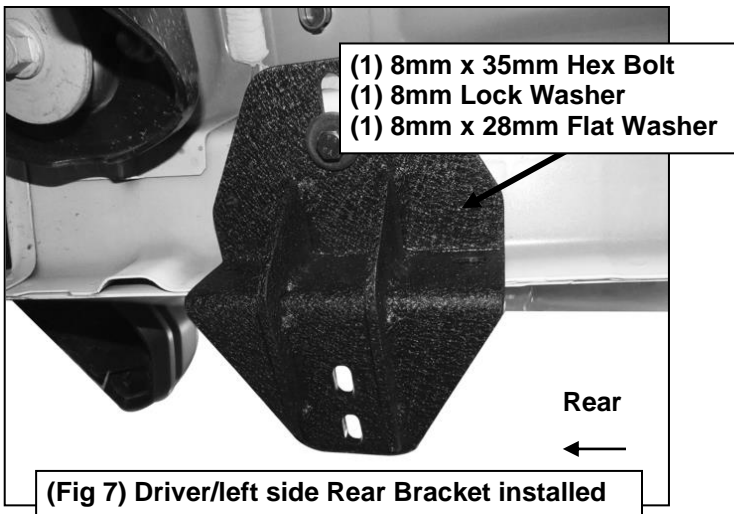
Driver/Left Side Installation Pictured



(Fig 3) Driver/left side Front Bracket installed

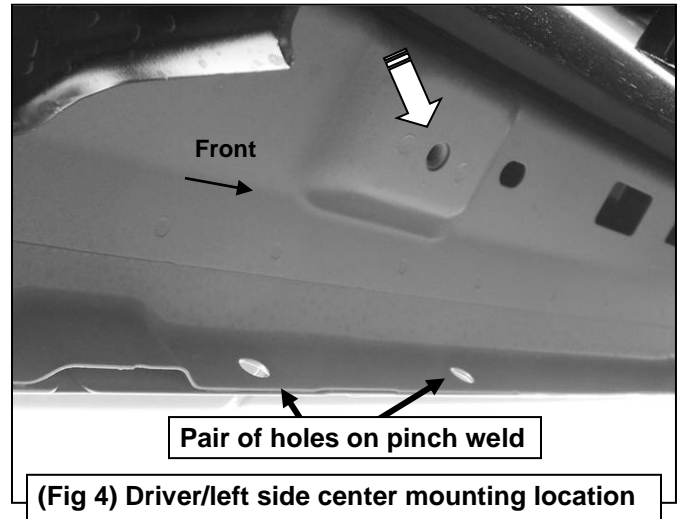


(Fig 5) Driver/left side Center Bracket installed



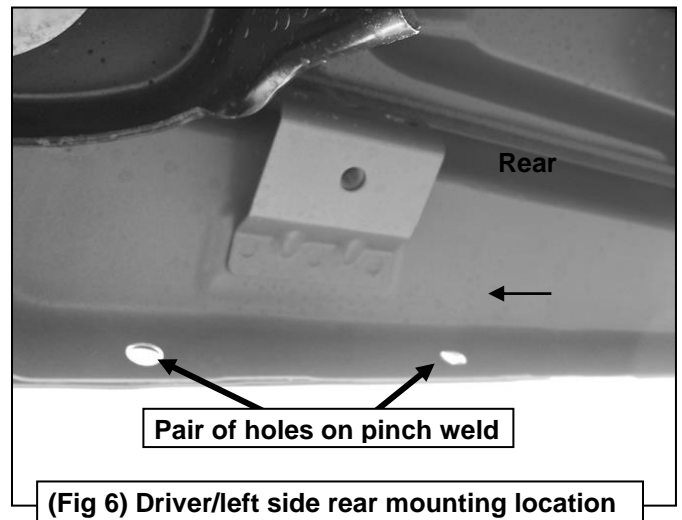
(Fig 7) Driver/left side Rear Bracket installed

NOTE: Before installing Bracket, insert an 8mm Hex Bolt through each hole along the pinch weld to determine if drilling is required.



Pair of holes on pinch weld

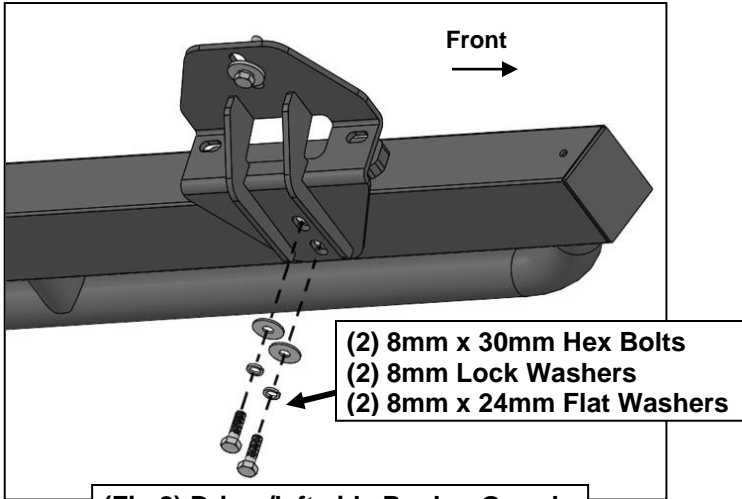
(Fig 4) Driver/left side center mounting location



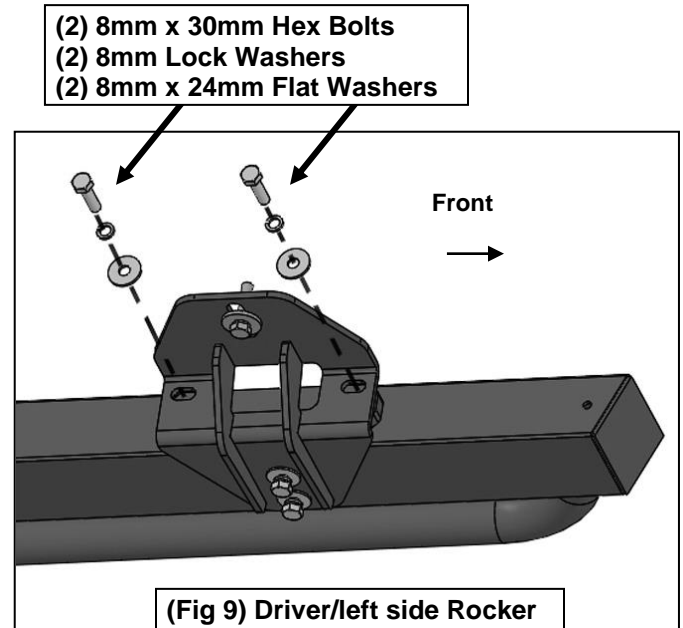
Pair of holes on pinch weld

(Fig 6) Driver/left side rear mounting location

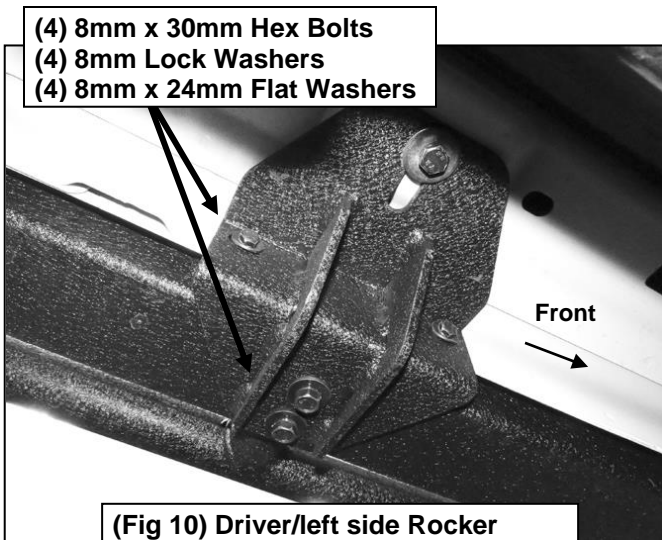
Driver/left Side Installation Pictured



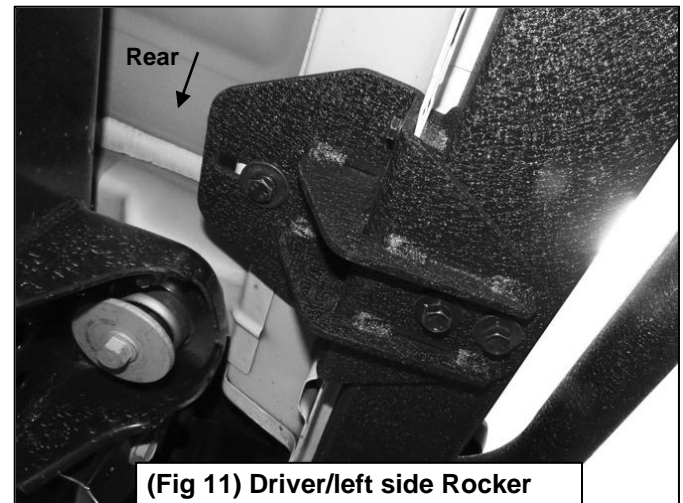
(Fig 8) Driver/left side Rocker Guard attached to the Front Bracket



(Fig 9) Driver/left side Rocker Guard attached to pinch weld



(Fig 10) Driver/left side Rocker Guard attached to Center Bracket



(Fig 11) Driver/left side Rocker Guard attached to Rear Bracket



Complete Installation