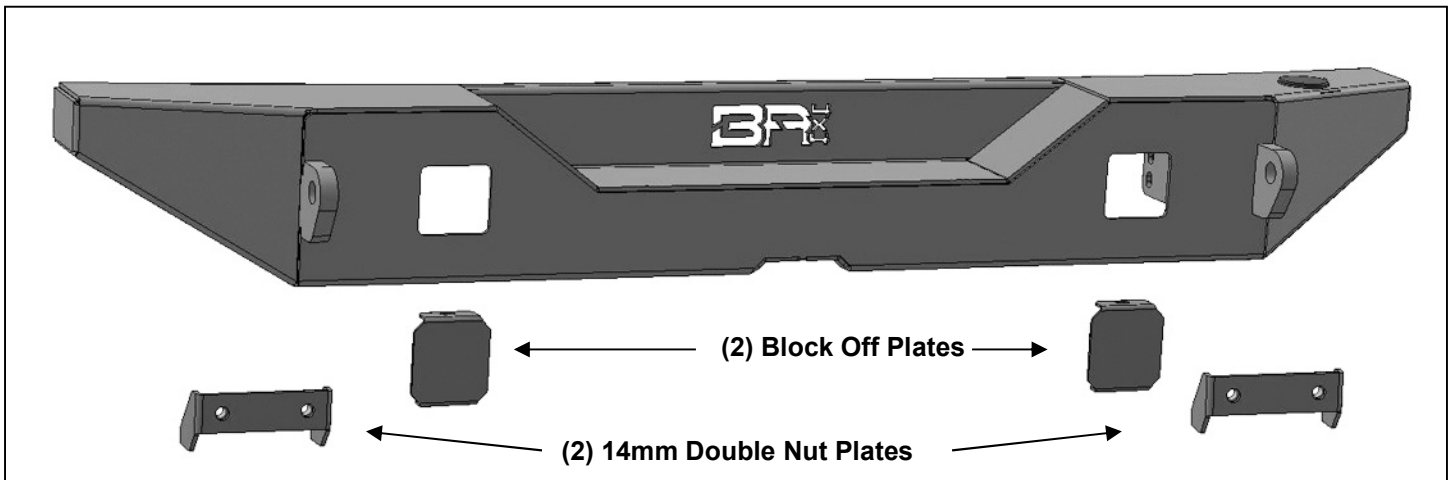


2007-2018 WRANGLER JK FULL WIDTH REAR BUMPER (FITS 5297 CARRIER) PART #JK-2965

PARTS LIST:

1	Rear Bumper	4	14mm x 28mm x 3mm Flat Washers
2	Bumper Fill Panels	4	14mm Lock Washers
2	14-1.75mm Double Nut Plate	4	6-1.0mm x 20mm Button Head Combo Bolts
4	14-1.75mm x 40mm Hex Bolts	4	6-1.0mm Flange Nuts
		1	4mm Wrench



PROCEDURE:

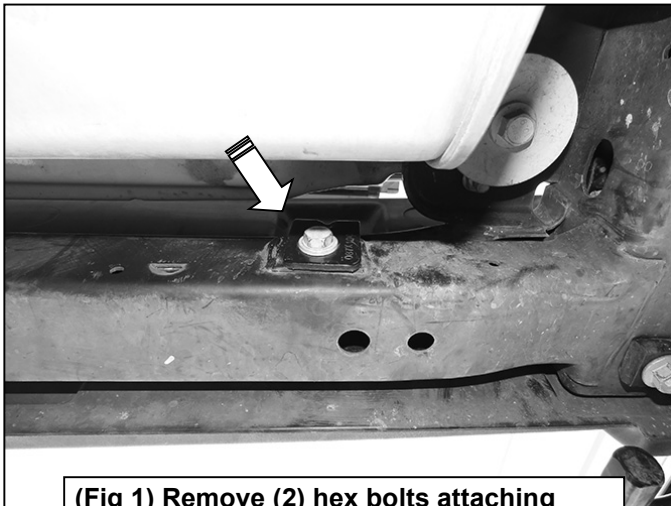
REMOVE CONTENTS FROM BOX. VERIFY ALL PARTS ARE PRESENT. READ INSTRUCTIONS CAREFULLY BEFORE STARTING INSTALLATION. ASSISTANCE IS RECOMMENDED.

WARNING: ALLOW TIME FOR THE MUFFLER TO COOL BEFORE REMOVING REAR BUMPER.

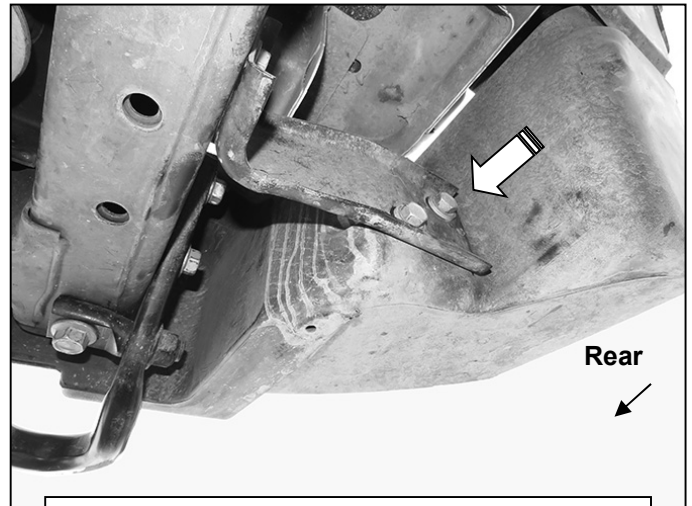
- Start installation from under the rear bumper. Remove the hardware attaching the center of the bumper to the crossmember, **(Figure 1)**. **NOTE:** Assistance is recommended to hold the bumper in place as hardware is removed. Next, remove the hardware attaching the outer bumper end to the end of the bracket, **(Figure 2)**. Repeat to release the passenger/right side of the bumper. With assistance, remove the bumper from the end of the frame, **(Figure 3)**.
- Locate and remove the (2) hex bolts attaching the driver/left outer support bracket running from the side of the frame to the outer end of the bumper, **(Figure 3)**. Also remove the tow hook from the driver/left side of the frame, **(Figure 3)**. Repeat this Step to remove the outer support bracket from the passenger/right side of the vehicle.
- Optional light or Block Off Plate installation, (light sold separately).**
 - Attach light to mounting tab on back of driver/left side of the Bumper, **(Figure 4)**. **NOTE:** It may be easier to install lights before attaching Bumper to vehicle.
 - If light will not be installed at this time, attach the included Block Off Plate to the tabs on the back of the Bumper with the included (2) 6mm x 20mm Button Head Combo Bolts and (2) 6mm Flange Nuts, **(Figure 4)**.
 - Repeat the appropriate previous Step on the passenger/right side of the Bumper.
- Bumper is compatible with Swing Tire Mount, (available separately). Follow the instructions included with the Tire Mount to attach the Spindle for the Swing Tire Mount to the back of the Bumper at this time.

5. Select (1) 14mm Double Nut Plate. Insert the Nut Plate into the end of the driver/left side frame channel, **(Figure 5)**. Line up the hex nuts on the Nut Plate with the large slots in the side of the frame, **(Figure 6)**. Repeat to insert the remaining Double Nut Plate in the passenger/right side of the frame.
6. With assistance, carefully position the Rear Bumper Assembly up to the outside of the frame. Use the provided (2) 14mm x 40mm Hex Bolts, (2) 14mm Lock Washers and (2) 14mm Flat Washers to attach the Bumper to the 14mm Nut Plate inside the driver/left frame channel, **(Figure 7)**. Reuse the (2) factory bolts to attach the Bumper to the outside of the frame, **(Figures 7 & 8)**. Leave hardware loose. Repeat this Step to attach the passenger/right side of the Bumper to the outside of the frame.
7. Level and adjust the Rear Bumper and tighten all hardware at this time.
8. Do periodic inspections to the installation to make sure that all hardware is secure and tight.

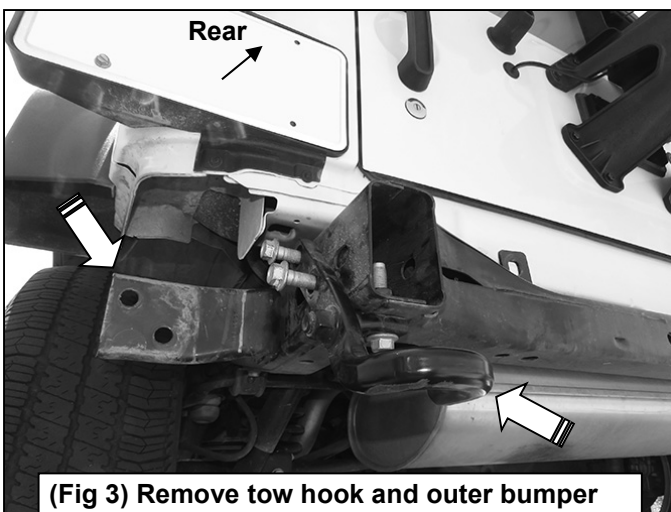
To protect your investment, do not use any type of polish or wax that may contain abrasives that could damage the finish. Mild soap may be used to clean Bumper



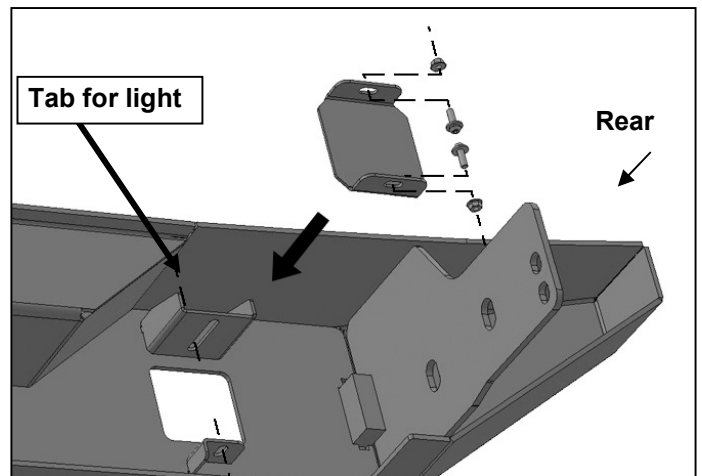
(Fig 1) Remove (2) hex bolts attaching bottom of bumper to frame cross member



(Fig 2) Remove (2) outer bumper bracket bolts



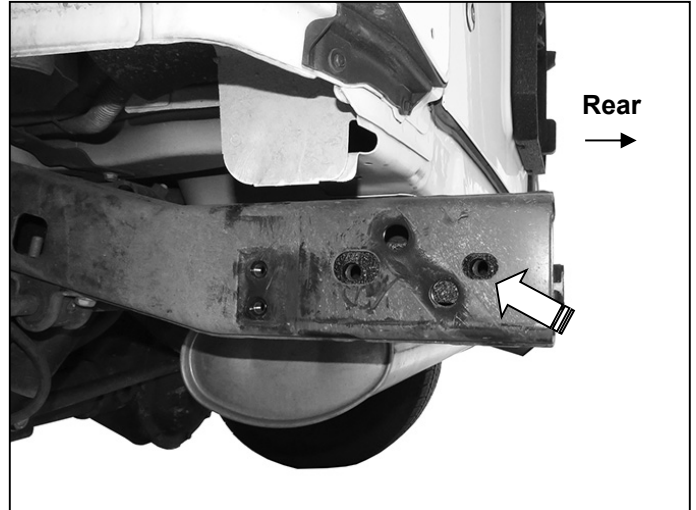
(Fig 3) Remove tow hook and outer bumper bracket from driver/left side of frame (arrows)



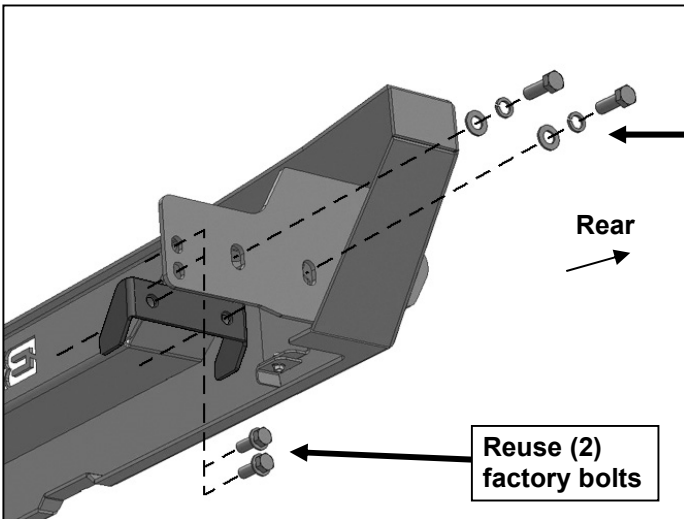
(Fig 4) Attach Block Off Plate or light (available separately) to tabs on back of Bumper (optional)



(Fig 5) Insert 14mm Double Nut Plate into open end of frame (driver/left side pictured)



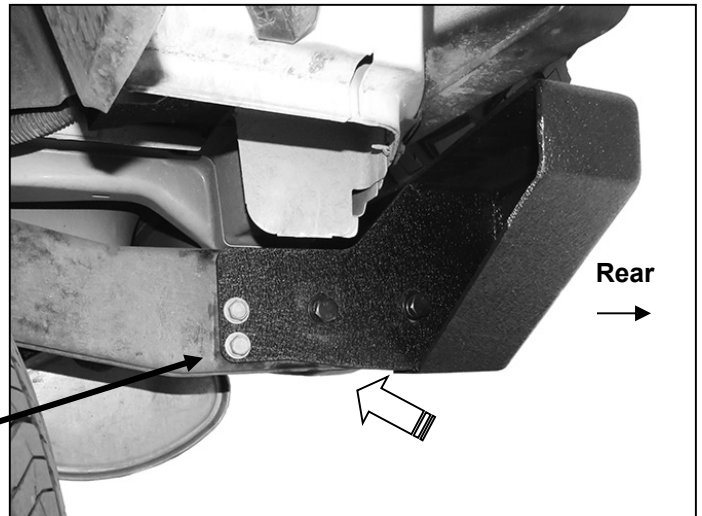
(Fig 6) Line up Double Nut Plate with slots in side of frame (driver/left side pictured)



(Fig 7) Attach the driver/left side of the Bumper to the Nut Plate in frame and threaded holes

- (2) 14mm Hex Bolts
- (2) 14mm Lock Washers
- (2) 14mm Flat Washers

Reuse (2) factory bolts



(Fig 8) Attach the driver/left side of the Bumper to the Nut Plate in frame and threaded holes