



Body Armor 4x4 by Tolar Mfg.  
1932 Elise Circle, Corona CA 92879  
Ph: 951-808-0750

Customer service hours:  
7 AM to 4:30pm M-TH 8AM-12PM F  
[www.bodyarmor4x4.com](http://www.bodyarmor4x4.com)



#### Installation instructions for Toyota FJ FJ-4122 RockSteps

- \*\* Inspect RockSteps and all parts prior to installation. Contact us at 951-808-0750 for missing parts.
- \*\* If there is any freight damage, contact the company where you purchased the product. They will be able to process a freight claim or direct you to us if your order was shipped directly from Body Armor.

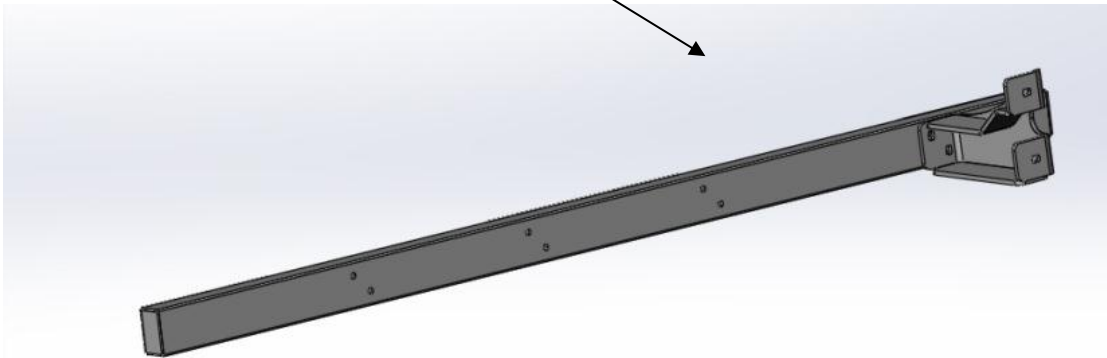
#### Hardware list:

- 8MMx125x30M hex head bolts qty. 32
- 8MM flat washers qty. 32
- 8MM lock washers qty. 32

## Installing RockStep:

We recommend you have help with lifting of the Trail Steps to avoid injury or damage to Trail Steps and vehicle.

- 1 If vehicle is equipped factory steps, remove at this time.
- 2 Install step brackets to Rock Steps using M8 hardware.



- 3 Mount RockSteps to Factory Step mount locations using hardware provided. Leave loose at this time.
- 4 Lift the RockStep and align the brackets to the existing hole locations on the frame. You will see threaded nuts inside the frame rails, those are your mounting points. Leave all bolts loose until all hardware is installed. This will help with alignment. Once all hardware is installed then tight

**Note: Recheck all hardware after the first couple hundred miles. It is advised to inspect the bumper and hardware periodically.**

**Do not return this product to the dealer if there is a question or concern about a possible defect, contact us directly and we will make every effort to resolve the issue as quickly as possible. 1-951-808-0750 or [kneubauer@tolarmfg.com](mailto:kneubauer@tolarmfg.com)**

**\*\* Body Armor warranty policy: Body Armor 4x4 warrants this product to be free from manufacturer defects for the life of the product. Damage to the product is not considered a defect; abuse of the product is not considered a defect. If fitment issues occur during the installation is not considered to be a defect, call our office to resolve fitment or installation questions. 951-808-0750. Body Armor 4x4 warranty's the paint for 90 days from date of purchase. Rust is not a warrantable defect as we cannot control proper maintenance of the product or environmental variables. We use the highest quality powder coat process as well as an E-Coat undercoating, this allows for the maximum corrosion resistance available. Proper maintenance is required to maintain the long term luster of the paint. Touch rock chips with a quality flat black spray paint or automotive touch up paint.**