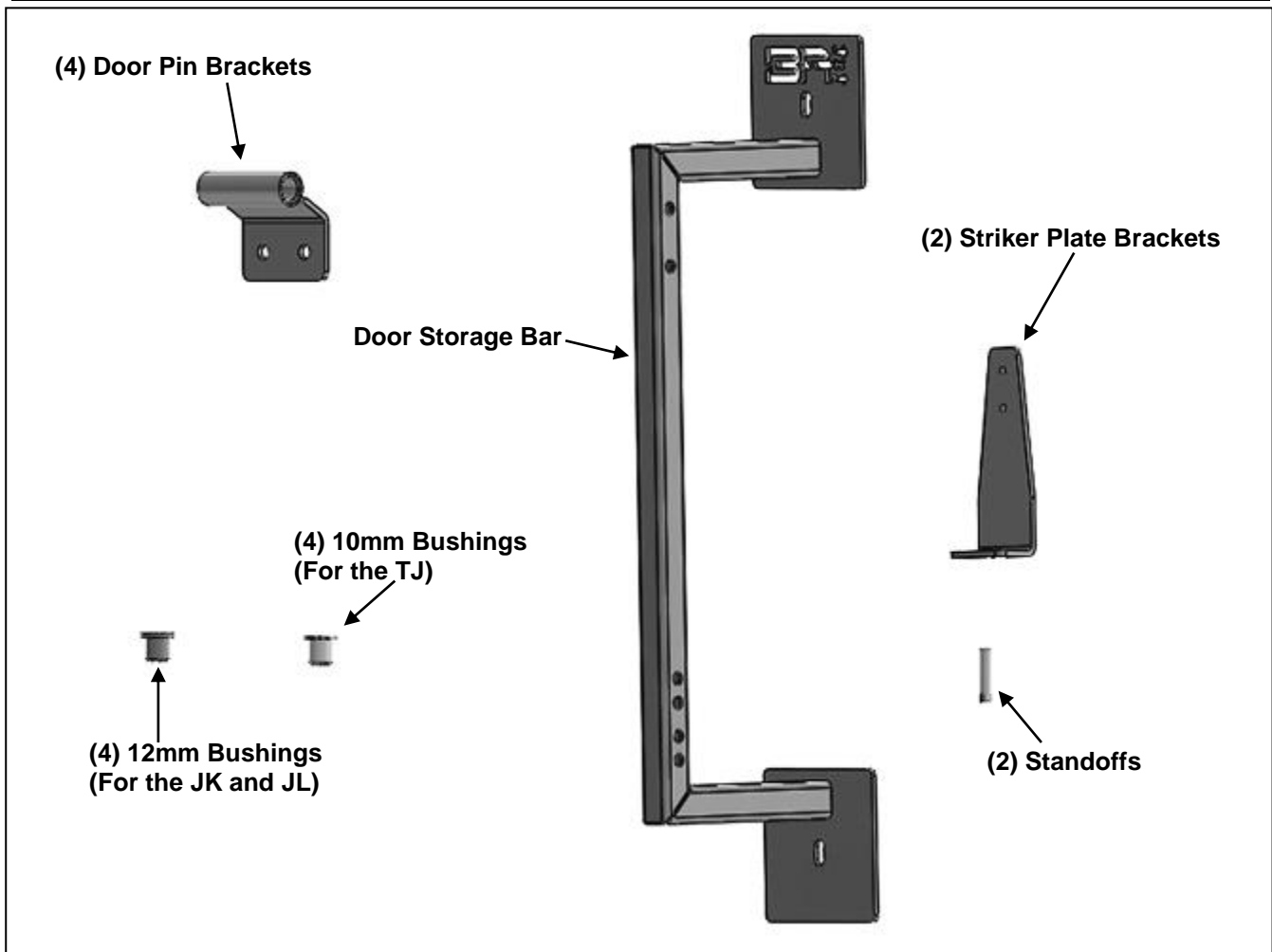


Jeep Door Storage Bar PART#5145

PARTS LIST:

1	Door Storage Bar	2	5/16in Wood Screws
4	Wrangler JL/JK 12mm Bushings	2	5/16in Lock Washers
4	Wrangler TJ 10mm Bushings	2	5/16in Flat Washers
2	Striker Plate Brackets	4	4mm x 20mm Button Head Bolts
2	Standoffs (Door Latch Pins)	4	4mm x 12mm x 1.0mm Flat Washers
4	Door Hinge Brackets	4	4mm x 20mm Wood Screws
4	8mm x 55mm Hex Bolts	4	4mm Lock Washers
10	8mm x 16mm x 1.6mm Flat Washers	4	4mm x 8.65mm x 0.8mm Flat Washers
4	8mm Nylon Lock Nuts	1	4mm Hex Wrench

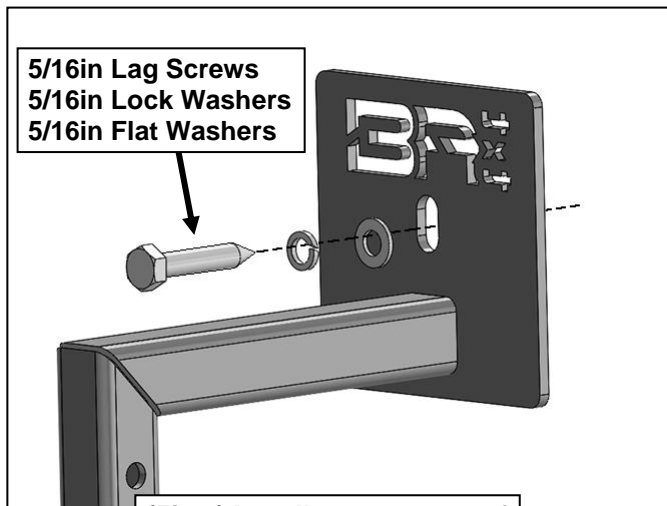


PROCEDURE:

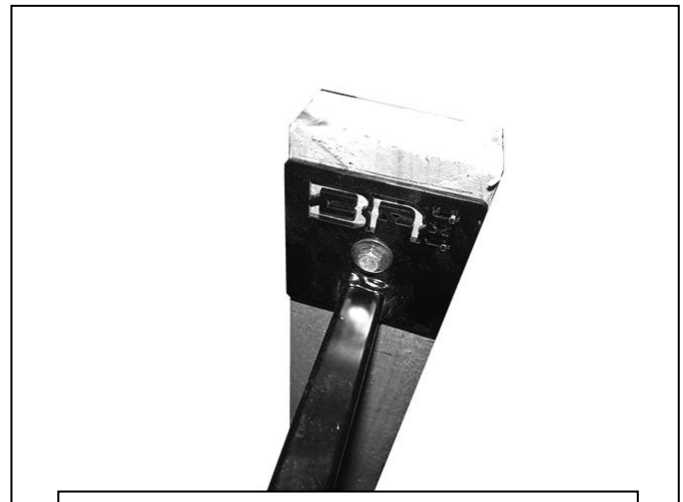
REMOVE CONTENTS FROM BOX. VERIFY ALL PARTS ARE PRESENT. READ INSTRUCTIONS CAREFULLY BEFORE STARTING INSTALLATION. ASSISTANCE IS REQUIRED.

1. Find a wooden stud in the wall in the selected location. Hold up the Door Storage Bar to the wall. Level, adjust and mark both upper and lower screw locations. Drill a pilot hole in marked locations.

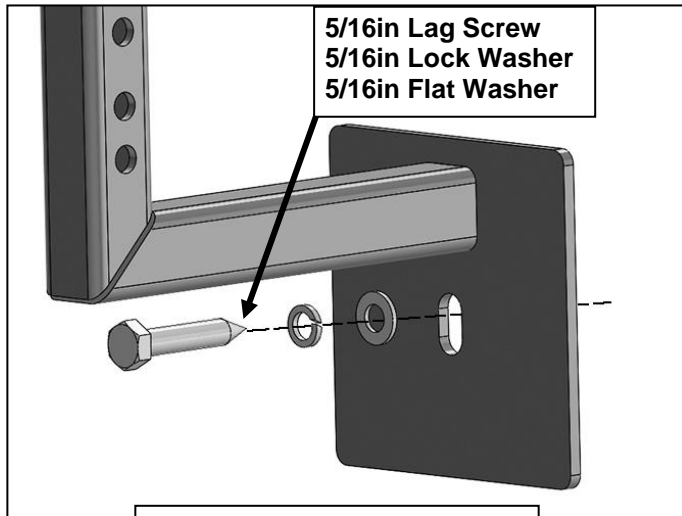
2. Select the Door Storage Bar. Install upper Mounting Plate with (1) 5/16in x 1 1/2in Wood Screw, (**Figure 1 & 2**). Do not tighten hardware at this time.
3. Repeat **Step 2** to install the lower plate, (**Figures 3 & 4**). Tighten all installed hardware.
4. Select (2) Hinge Brackets. Attach Brackets to the upper mounting holes in the Door Storage Bar with (2) 8mm x 55mm Hex Bolts, (4) 8mm Flat Washers and (2) 8mm Nylon Lock Nuts, (**Figure 5**).
5. Select remaining (2) Hinge Brackets. Determine the model of the vehicles. **For JK and JL models** attach to the first and third holes, repeat **Step 4** to install, (**Figure 6**). **For TJ models** attach to the second and fourth holes, repeat **Step 4** to install, (**Figure 7**).
6. **For JK and JL models**, select (4) 12mm Bushings and push them into the top of the tube on the Hinge Bracket holes. **For TJ models**, select (4) 10mm Bushings and push them in the top of the tube on the Hinge Bracket, (**Figures 8 & 9**).
7. Select (1) Standoff pin and attach to the Striker Bracket with (1) 4mm x 20mm Button Head Bolt and (2) 4mm Flat Washers, (**Figure 10**).
8. Using (1) piece of plywood (**Not included**), mount onto the (2) studs on either side of where the Striker Plate to prevent the plates from damaging the walls. Use the door to determine the location on the wall. Mark the locations for the screws. Install Striker Plate Brackets with (2) 4mm x 20mm Wood Screws, (2) 4mm Lock Washers and (2) 4mm x 8.65mm Flat Washers, (**Figure 11**). Repeat this **Step** to install wood and plate for the other door.
9. Do periodic inspections of the installation to make sure that all hardware is secure and tight.



(Fig 1) Install screw to top of Door Storage Bar to wall



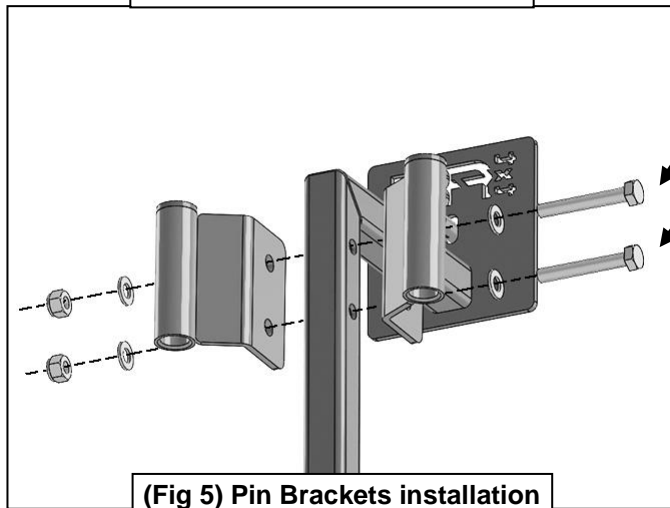
(Fig 2) Door Storage Bar top screw installed



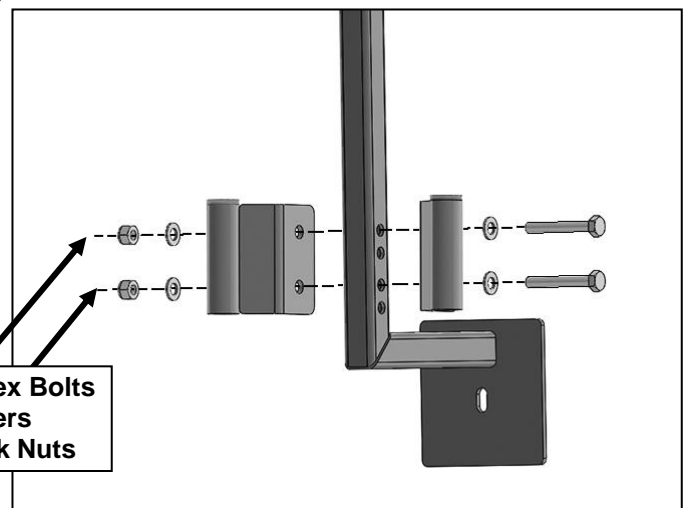
(Fig 3) Install screw to bottom of Door Storage Bar to wall



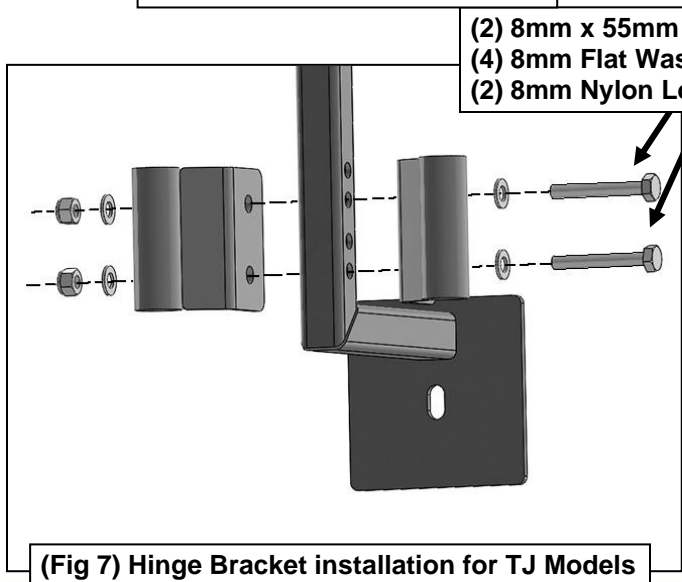
(Fig 4) Door Storage Bar bottom screw installed



(Fig 5) Pin Brackets installation on the top of the Storage Bar



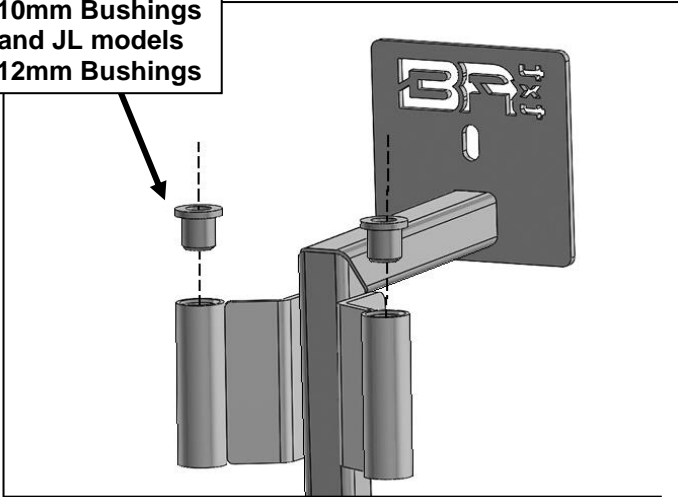
(Fig 6) Hinge Bracket installation for JL and JK Models



(Fig 7) Hinge Bracket installation for TJ Models

INSTALLATION INSTRUCTIONS

- TJ models
(2) 10mm Bushings
- JK and JL models
(2) 12mm Bushings

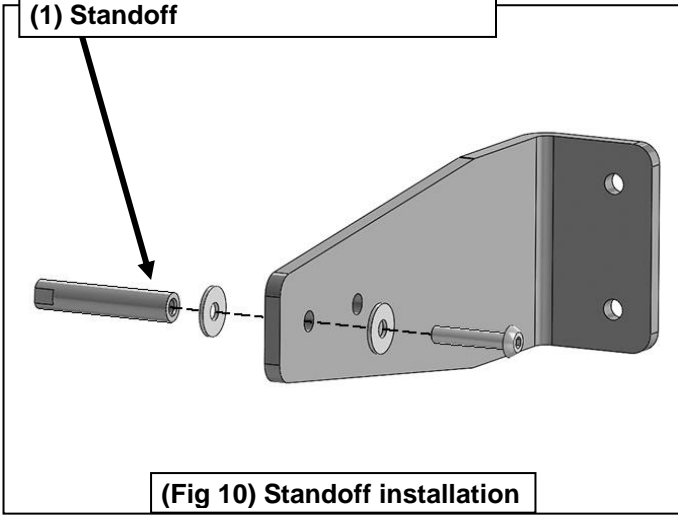


(Fig 8) TJ models will use (4) 10mm Bushings, JK and JL models will use (4) 12mm Bushings.



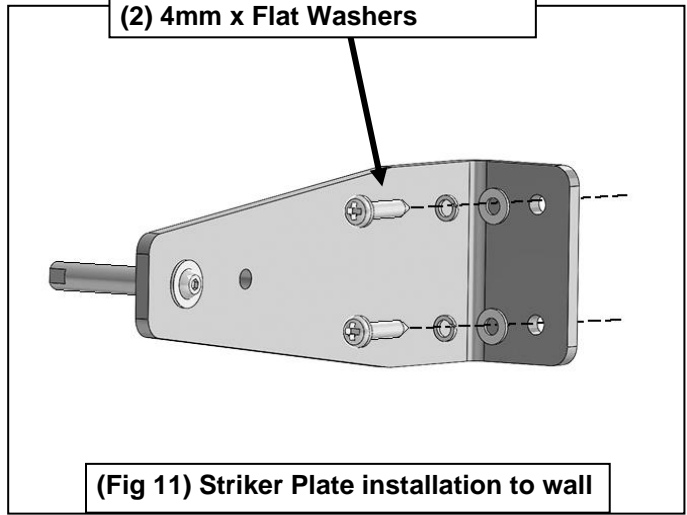
(Fig 9) Bushings and doors installed

- (1) 4mm x 20mm Button Head Bolts
- (2) 4mm x 12mm Flat Washers
- (1) Standoff

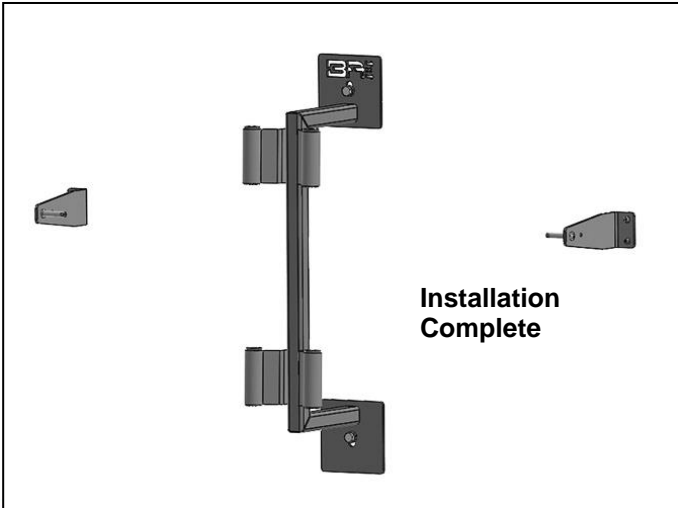


(Fig 10) Standoff installation

- (2) 4mm x 20mm Wood Screws
- (2) 4mm Lock Washers
- (2) 4mm x Flat Washers



(Fig 11) Striker Plate installation to wall



Installation Complete