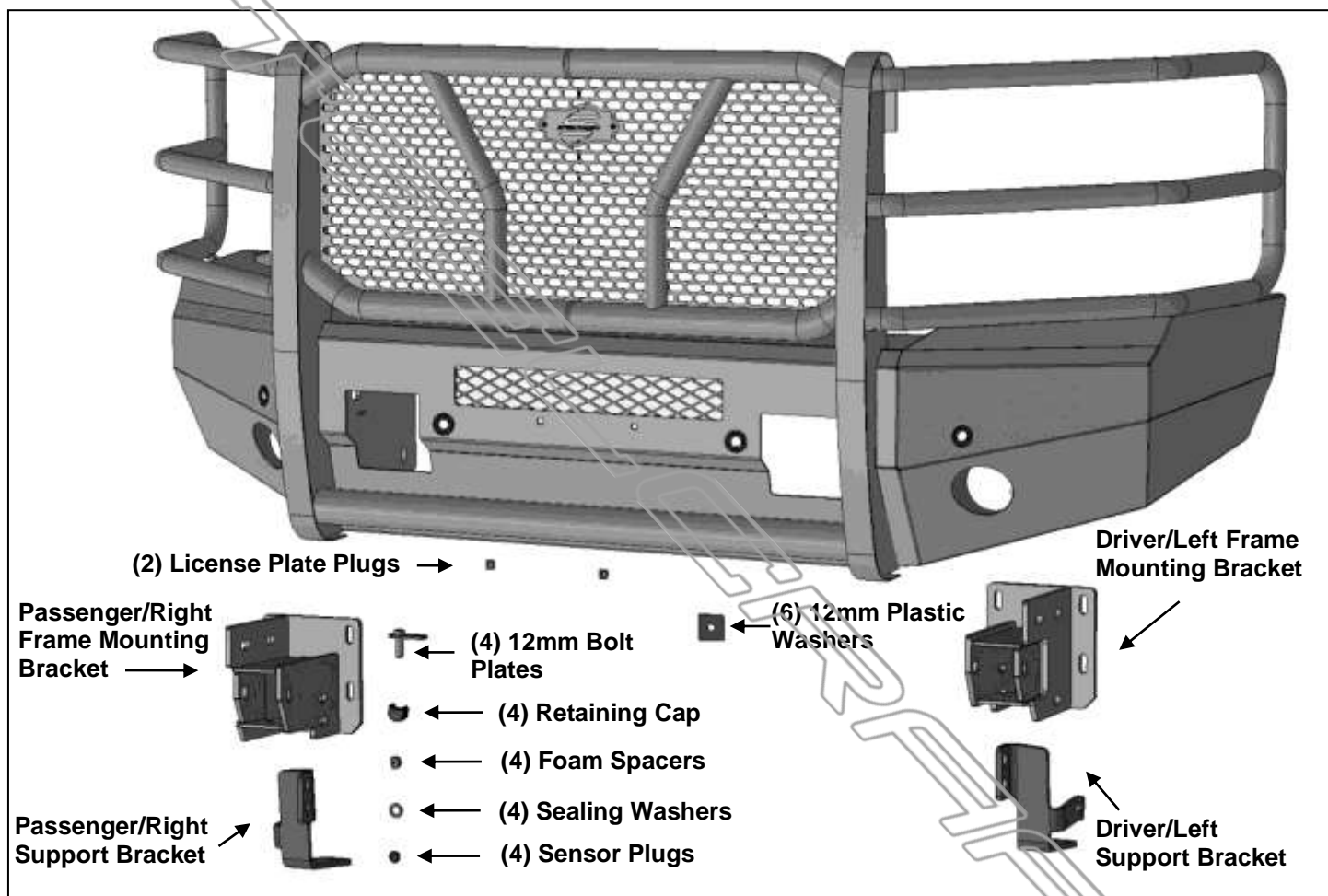


**ALUMINUM ELEVATION FRONT BUMPER
2015-19 CHEVY SILVERADO 25-3500**

PARTS LIST:

1	Front bumper	1	Sensor Covers Kit
1	Driver/left Mounting Bracket	2	Plastic Plugs for License Plate
1	Passenger/right Mounting Bracket	6	12mm Plastic Washers
1	Driver/left Lower Support Bracket	4	12mm x 40mm Bolt Plate
1	Passenger/right Lower Support Bracket	10	12-1.75mm x 50mm Hex Bolts
4	Sealing Washers	24	12mm x 37mm OD x 3mm Flat Washers
4	20mm x 10mm Foam Spacers	14	12mm Lock Washers
4	Sensor Retaining Cap	14	12mm Hex Nuts
4	Sensor Hole Plugs	8	4mm x 10mm Button Head Screws



RECOMMENDED TO REPLACE THE 12MM HEX BOLTS ON AN ANNUAL BASIS

PROCEDURE:

REMOVE CONTENTS FROM BOX. VERIFY ALL PARTS ARE PRESENT. READ INSTRUCTIONS CAREFULLY BEFORE STARTING INSTALLATION. BUMPER IS HEAVY, ASSISTANCE IS HIGHLY RECOMMENDED TO AVOID POSSIBLE INJURY OR DAMAGE TO THE VEHICLE.

1. Open the hood and remove the plastic cover from the top of the radiator and grille, **(Figure 1)**. Temporarily remove the plastic grille.
2. Remove the license plate and bracket. On models with factory fog lights and/or sensors, unplug all harnesses leading to the front bumper. Move all harnesses away from bumper.
3. Next, remove the hardware at each end of the bumper attaching the bumper to the outer bumper supports, **(Figure 2)**.
4. Place blocks or jack stands under the front bumper to support it during mounting bolt removal. Once the bumper has been safely supported, from above the bumper, remove the (2) factory bumper bolts from

**ALUMINUM ELEVATION FRONT BUMPER
2015-19 CHEVY SILVERADO 25-3500**

each side, **(Figure 3)**. **WARNING!** Assistance is required to hold the bumper in place during bolt removal to prevent the bumper from falling. Remove the bumper assembly.

5. Remove the factory bumper brackets and tow hooks from the end of frame, **(Figure 4)**.
6. Select (2) 12mm Bolt Plates. Insert Bolt Plates into the driver/left end of the frame and out the bottom and side, **(Figure 5)**. Select the driver/left Support Bracket. Attach the Bracket to the outside of the frame and to the Bolt Plates with the included (2) 12mm Flat Washers, (2) 12mm Lock Washers and (2) 12mm Hex Nuts, **(Figures 6 & 7)**. Leave hardware loose at this time.
7. Next, slide the driver/left Frame Mounting Bracket down and into position between the Support Bracket and the end of the frame, **(Figure 8)**. Attach the Support Bracket the Frame Bracket with (2) 12mm x 50mm Hex Bolts, (4) 12mm Flat Washers, (2) 12mm Lock Washers and (2) 12mm Hex Nuts, **(Figure 8)**. Reuse the (4) factory bumper bracket bolts to attach the Frame Bracket to the end of the frame, **(Figure 9)**. Snug but do not fully tighten the hardware at this time.
8. Select (1) tow hook. Insert the tow hook into the opening in the driver/left Frame Bracket, **(Figure 9)**. Insert the long factory tow hook bolt through the outside of the Bracket, the tow hook and the inner plate on the Bracket. Secure with the factory hex nut. **IMPORTANT:** The long hex bolt must be inserted from the outside of the Bracket to the inside to clear the mounting plate on the Bumper. Reuse the short factory tow hook hex bolt to attach the tow hook to the bottom plate on the Bracket, **(Figure 9)**. Fully tighten the tow hook hardware only at this time.
9. Repeat **Steps 6—8** to install the passenger/right side Brackets and tow hook.
10. Carefully remove both fog light assemblies, all sensors and the wiring harness from the back of the OE bumper if equipped. Note location of each sensor for correct reinstallation.

Models without bumper sensors:

- a. Insert (1) Plug into the outer hole in the Sensor Mount, **(Figure 10)**.
- b. Repeat these Steps to plug remaining (3) mounting holes in Bumper. Continue to **Step 11**.

Models with bumper mounted sensors:

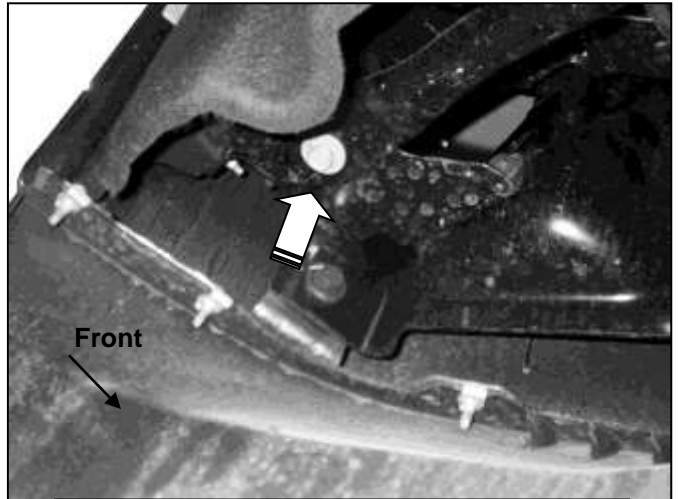
- a. Select the driver/left outer sensor. Remove the seal from the end of the sensor, **(Figure 11)**. Replace the seal with the included larger Foam Seal.
 - b. Push the sensor into the Mount from the back of the Bumper until it is flush with the front of the Mount.
 - c. Push (1) Foam Spacer onto the back end of the sensor, **(Figure 12)**.
 - d. Snap (1) Sensor Retaining Cap onto the Sensor Mount, **(Figure 12)**.
 - e. Repeat the previous Steps to install the remaining sensors in order from factory bumper.
11. Install the factory bumper wiring harness for sensors and fog lights as equipped. Run wiring harness over or through Brackets to reach sensors.
 12. With assistance, position the Bumper Assembly up to the Brackets. Temporarily support the weight of the Bumper. **WARNING:** To avoid possible injury or damage to the vehicle, do not proceed until the Bumper is fully and safely supported.
 13. Attach the Bumper to the driver/left Bracket with the included (3) 12mm x 50mm Hex Bolts, (6) 12mm Flat Washers, (3) 12mm Plastic Washers and (3) 12mm Nylon Lock Nuts, **(Figures 13 & 14)**. **IMPORTANT:** Place the Plastic Washers between the outer 12mm Flat Washers and the mounting plate on the Bumper to minimize corrosion. Repeat this Step to attach the passenger/right side of the Bumper. Snug but do not tighten hardware.
 14. Level and adjust the bumper and fully tighten all 12mm hardware to 65-70ft-lbs.
 15. **Models with fog lights:**
 - a. Slide the driver/left fog light into place through the opening in the bumper, **(Figure 15)**. Carefully push the attaching posts into the tabs on the bumper, **(Figure 16)**. Repeat this **Step** to install the passenger/right fog light.
 - b. Plug harness into fog lights.
 16. Use the included (2) push-in Plastic Nuts to attach the front license plate, (if required), to the (2) holes in the front Bumper, **(Figure 17)**.
 17. Back of Bumper is equipped with mounting tabs for LED center light. Follow manufacturer's installation and wiring instructions for proper installation.
 18. Do periodic inspections to the installation to make sure that all hardware is secure and tight.

**ALUMINUM ELEVATION FRONT BUMPER
2015-19 CHEVY SILVERADO 25-3500**

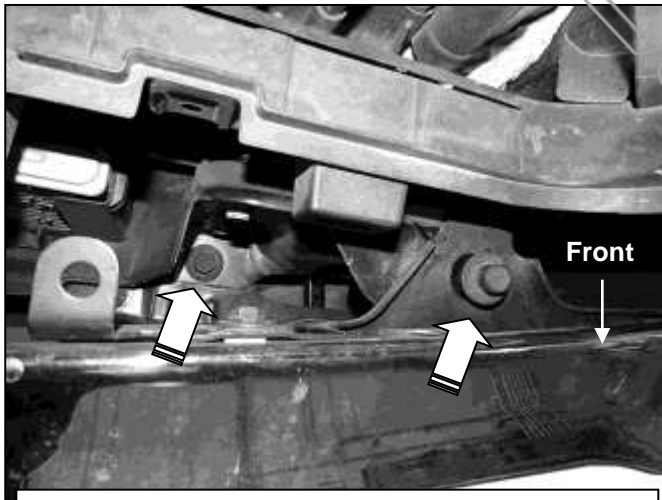
To protect your investment, Do not use any type of polish or wax that may contain abrasives that could damage the finish. Mild soap may be used to clean the Front Bumper assembly.



(Fig 1) Remove plastic cover and grille

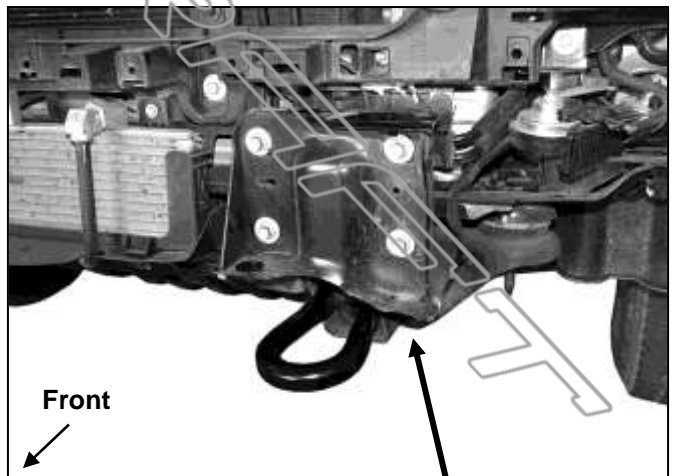


(Fig 2) Remove bumper supports attaching outer end of bumper to frame (arrow)



(Fig 3) Remove bumper bolts (arrows) to remove bumper (driver side pictured from above)

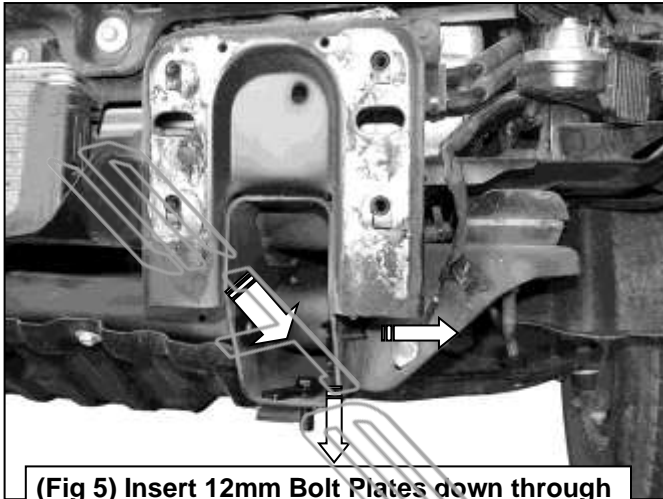
WARNING! Do not remove bumper bolts unless the bumper is properly supported on blocks or stands or it may fall.



(Fig 4) Remove bumper brackets and tow hooks

**ALUMINUM ELEVATION FRONT BUMPER
2015-19 CHEVY SILVERADO 25-3500**

Driver Side Installation Pictured



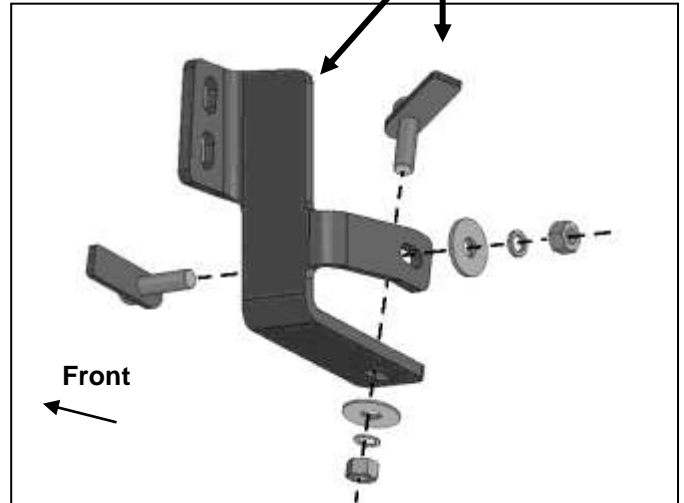
(Fig 5) Insert 12mm Bolt Plates down through hole in bottom and out the side of the frame



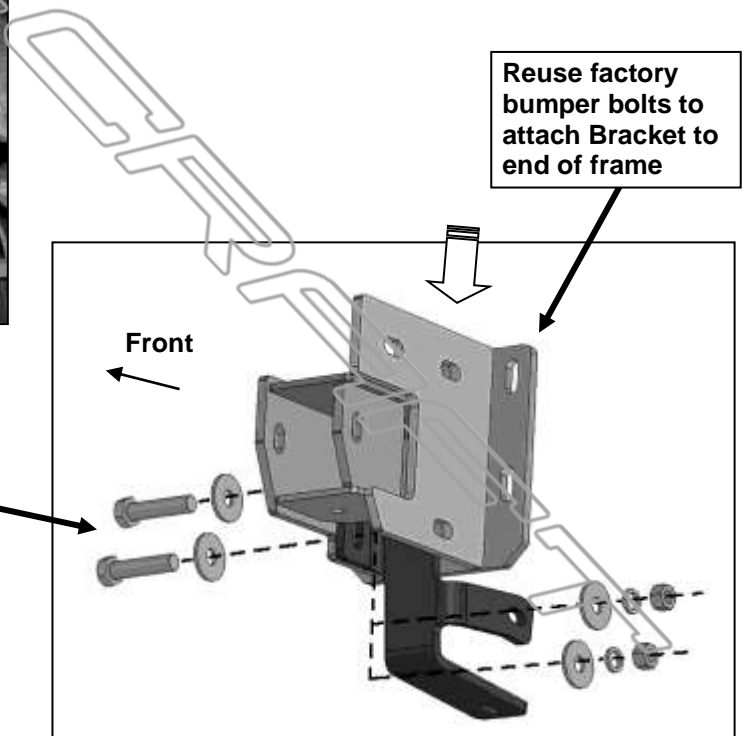
(Fig 7) Attach driver side Support Bracket

- (2) 12mm x 50mm Hex Bolts
- (4) 12mm Flat Washers
- (2) 12mm Lock Washers
- (2) 12mm Hex Nuts

- 12mm Bolt Plate
- 12mm Flat Washer
- 12mm Lock Washer
- 12mm Hex Nut

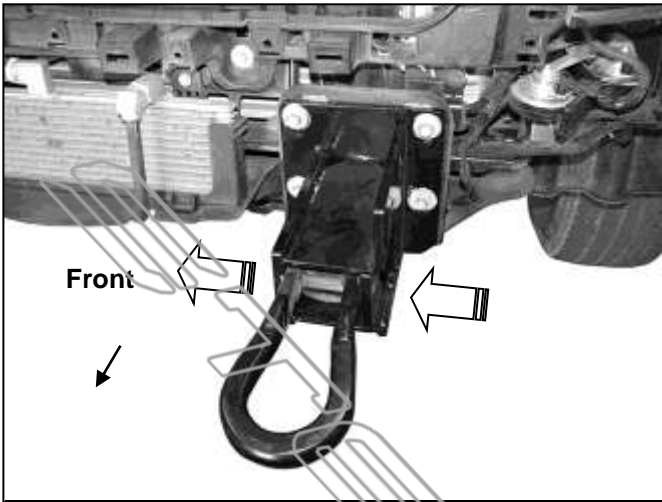


(Fig 6) Attach driver side Support Bracket to frame

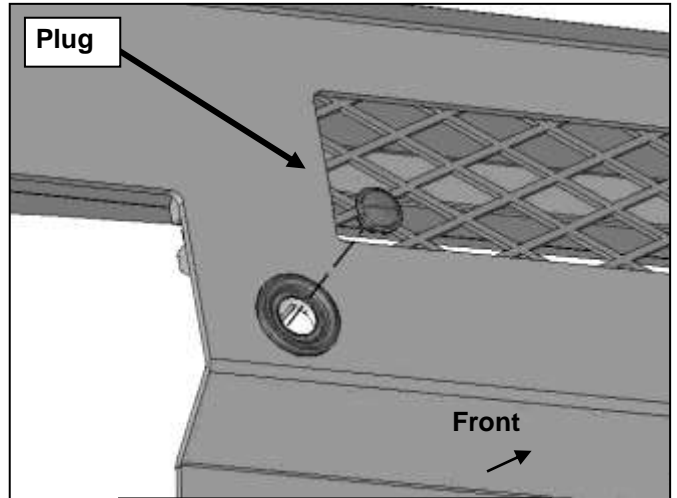


(Fig 8) Slide Mounting Bracket down between Support Bracket and mounting plate on end of frame

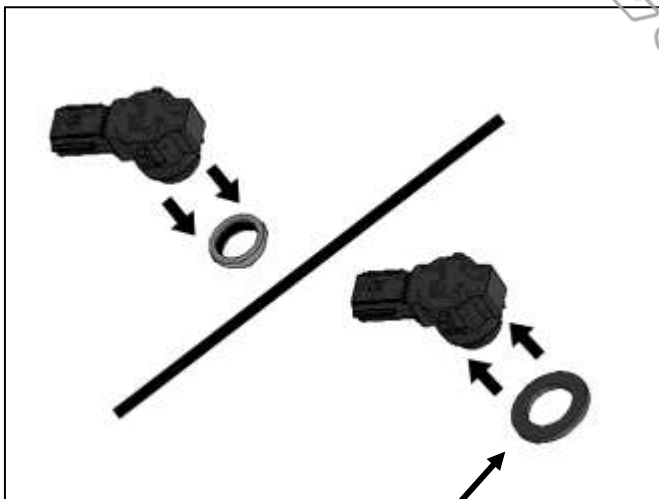
Driver Side Installation Pictured



(Fig 9) Reuse factory bumper bolts to attach Mounting Bracket to end of frame. Reuse factory tow hook hardware to attach tow hook to inside of Bracket. **IMPORTANT:** Insert long tow hook bolt from outside to inside only (see arrow)

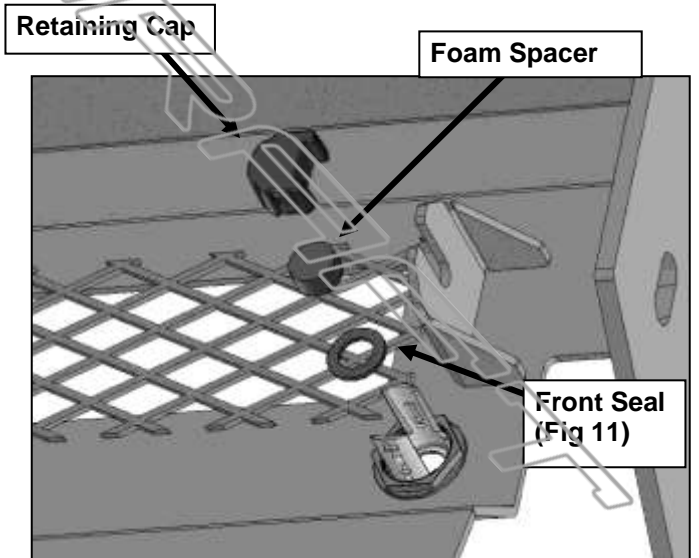


(Fig 10) Models without sensors, insert Plug into Mount



(Fig 11) Remove silicone seal from sensor. Slide large Seal over end of sensor (arrow)

WARNING! Do not crawl under bumper unless it is properly supported on blocks or stands or the bumper may fall.



(Fig 12) Insert sensor into back of Mount. Attach Foam Spacer to back of sensor. Snap Retaining Cap onto end of Mount, over sensor and Spacer

**ALUMINUM ELEVATION FRONT BUMPER
2015-19 CHEVY SILVERADO 25-3500**

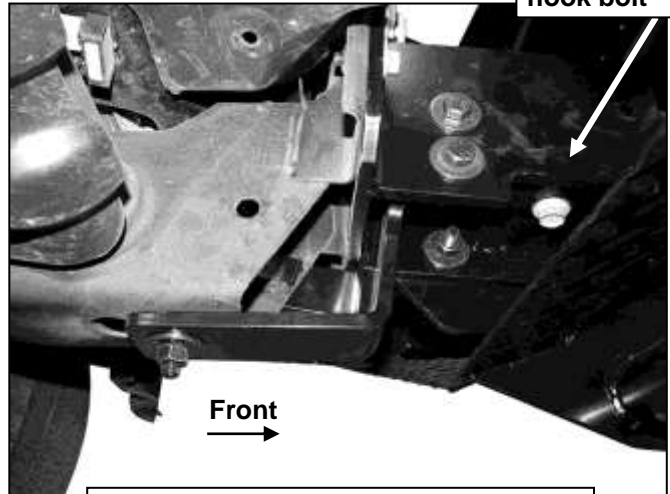
Driver side installation pictured

(3) Plastic Washers

**(3) 12mm x 50mm Hex Bolts
(6) 12mm Flat Washers
(3) 12mm Lock Washers
(3) 12mm Hex Nuts**

**Factory tow
hook bolt**

Front

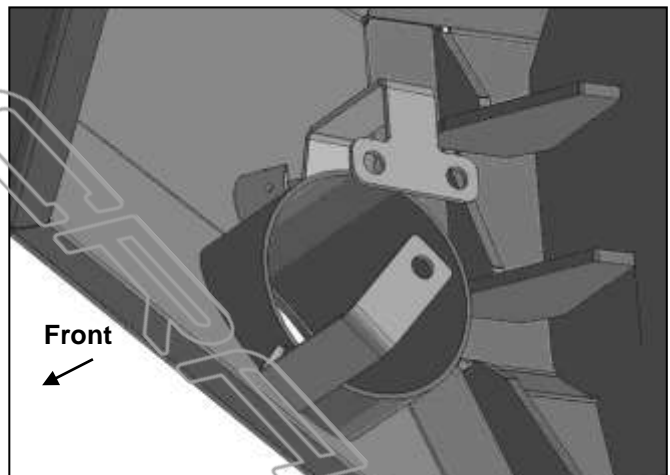


(Fig 13) Attach Bumper assembly to Frame Brackets

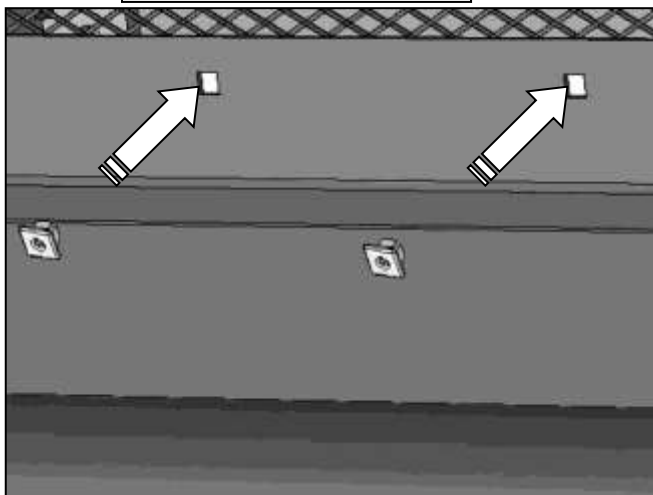
**(Fig 14) Installation of driver/left side
of Bumper pictured from below**



(Fig 15) Factory fog light



(Fig 16) Attach factory fog light to mounting tabs



**(Fig 17) Push plastic plugs into holes
in Bumper for license plate if required**

Special Note: While Aluminum does not rust, there is potential for galvanic corrosion if the coating is scratched between your bumper and the steel frame brackets + hardware (especially in extreme environments such as the coastlines or where road salt is used during winter). A visual inspection should be performed by the user at least on an annual basis to determine if excessive corrosion is present on or surrounding the hardware.