

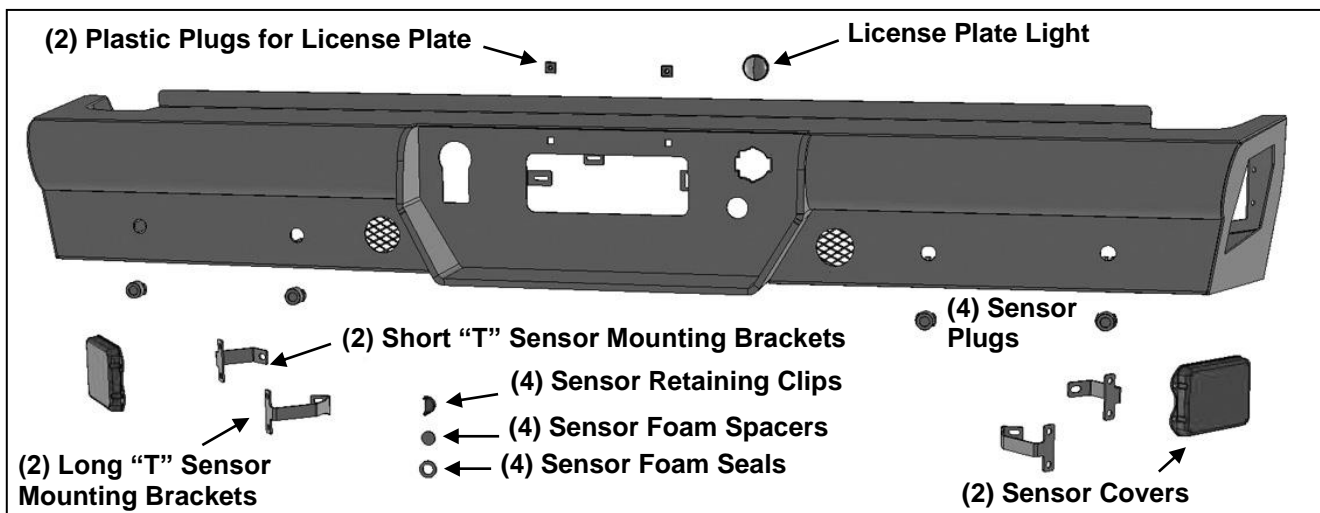
INSTALLATION INSTRUCTIONS

**HD REPLACEMENT REAR BUMPER
2019 SILVERADO 1500**

**HD REPLACEMENT REAR BUMPER
2019 SILVERADO 1500**

PARTS LIST:

1	HD Rear Bumper	4	12-1.75mm x 40mm Hex Bolts
2	Plastic Plugs for License Plate	8	12mm x 37mm x 3mm Flat Washers
1	License Plate Light	4	12mm Nylon Lock Nuts
2	Left or Right Long "T" Sensor Mount Brackets	8	6-1.0mm x 20mm Button Head Bolts
2	Left or Right Short "T" Sensor Mount Brackets	4	6mm x 20mm Hex Bolts
2	Plastic Sensor Covers	16	6mm x 18mm x 1.6mm Flat Washers
4	Sensor Foam Seals	12	6mm Lock Washers
4	Sensor Foam Spacers	12	6mm Hex Nuts
4	Sensor Retaining Clips	8	4-0.75mm x 10mm Button Head Bolts
4	Sensor Rubber Plugs	1	4mm Allen wrench
1	Sensor Cover Kit	1	2.5mm Allen Wrench



PROCEDURE:

REMOVE CONTENTS FROM BOX. VERIFY ALL PARTS ARE PRESENT. READ INSTRUCTIONS CAREFULLY BEFORE STARTING INSTALLATION. ASSISTANCE IS HIGHLY RECOMMENDED TO AVOID POSSIBLE INJURY OR DAMAGE TO THE VEHICLE.

- Remove the license plate and the (2) factory bolts behind the license plate, **(Figures 1 & 2)**.
- Unplug all wiring harnesses leading to the bumper, **(Figure 3)**. Unplug the trailer plug, **(Figure 4)**.
- Place blocks or jack stands under the bumper to support it during mounting bolt removal. Assistance is highly recommended to remove the bumper. Starting on the passenger/right side, remove the factory bolt attaching the side of the bumper to the bumper support bracket, **(Figure 5)**. Remove the (2) factory flange nuts attaching the bumper to the frame, **(Figure 6)**. Repeat this **Step** to remove the factory hardware on the driver/left side. With assistance, pull bumper straight out from vehicle.
- Move the OE rear bumper to stable surface. Unplug and remove the sensors, wiring harness, trailer plug, license lights, remote antenna with TPMS assembly bracket & the spare tire access key, as equipped, from the bumper, **(Figures 7—9)**.
- Determine if the vehicle is equipped with parking sensors, cross traffic sensors and remote antenna:

Models without bumper parking sensors:

 - Select the included (4) Rubber Plugs.
 - From behind bumper, push plugs into sensor mounting holes, **(Figure 10)**. Use the included 4mm Screws to lock the Plug in the sensor mount (optional).

Models with bumper mounted parking sensors:

 - Remove the silicone seal from the end of the sensor. Slide the included Foam Washer over front of sensor, **(Figure 11)**.
 - Attach (1) Foam Spacer to (1) Retaining Clip, **(Figure 12)**.
 - Slide the sensor tabs into the sensor sleeve openings on the back of the Rear Bumper. Push and lock the Retaining Clip into the sensor sleeve holes, **(Figure 12)**.

d. Repeat the above steps for each parking sensor.

Models with Tire Pressure Monitoring System (TPMS):

a. Select the factory remote antenna with TPMS assembly, **(Figure 13)**.

b. Push the (3) clips on the TPMS assembly into the slots in the mounting tabs, **(Figure 14)**.

Models without cross traffic sensors:

a. Select (1) Plastic Cover. Attach the cover to the outside of the driver/left end of the Bumper with (4) 6mm x 20mm Button Head Bolts, (4) 6mm Flat Washers, (4) 6mm Lock Washers and (4) 6mm Hex Nuts, **(Figure 15)**. Repeat to install the Plastic Cover on the passenger/right side of the Bumper.

Models with cross traffic sensors

a. Repeat previous Step to attach (1) Plastic Cover to outside of Bumper.

b. Attach (1) Long Bracket and (1) Short Bracket to the back of the Bumper, **(Figure 16)**.

c. Attach Sensor to the two Brackets with the included (2) 6mm x 20mm Hex Bolts, (4) 6mm Flat Washers, (2) 6mm Lock Washers and (2) 6mm Hex Nuts, **(Figure 17)**.

d. Repeat this Step to attach the passenger/right cover, brackets and sensor.

6. Push the included License Plate Light and (2) Plastic Plugs into the holes in the bumper, **(Figure 18)**.

7. Snap the trailer plug & spare tire access lock into the openings in the Rear Bumper, **(Figure 18)**.

8. Install the factory harness into the back of the Bumper. **NOTE:** Run the wire harness over the light mounting tabs on the back of the Bumper to avoid any interference with the exhaust. Plug the sensors, license light & remote antenna with TPMS assembly into the harness. **NOTE:** If necessary, cut the electrical tape on the wire harness to extend the reach to sensors.

9. Remove the (2) factory bolts holding the support bumper bracket to the frame, **(Figure 19)**.

10. Temporarily support the weight of the Bumper. **WARNING:** To avoid possible injury or damage to the vehicle, do not proceed until the Bumper is fully and safely supported.

11. With assistance, position the Bumper up to the frame. Attach the Bumper to the frame with the included (4) 12mm x 40mm Hex Bolts, (8) 12mm Flat Washers and (4) 12mm Nylon Lock Nuts, **(Figures 20 & 21)**. Do not fully tighten hardware at this time.

12. Level and adjust the bumper and fully tighten all hardware. Slowly open tailgate and check for clearance. Adjust as necessary.

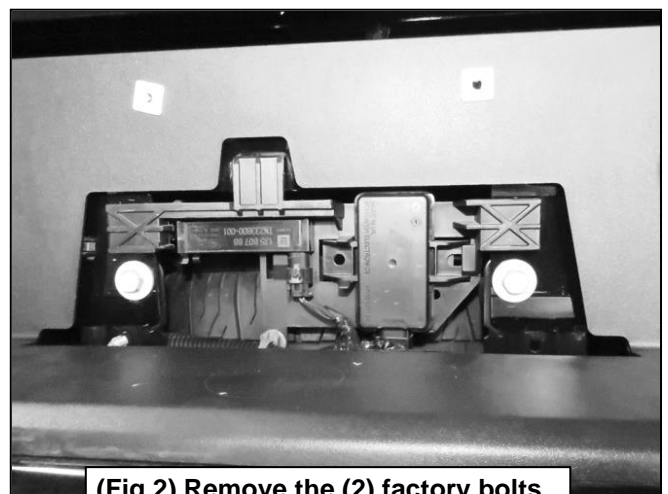
13. Plug the all wire harnesses & trailer plug into the vehicle harness, **(Figure 22)**.

14. Do periodic inspections to the installation to make sure that all hardware is secure and tight.

To protect your investment, Do not use any type of polish or wax that may contain abrasives that could damage the finish. Mild soap may be used to clean the Bumper assembly.

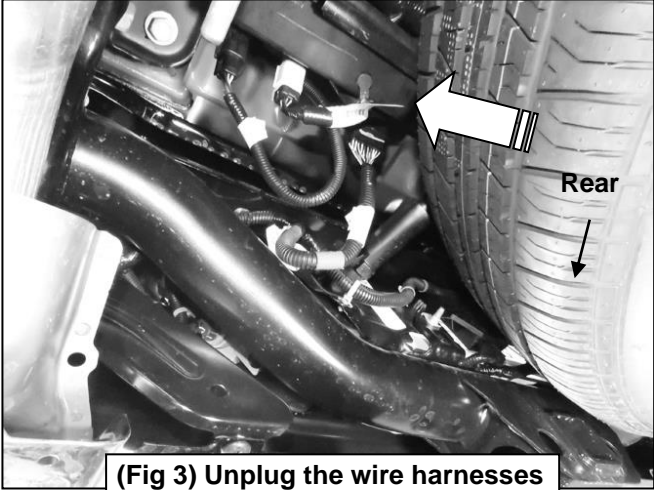


(Fig 1) Remove the license plate from the rear bumper

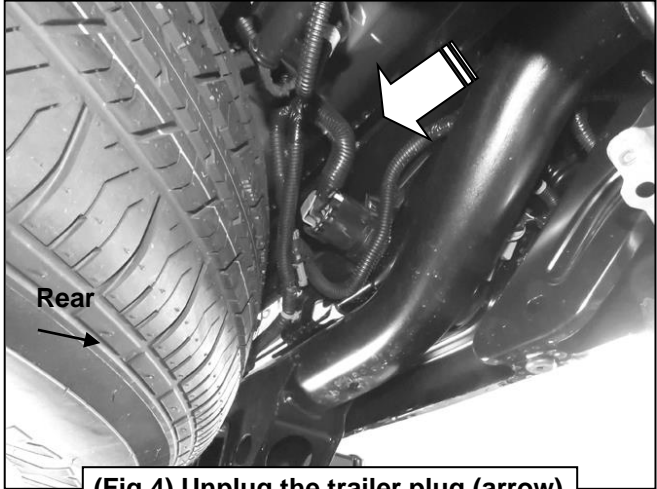


(Fig 2) Remove the (2) factory bolts from behind the license plate

**HD REPLACEMENT REAR BUMPER
2019 SILVERADO 1500**



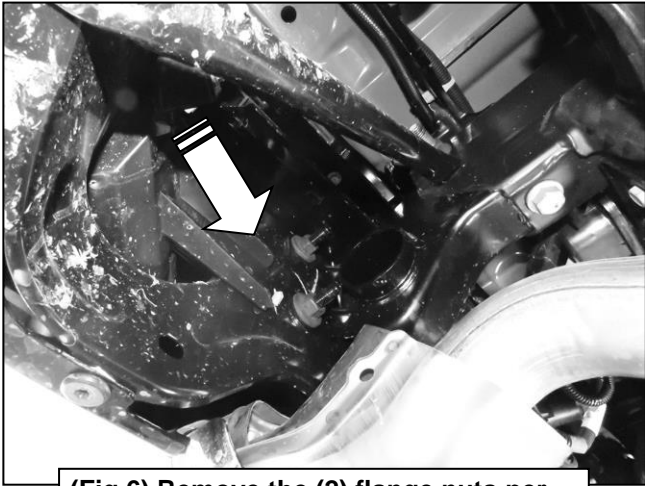
(Fig 3) Unplug the wire harnesses leading to the Bumper



(Fig 4) Unplug the trailer plug (arrow)



(Fig 5) Remove the bolts attaching the outer bumper supports to the bottom of the bumper (arrow)

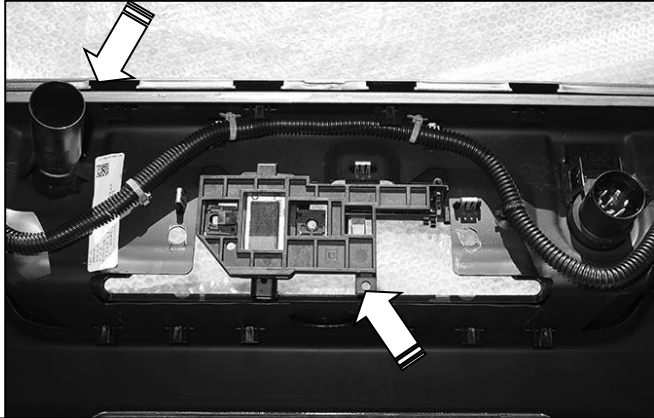


(Fig 6) Remove the (2) flange nuts per side attaching the bumper to the frame

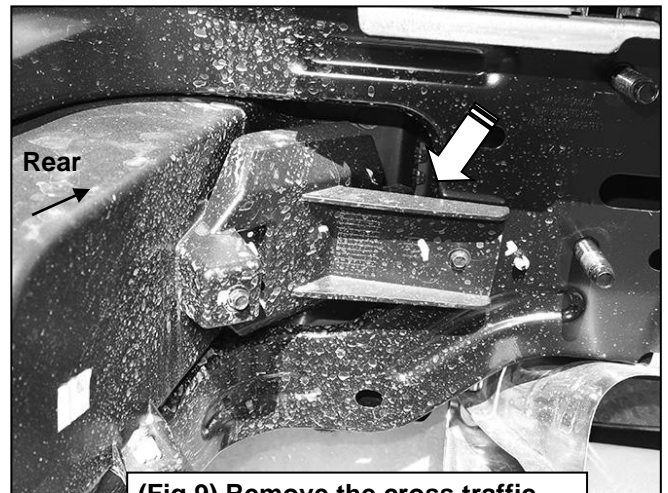


(Fig 7) Remove trailer plug and unplug license plate light

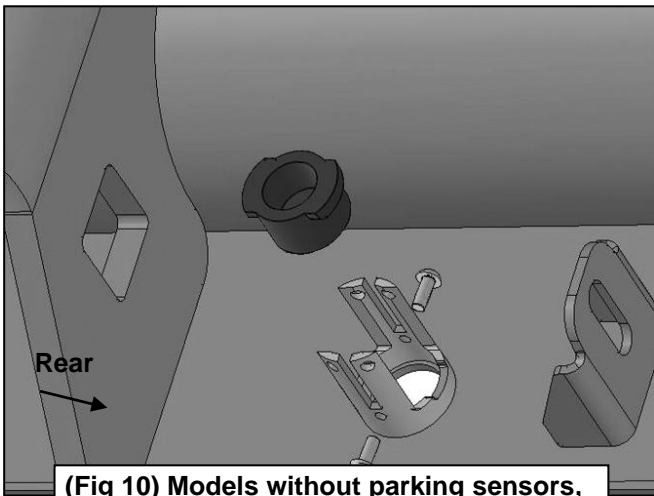
Passenger/right side installation pictured



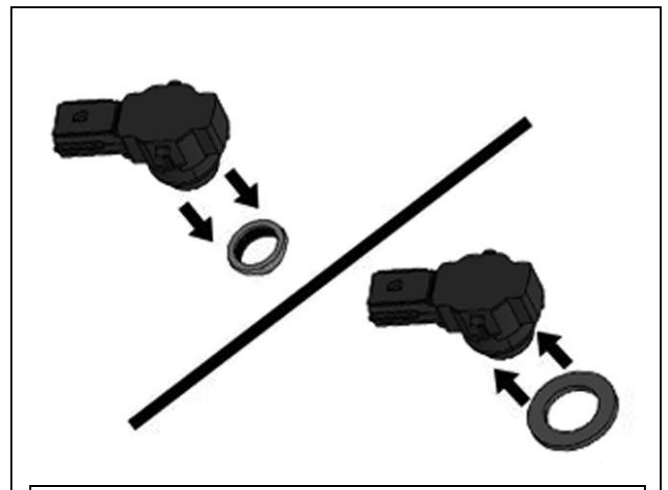
(Fig 8) Remove the sensors, remote antenna with TPMS assembly & spare tire access tube from the back of the bumper. Also remove wire harness.



(Fig 9) Remove the cross traffic sensors (ACC) if equipped (arrow)



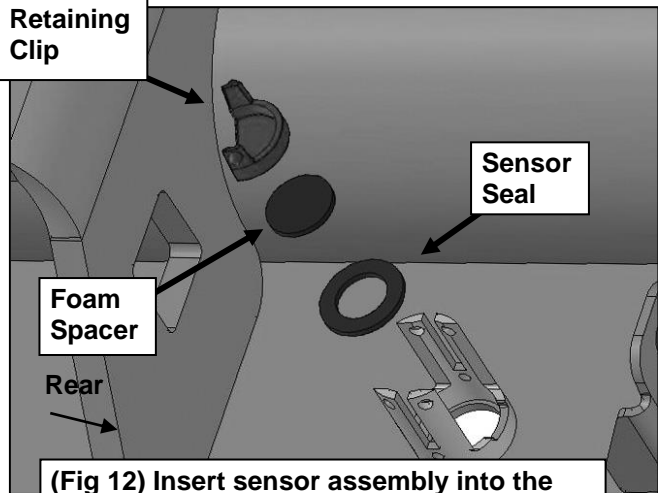
(Fig 10) Models without parking sensors, insert Rubber Plugs into sensor mounts



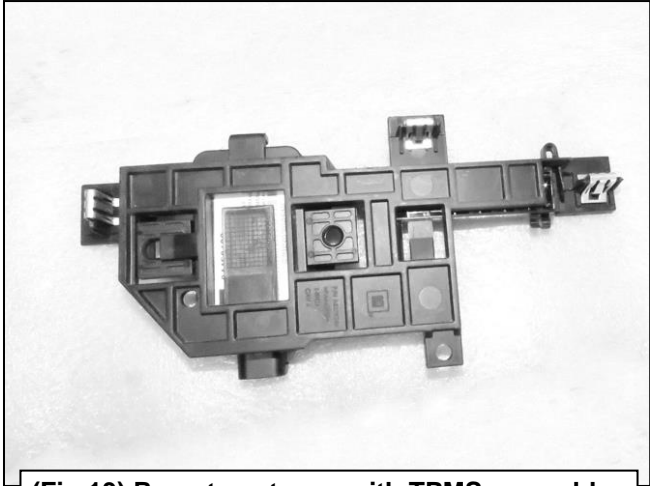
(Fig 11) Remove the silicone seal from sensor. Slide Foam Seal over end of sensor (arrow)

WARNING! Fully support the weight of the bumper with blocks or stands to prevent injury or damage to the vehicle.

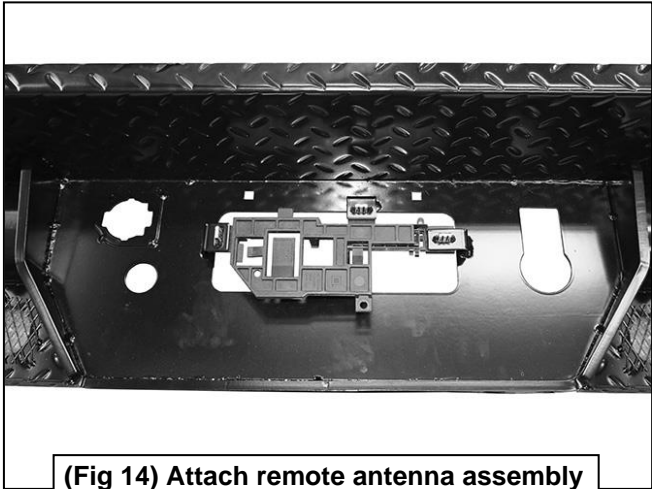
**HD REPLACEMENT REAR BUMPER
2019 SILVERADO 1500**



(Fig 12) Insert sensor assembly into the sensor sleeve. Secure with Retaining Clip.

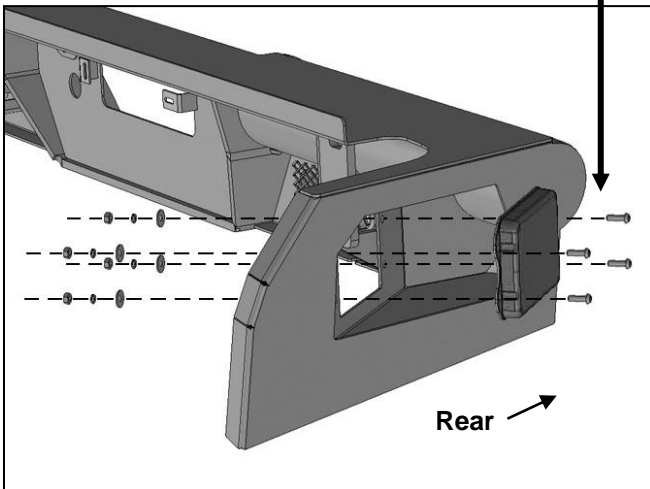


(Fig 13) Remote antenna with TPMS assembly



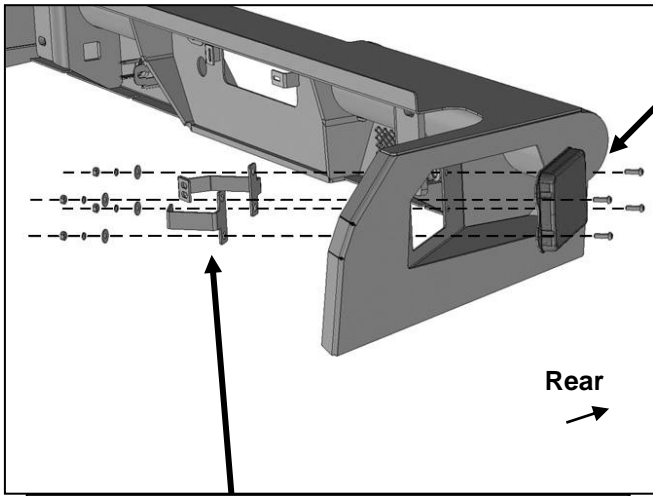
(Fig 14) Attach remote antenna assembly (Fig 13), to slots in mounting tabs

- (4) 6mm x 20mm Button Head Bolts**
- (4) 6mm Flat Washers**
- (4) 6mm Lock Washers**
- (4) 6mm Hex Nuts**



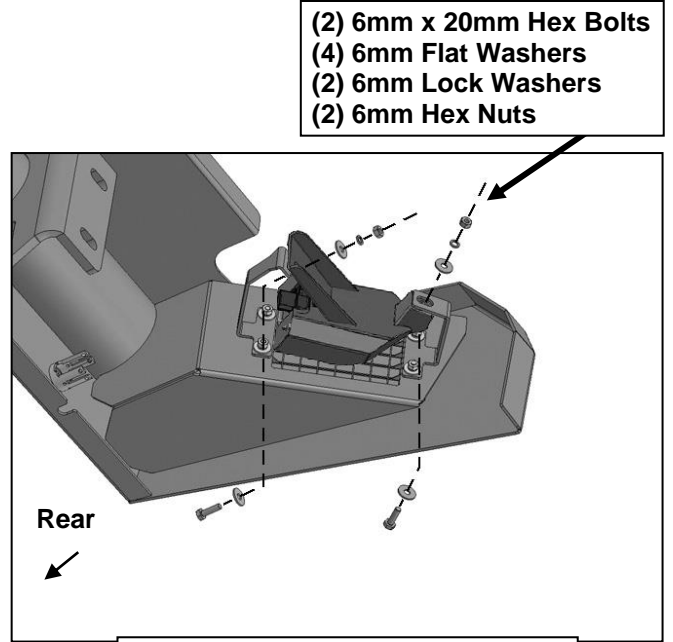
(Fig 15) Attach Plastic Cover to end of Bumper

**HD REPLACEMENT REAR BUMPER
2019 SILVERADO 1500**



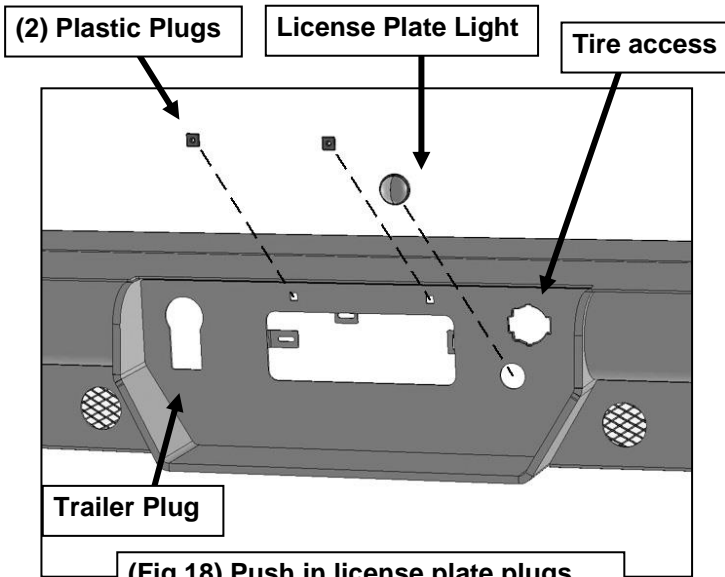
- (4) 6mm x 20mm Button Head Bolts
- (4) 6mm Flat Washers
- (4) 6mm Lock Washers
- (4) 6mm Hex Nuts

(Fig 16) Attach (1) Long and (1) Short "T" Bracket to the back of the Bumper and Cover.



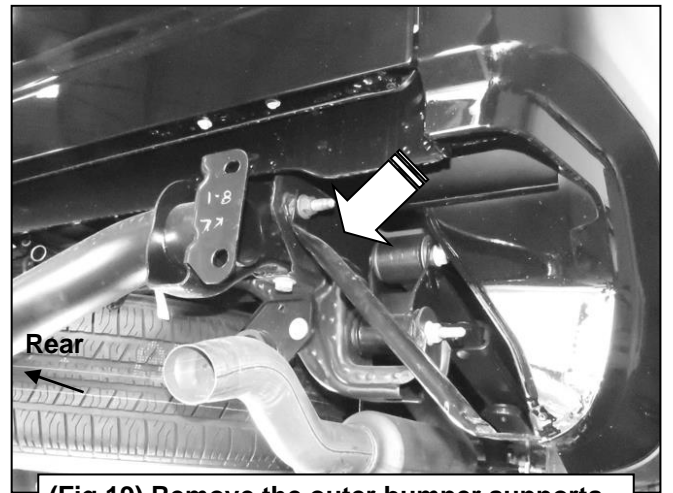
- (2) 6mm x 20mm Hex Bolts
- (4) 6mm Flat Washers
- (2) 6mm Lock Washers
- (2) 6mm Hex Nuts

(Fig 17) Attach sensor to Brackets



(Fig 18) Push in license plate plugs, trailer plug and spare tire access lock

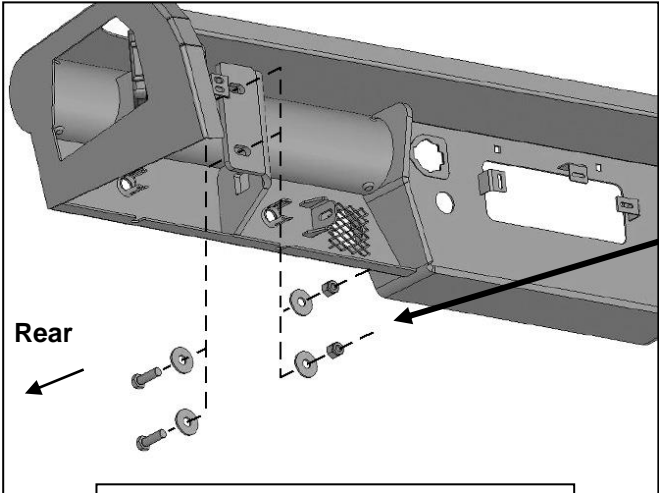
WARNING! Fully support the weight of the bumper with blocks or stands to prevent injury or damage to the vehicle.



(Fig 19) Remove the outer bumper supports from both sides of the frame (arrow). Note passenger/right side pictured

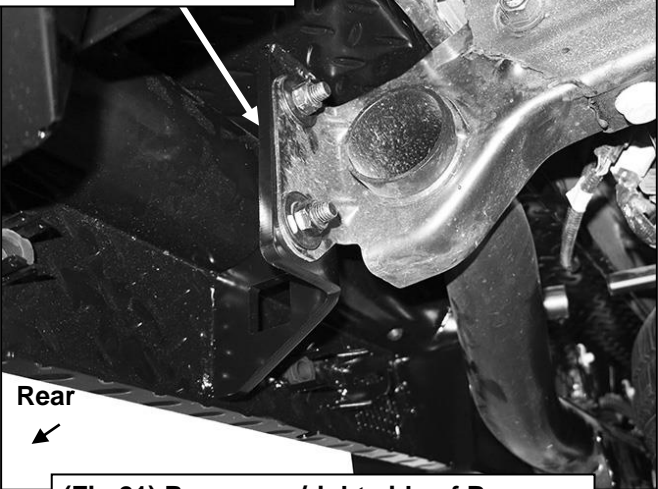
Passenger/right side installation pictured

WARNING! Fully support the weight of the bumper with blocks or stands to prevent injury or damage to the vehicle.

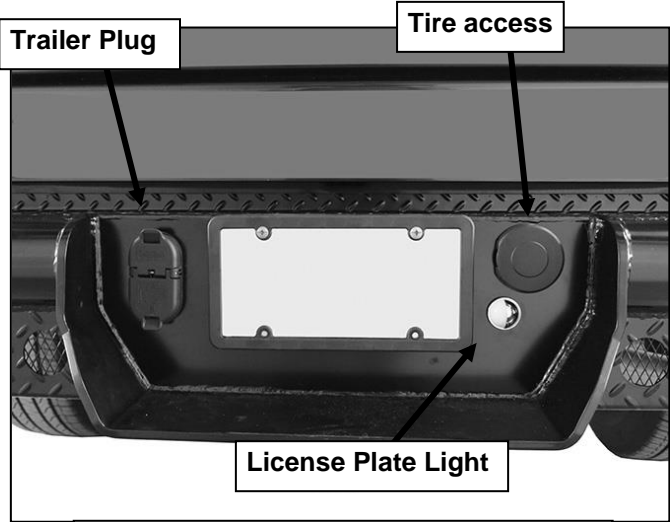


- (2) 12mm Hex Bolts
- (4) 12mm Flat Washers
- (2) 12mm Nylon Lock Nuts

(Fig 20) Attach Bumper to the frame (passenger/right side of illustrated)



(Fig 21) Passenger/right side of Bumper attached to the frame pictured



(Fig 22) License plate plugs, light, trailer plug and spare tire access lock installed

