

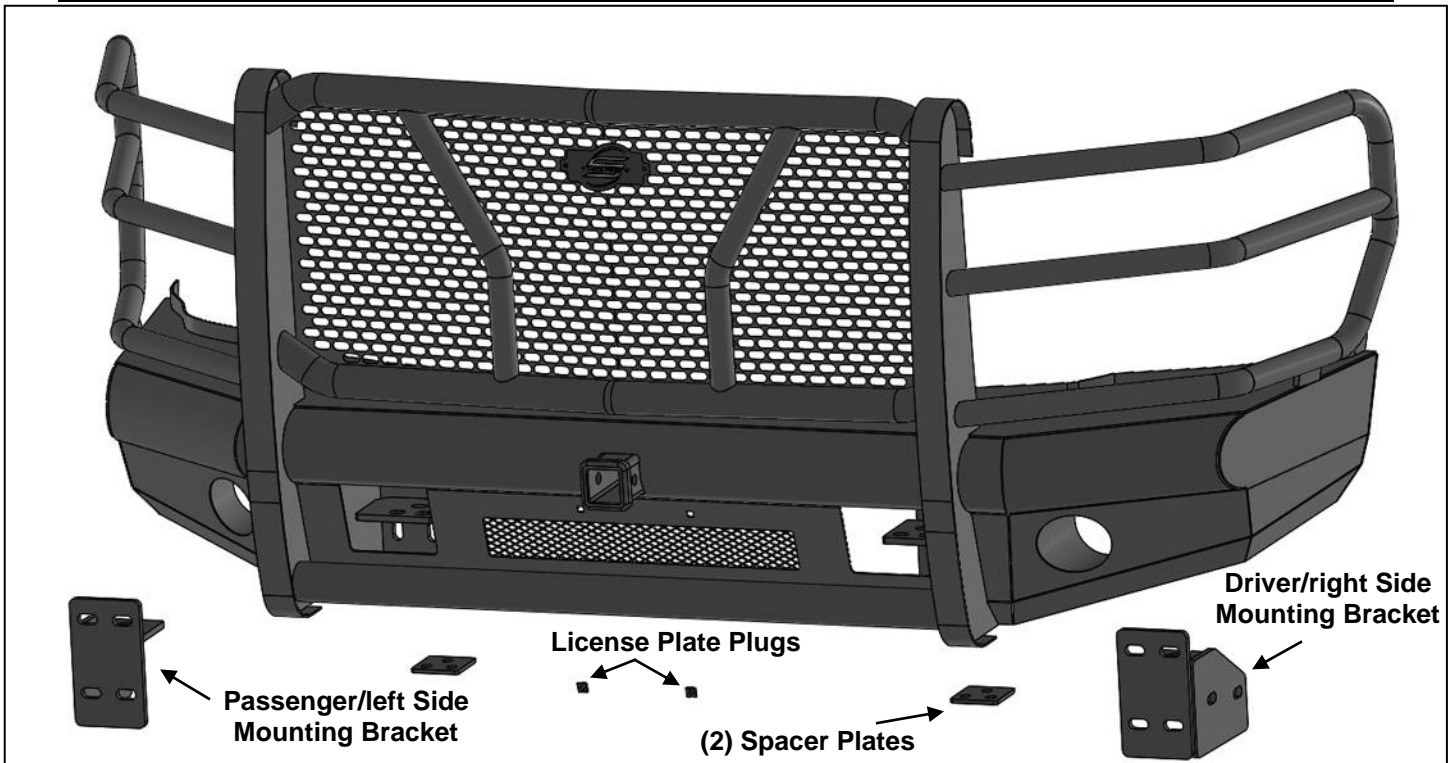
INSTALLATION INSTRUCTIONS

**HD REPLACEMENT FRONT BUMPER
2008-10 FORD SUPER DUTY F250-F550**

**HD REPLACEMENT FRONT BUMPER
2008-10 FORD SUPER DUTY F250-F550**

PARTS LIST:

1	HD Replacement Front Bumper	18	12mm Lock Washers
1	Driver/left side Bracket	18	12mm Hex Nuts
1	Passenger/right side Bracket	4	5mm x 20mm Button Head Bolts
2	Spacer Plates	8	5mm x 10mm x 1mm Flat Washers
2	License Plate Plugs	4	5mm Nylon Lock Nuts
18	12mm x 50mm Hex Bolts	1	Allen Wrench
36	12mm x 32mm x 3mm Flat Washers		



PROCEDURE:

- 1. REMOVE CONTENTS FROM BOX. VERIFY ALL PARTS ARE PRESENT. READ INSTRUCTIONS CAREFULLY BEFORE STARTING INSTALLATION. ASSISTANCE IS RECOMMENDED.**
- Remove the license plate and bracket. Unplug main wiring harness leading to bumper.
- Remove hood release lever from the back of the bumper on the passenger/right side. Move lever away from Bumper. Do not remove lever if attached to the vehicle, **(Figure 1)**.
- Start installation at the driver side, front of the vehicle. Place blocks or jack stands under the front bumper to support it during mounting bolt removal. Once the bumper has been safely supported, remove the (4) factory bumper bolts and the (2) outer support bolts, if equipped, **(Figures 2—4)**. **WARNING!** Do not remove bumper bolts unless the bumper is properly supported on blocks or stands or the bumper may fall. Carefully slide the bumper off over the tow hooks.
- Remove both tow hooks from the frame.
- Select the Driver/left side Bracket, **(Figure 5)**. Attach the Bracket to the mounting plate on the back of the HD Bumper with (4) 12mm Hex Bolts, (8) 12mm Flat Washers, (4) 12mm Lock Washers and (4) 12mm Hex Nuts, **(Figure 5)**. Repeat **Step** to install the Passenger/right side Bracket to the other mounting plate behind the Bumper. Do not over tighten hardware.
- With assistance, position the HD Bumper with Brackets up to and over the ends of the frame, **(Figure 6)**. Temporarily support the weight of the Bumper. **WARNING:** To avoid possible injury or damage to the vehicle, do not proceed until the bumper is fully and safely supported.
- Line up the (2) slots in the Driver/left side Bracket with the (2) holes in the side of the frame. Attach the Bracket to the side of the frame with (2) 12mm Hex Bolts, (4) 12mm Flat Washers, (2) 12mm Lock

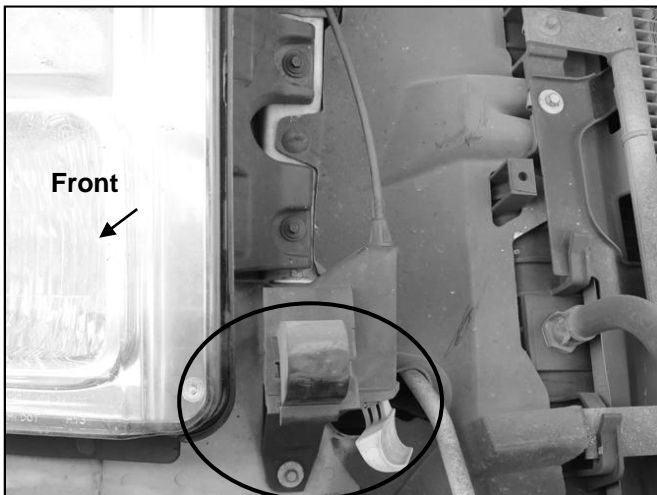
HD REPLACEMENT FRONT BUMPER 2008-10 FORD SUPER DUTY F250-F550

Washers and (2) 12mm Hex Nuts, **(Figure 7)**. Do not fully tighten hardware at this time. Repeat Step to attach the passenger side Frame Bracket to the outer side of the frame.

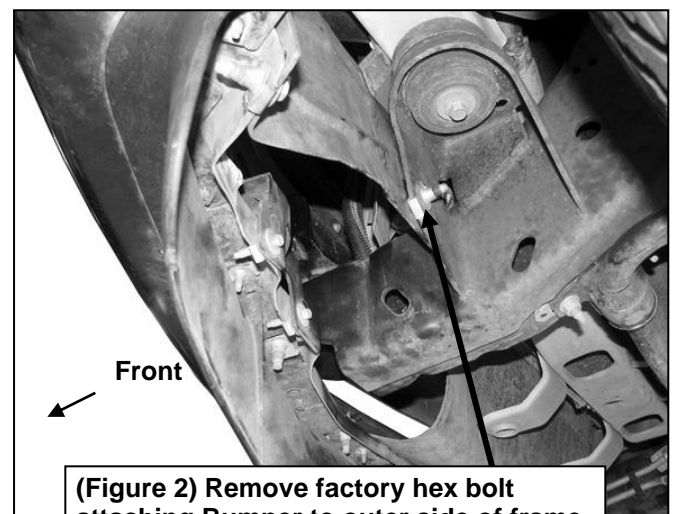
9. Next, select (1) Spacer Plate. Place the Spacer Plate on top of the (3) holes in the Frame Bracket. Insert (3) 12mm Hex Bolts with (3) 12mm Flat Washers through the top of the Spacer Plate, Bracket and out through the inside of the frame, **(Figure 8)**. Use (3) 12mm Flat Washers, (3) 12mm Lock Washers and (3) 12mm Hex Nuts to secure the Bracket to the top of the frame. Leave hardware loose. Repeat Step to attach (1) Spacer Plate to the top of the passenger side Frame Bracket and frame.
10. Level and adjust the bumper and fully tighten all hardware.
11. Use the included (2) push-in plastic nuts to attach the front license plate, (if required), to the (2) holes in the front bumper, **(Figure 9)**.
12. Next, select the passenger side tow hook. From the back of the Bumper, insert the tow hook through the opening in the driver/left side of the HD Bumper, **(Figure 10)**. Reuse the factory tow hook hardware to attach the tow hook to the underside of the mounting plate. Fully tighten the tow hook hardware. Repeat this Step to install the driver side tow hook on the passenger/right side of the HD Bumper.
13. **Models with factory fog lights:**
 - a. Unplug both lights. Remove the factory fog lights from the back of the Bumper. Release the wiring harness from the clips attached to the back of the bumper.
 - b. Remove the adjustment screw, spring and plastic nut from the bottom of the light.
 - c. Slide the light into place between the mounting tabs on the HD Bumper. Use the included (2) 5mm Button Head Bolts, (4) 5mm Flat Washers and (2) 5mm Nylon Lock Nuts to attach the top of the light to the mounting tabs, **(Figure 11)**. Attach the plastic nut to the lower bent tab on the Bumper. Insert the screw through the tab on the light, the spring (between light and tab on bumper), and into the plastic nut. Adjust the light as needed.
 - d. Repeat to install the remaining fog light.
 - e. Reattach the factory wiring harness to both lights.
14. If the hood release lever was removed, **(Step 3)**, then reuse the factory hardware to attach the lever to the hood release bracket on the back of the HD Bumper, **(Figure 12)**.
15. Do periodic inspections to the installation to make sure that all hardware is secure and tight.

To protect your investment, wax this product after installing. Regular waxing is recommended to add a protective layer over the finish. Do not use any type of polish or wax that may contain abrasives that could damage the finish. Mild soap may be used to clean the HD Bumper.

Driver/left Side Installation Pictured



(Figure 1) If lever is mounted to back of Bumper then remove from Bumper. **Do not** remove if mounted to vehicle (See picture).

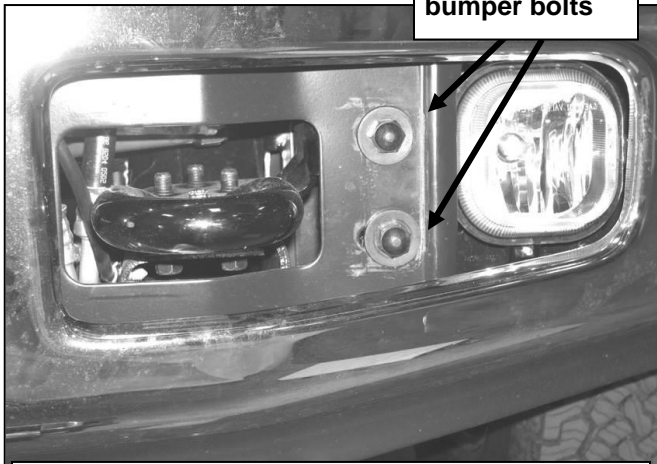


(Figure 2) Remove factory hex bolt attaching Bumper to outer side of frame

**HD REPLACEMENT FRONT BUMPER
2008-10 FORD SUPER DUTY F250-F550**

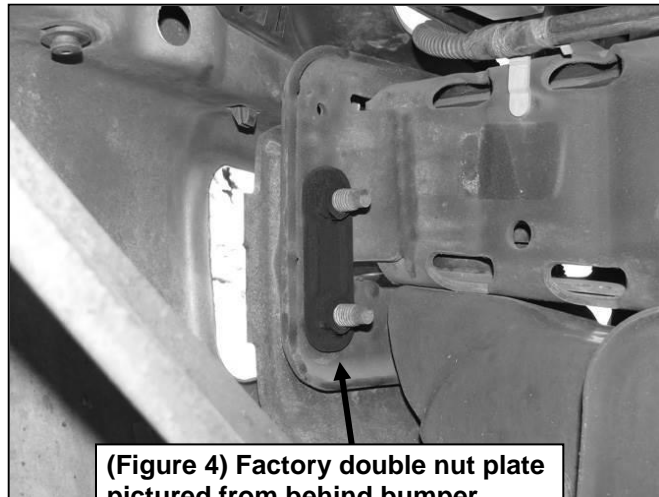
Driver/left Side Installation Pictured

Remove factory bumper bolts

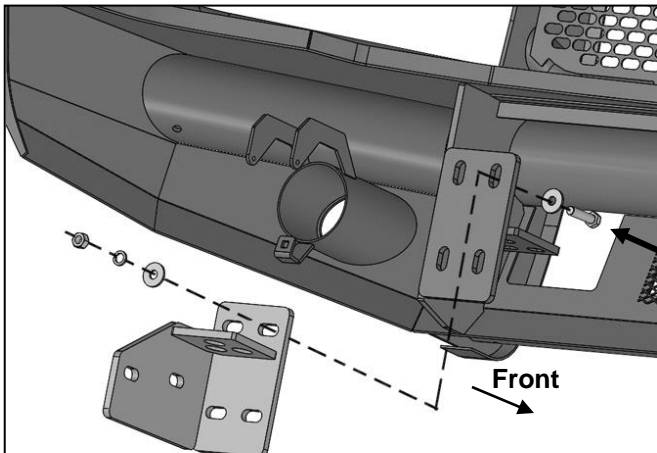


(Figure 3) Remove driver/left side bumper bolts

WARNING! Do not remove bumper bolts unless the bumper is properly supported on blocks or stands or the bumper may fall.

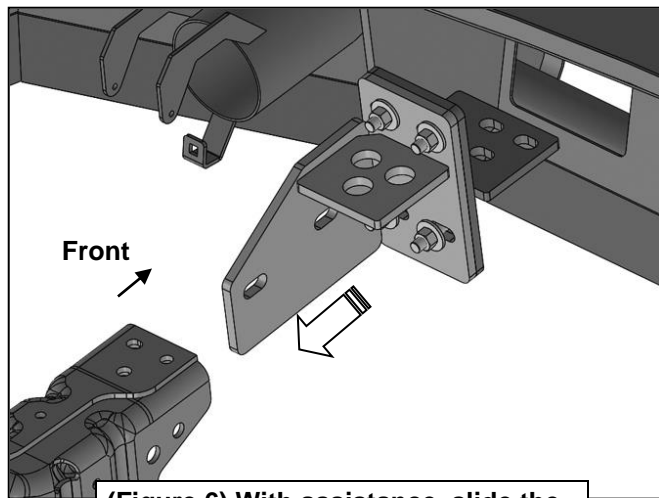


(Figure 4) Factory double nut plate pictured from behind bumper

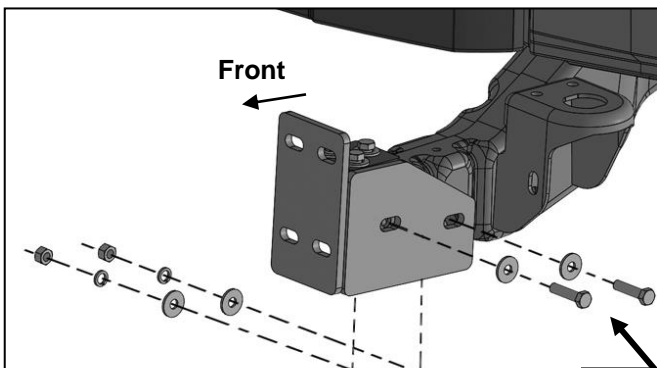


(Figure 5) Attach the driver/left side Bracket to the back of the Bumper mounting plate

- (4) 12mm Hex Bolts
- (8) 12mm Flat Washers
- (4) 12mm Lock Washers
- (4) 12mm Hex Nuts



(Figure 6) With assistance, slide the Bumper assembly over the frame

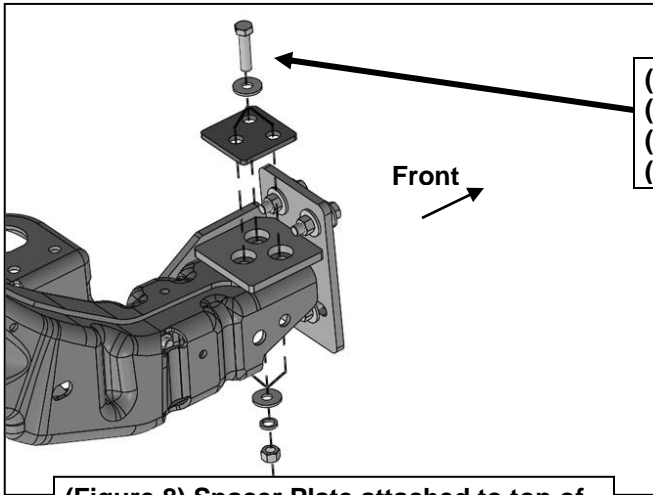


(Figure 7) Secure Bracket to side of frame with 12mm hardware

- (2) 12mm Hex Bolts
- (4) 12mm Flat Washers
- (2) 12mm Lock Washers
- (2) 12mm Hex Nuts

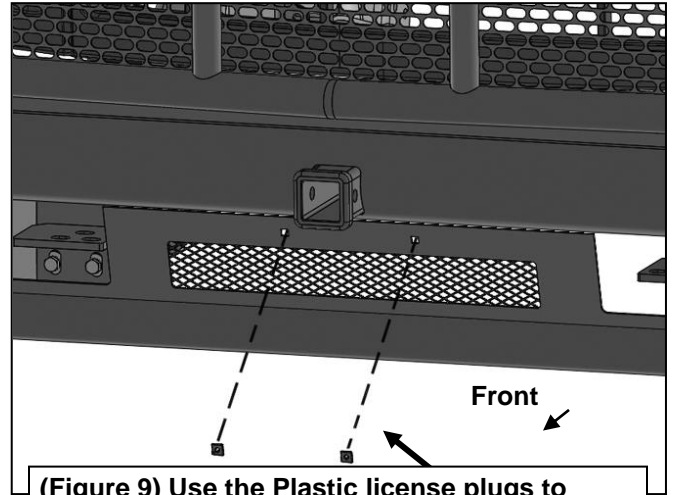
HD REPLACEMENT FRONT BUMPER
2008-10 FORD SUPER DUTY F250-F550

Driver/left Side Installation Pictured

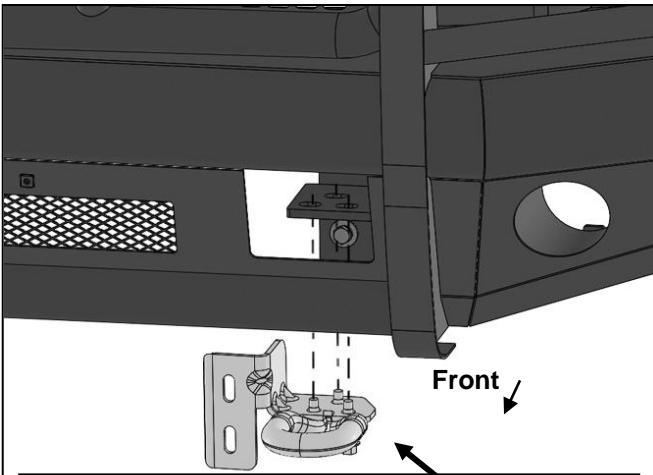


- (3) 12mm Hex Bolts
- (6) 12mm Flat Washers
- (3) 12mm Lock Washers
- (3) 12mm Hex Nuts

(Figure 8) Spacer Plate attached to top of Driver/left side Bracket and frame

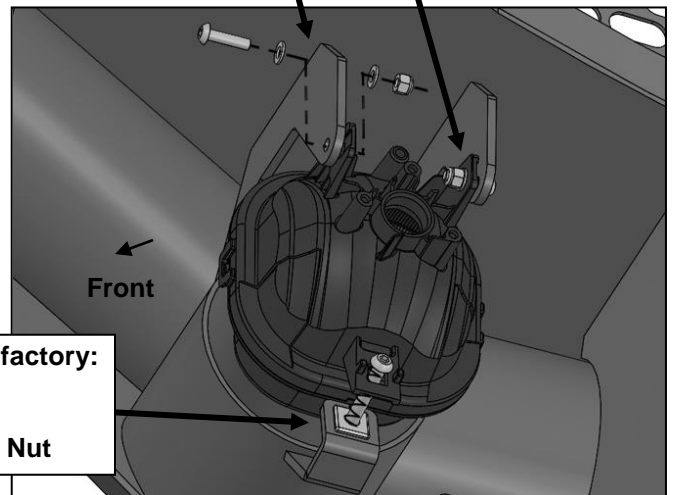


(Figure 9) Use the Plastic license plugs to attach license plate to the front of the Bumper



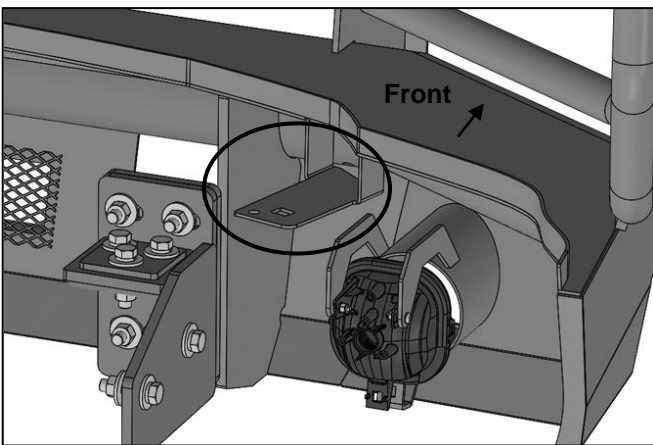
(Figure 10) Passenger side tow hook attached to the driver/left side mounting plate

- (2) 5mm Button Head Bolts
- (4) 5mm Flat Washers
- (2) 5mm Nylon Lock Nuts



Reuse factory:
Screw
Spring
Plastic Nut

(Figure 11) Passenger side tow hook attached to the driver/left side mounting plate



(Figure 12) Attach the hood release lever to the bracket on the back of the Bumper