

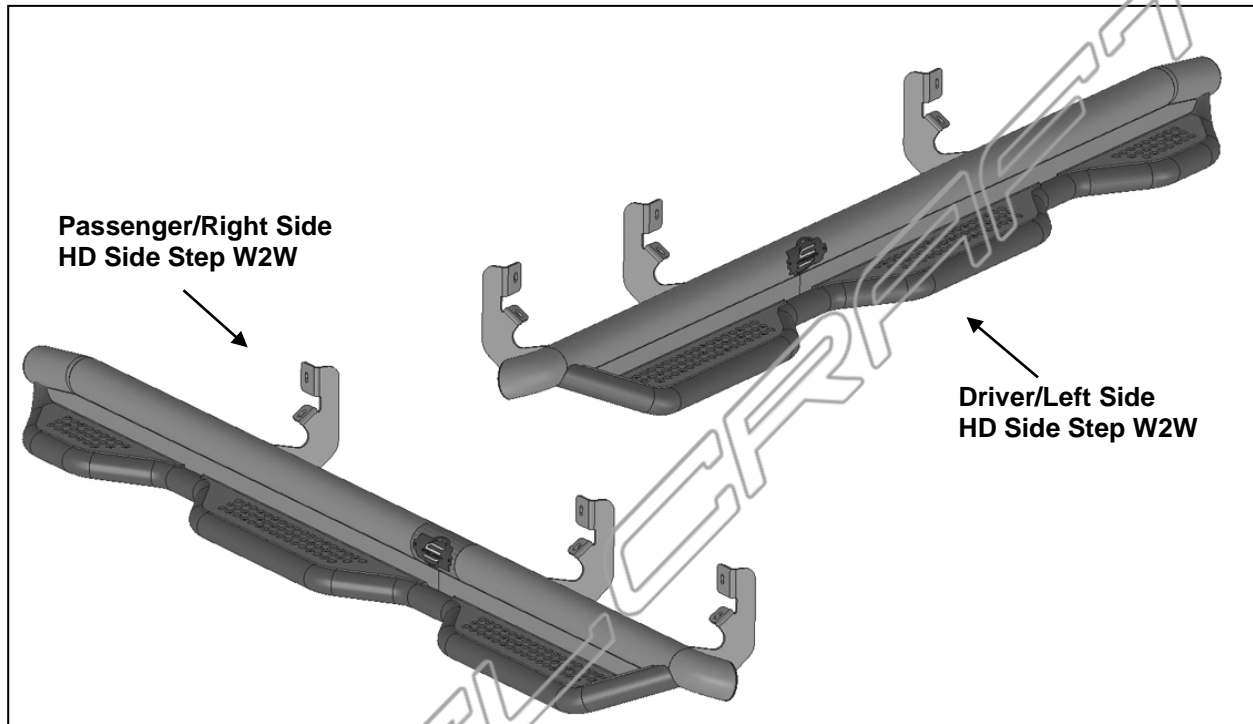
# **INSTALLATION INSTRUCTIONS**

**HD SIDE STEPS W2W  
04-17 NISSAN TITAN CREW CAB**

STEELCRAFT

**PARTS LIST:**

1	Driver/left side HD Side Step W2W	12	8-1.25mm x 30mm Hex Bolts
1	Passenger/right side HD Side Step W2W	12	8mm Lock Washers
6	8-1.25mm Lock Nuts	12	8mm x 24mm x 2mm Flat Washers

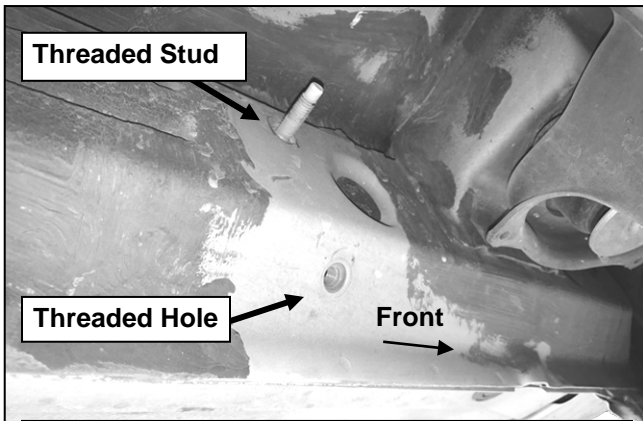


**PROCEDURE:**

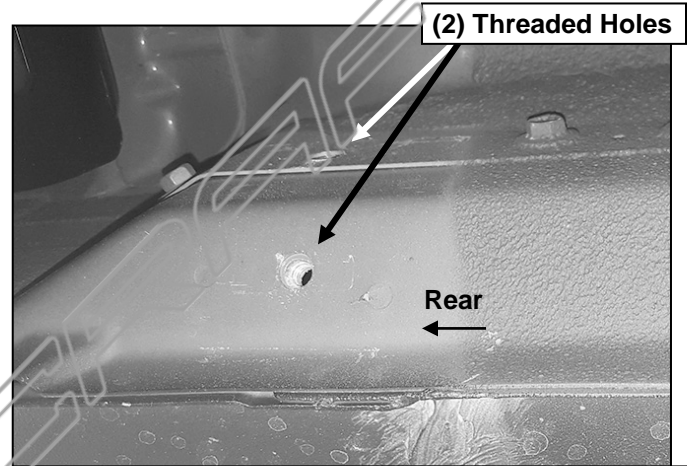
- 1. REMOVE CONTENTS FROM BOX. VERIFY ALL PARTS ARE PRESENT. READ INSTRUCTIONS CAREFULLY BEFORE STARTING INSTALLATION.**
- Start installation at the front of the driver side of the vehicle and locate the factory threaded holes or stud located on the side of the inner body panel, **(Figure 1)**. **NOTE:** Remove the plastic plug or any insulation on the side panel to locate the threaded holes.
- Select Driver/left Side Step. Attach the front welded Bracket on the Side Step to the body panel with:
  - a. Models with threaded stud:** Attach welded Bracket to stud with (1) 8mm x 24mm Flat Washer and (1) 8mm Nylon Lock Nut. Next, insert (1) 8mm x 30mm Hex Bolt, (1) 8mm Lock Washer and (1) 8mm x 24mm Flat Washer through the remaining lower hole in the welded Bracket and into the threaded hole, **(Figures 1A, 2 & 3)**. Do not tighten hardware at this time.
  - b. Models without threaded stud:** Attach welded Bracket to the (2) threaded holes with (2) 8mm x 30mm Hex Bolts, (2) 8mm Lock Washers and (2) 8mm x 24mm Flat Washers, **(Figures 1B, 2 & 4)**. Do not tighten hardware at this time.
- Repeat **Steps 2 & 3** to attach the center and rear welded Brackets on the Side Step to the body panel, **(Figure 5)**.
- Level and adjust the Side Step and tighten all hardware.
- Repeat **Steps 1—5** to install the Passenger/right HD Side Step.
- Do periodic inspections of the installation to make sure that all hardware is secure and tight.

**To protect your investment,** wax this product after installing. Regular waxing is recommended to add a protective layer over the finish. Do not use any type of polish or wax that may contain abrasives that could damage the finish. Mild soap may be used to clean the Side Step.

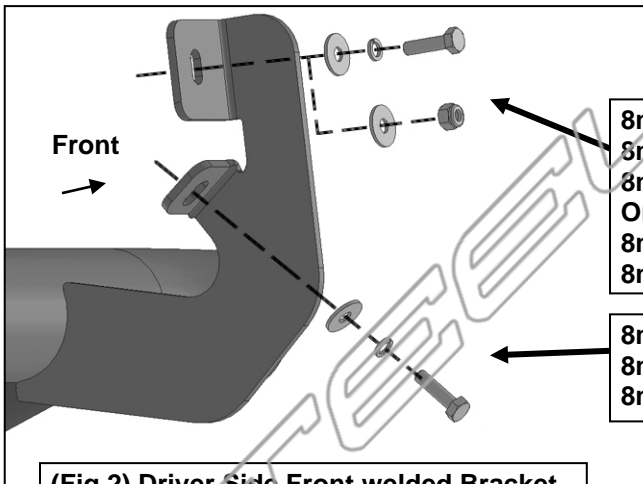
Driver Side Installation Pictured



(Fig 1A) Up to 2015 driver side front mounting location. Note: Remove plastic plugs to locate factory threaded holes.



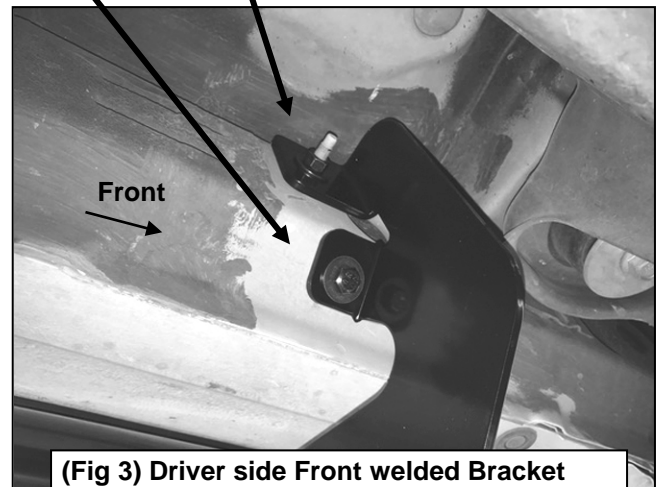
(Fig 1B) 2016-on driver side rear mounting location. Note: Two factory threaded holes only.



(Fig 2) Driver Side Front welded Bracket assembly illustrated

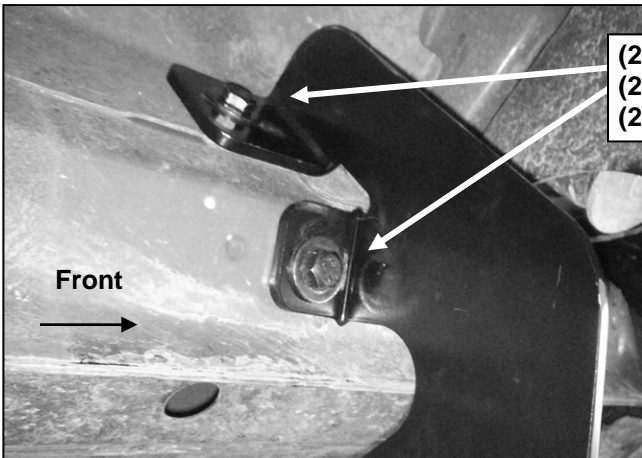
- 8mm x 30mm Hex Bolt
- 8mm Lock Washer
- 8mm x 24mm Flat Washer
- Or
- 8mm x 24mm Flat Washer
- 8mm Nylon Lock Nut

- 8mm x 30mm Hex Bolt
- 8mm Lock Washer
- 8mm x 24mm Flat Washer

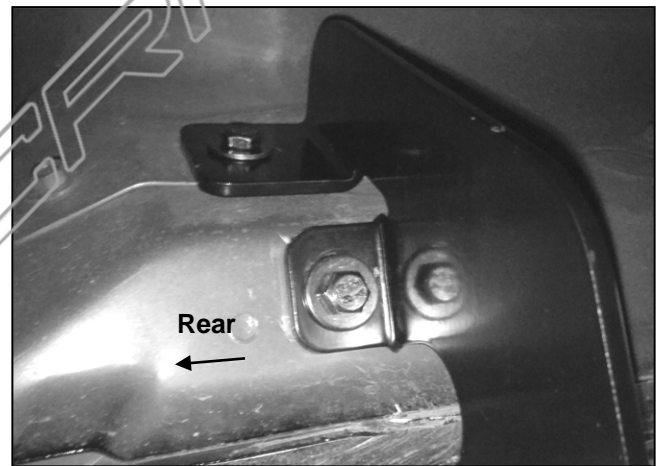


(Fig 3) Driver side Front welded Bracket attached to body panel with threaded stud

Driver Side Installation Pictured Continued



(Fig 4) Driver side Front welded Bracket attached to body panel with two threaded inserts



(Fig 5) Driver Side Rear welded Bracket installed

