

INSTALLATION INSTRUCTIONS

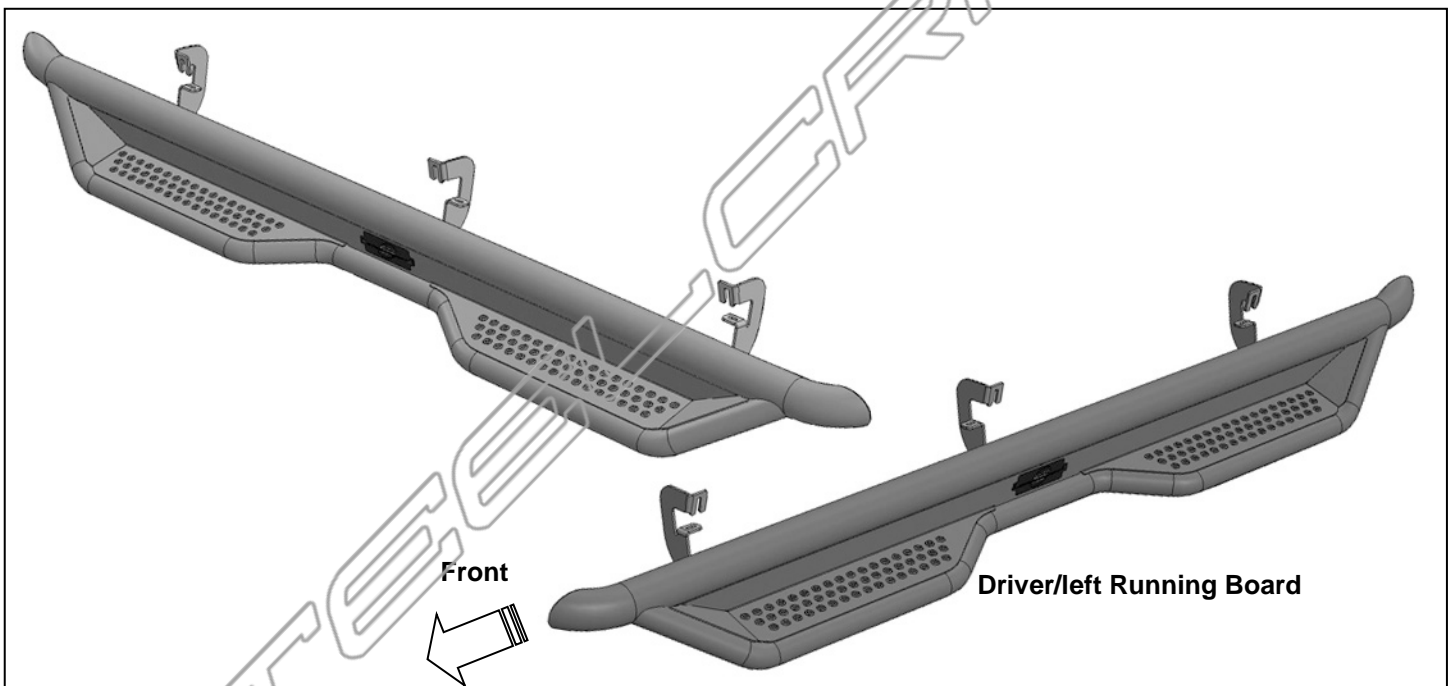
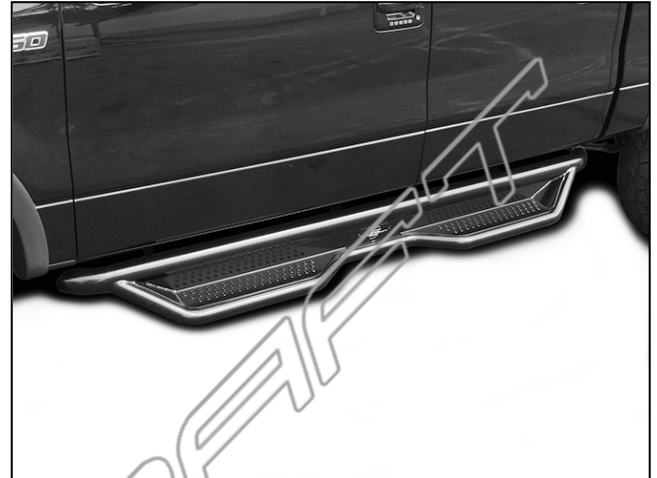
HD SIDE STEP

09-14 FORD F-150 CREW CAB

STEELCRAFT

PARTS LIST:

Qty	Description
1	Driver/left HD Side Step Assembly
1	Passenger/right HD Side Step Assembly
12	8-1.25mm Clip-On Nuts
12	8-1.25mm x 30mm Hex Bolts
12	8mm x 24mm x 2mm Flat Washers
12	8mm Lock Washers



PROCEDURE:

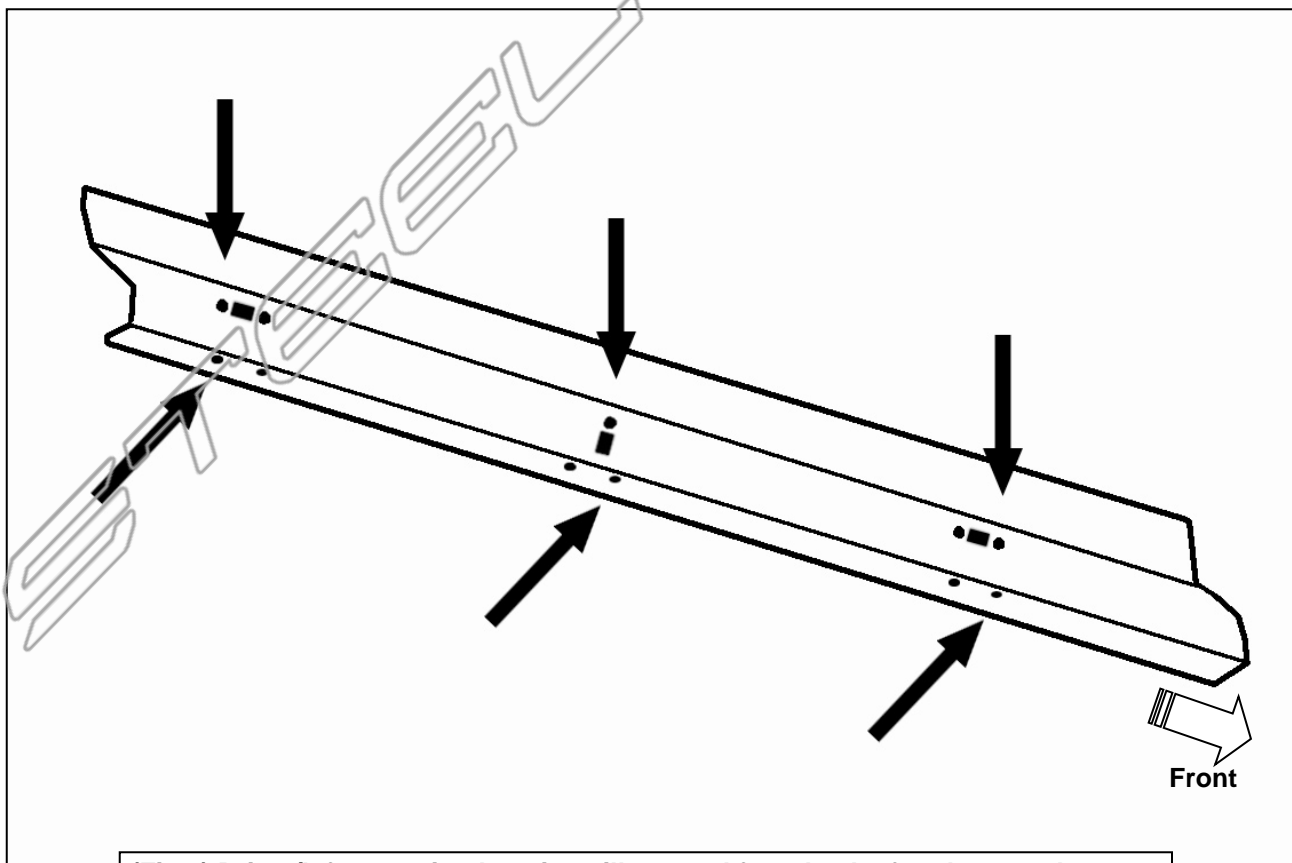
- 1. REMOVE CONTENTS FROM BOX. VERIFY ALL PARTS ARE PRESENT. READ INSTRUCTIONS CAREFULLY BEFORE STARTING INSTALLATION. ASSISTANCE IS RECOMMENDED.**
- Starting on the driver side of the vehicle, locate the (2) holes in the bottom of the body panel, (pinch weld). Next, locate the rectangular opening and (2) small holes in the inner body panel directly above the holes in the pinch weld, **(Figures 1 & 2)**. **NOTE:** The holes in the inner panel may be covered with sealing tape or insulation, remove as required.
- Slide (1) 8mm Clip Nut into the rectangular opening with the nut towards the inside. Line up the threaded nut on the clip with the round hole toward the front of the vehicle, **(Figure 2)**. Repeat to install an 8mm Clip Nut in the forward hole in the pinch weld directly below the top location. **IMPORTANT:** Use **Figure 1** to determine correct mounting holes to use for each location.
- Move along the body panel to the center mounting location. Locate the (2) holes in the pinch weld as described in Step 2. Next, locate the rectangular hole and single small round hole

- directly above the pinch weld, (**Figures 1 & 3**). Repeat **Step 3** to install (1) 8mm Clip Nut in the forward hole in the pinch weld and the single top hole.
5. Move to the rear mounting location. Repeat **Steps 2 & 3** to install the (2) Clip Nuts in the mounting holes. **IMPORTANT:** For the rear Bracket, use mounting holes toward the rear of the vehicle, (**Figures 1 & 4**).
 6. Carefully unwrap the HD Side Steps. Select the driver/left Side Step assembly. **NOTE:** The front bracket is closer to the front end of the Side Step (see page 1).
 7. With assistance, line up the Brackets on the Side Step with the previously installed Clip Nuts. Attach the Brackets to the (6) Clip Nuts with the included (6) 8mm Hex Bolts, (6) 8mm Lock Washers and (6) 8mm Flat Washers, (**Figures 5—7**). Depending on model and year, the brake cable, (driver side front installation only), may be run on the inside of the Bracket, (**Figure 2**), or outside of the Bracket, (**Figure 5**). Do not tighten hardware at this time.
 8. Level and adjust the Side Step as desired and tighten all 8mm hardware to 16-18ft-lbs.
 9. Repeat **Steps 2—8** for the passenger/right Side Step installation.
 10. Do periodic inspections to the installation to make sure that all hardware is secure and tight.

To protect your investment, wax this product after installing. Regular waxing is recommended to add a protective layer over the finish. Do not use any type of polish or wax that may contain abrasives that could damage the finish.

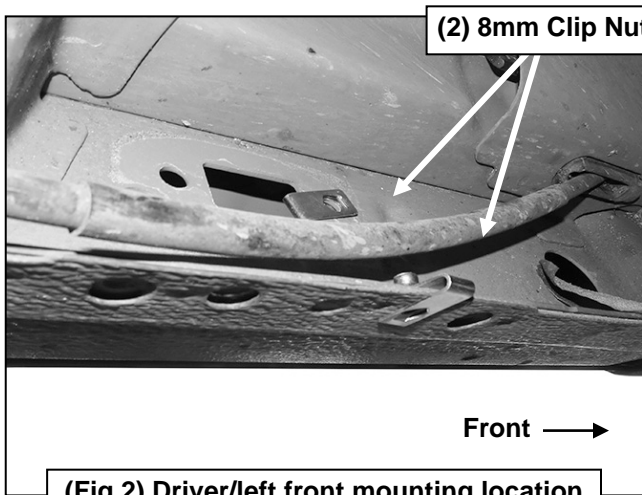
For powder coated finishes: Mild soap may be used to clean the HD Side Step.

Driver/left Side Installation Pictured

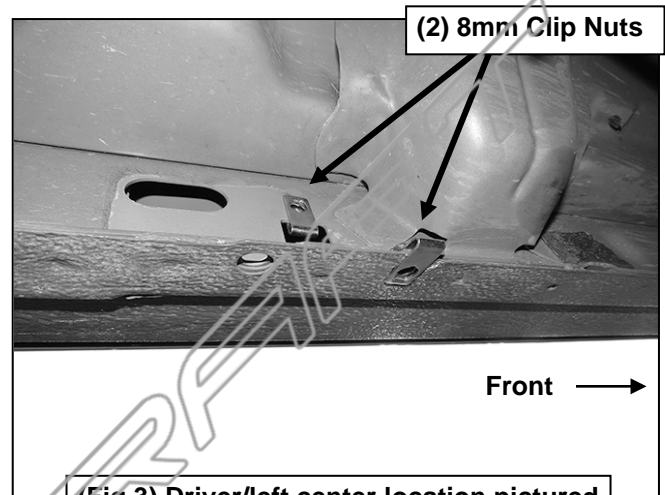


(Fig 1) Driver/left mounting locations illustrated from back of rocker panel

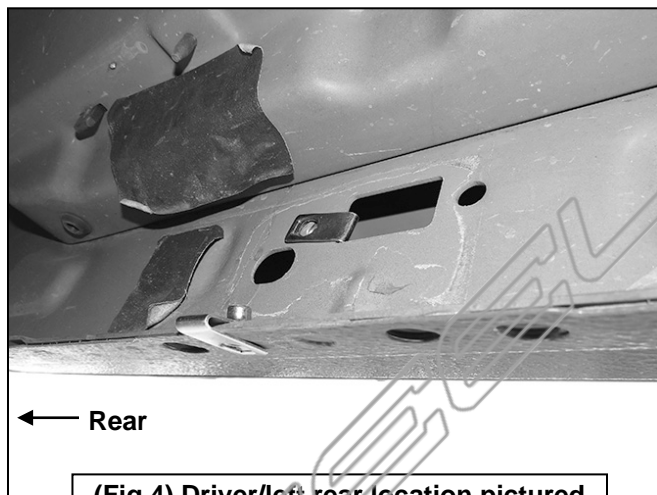
Driver/left Side Installation Pictured



(Fig 2) Driver/left front mounting location

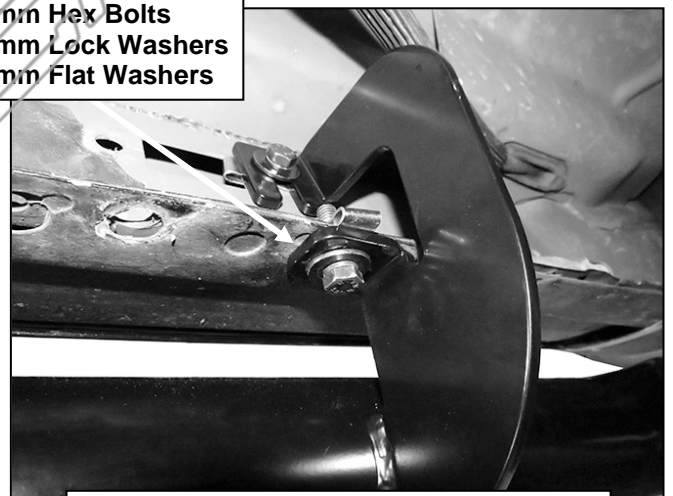


(Fig 3) Driver/left center location pictured

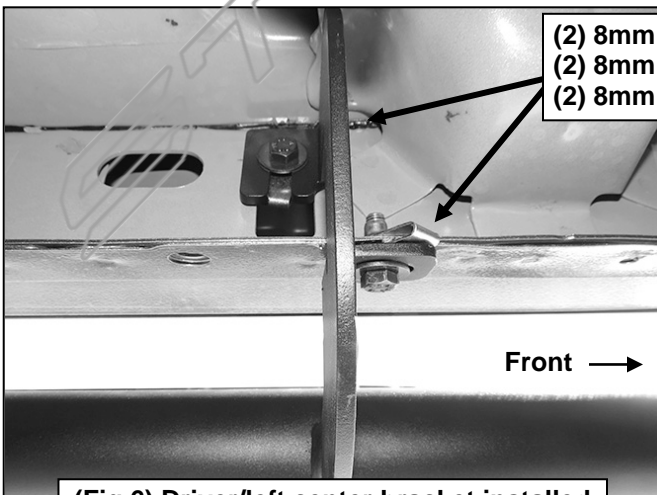


(Fig 4) Driver/left rear location pictured

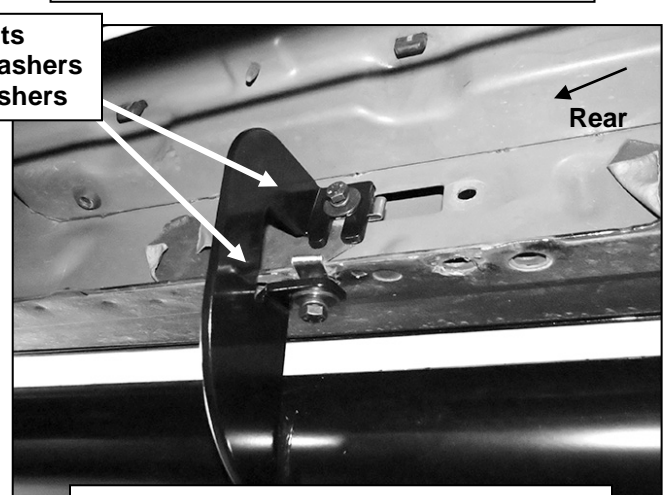
(2) 8mm Hex Bolts
(2) 8mm Lock Washers
(2) 8mm Flat Washers



(Fig 5) Driver/left front bracket installed



(Fig 6) Driver/left center bracket installed



(Fig 7) Driver/left rear bracket installed