

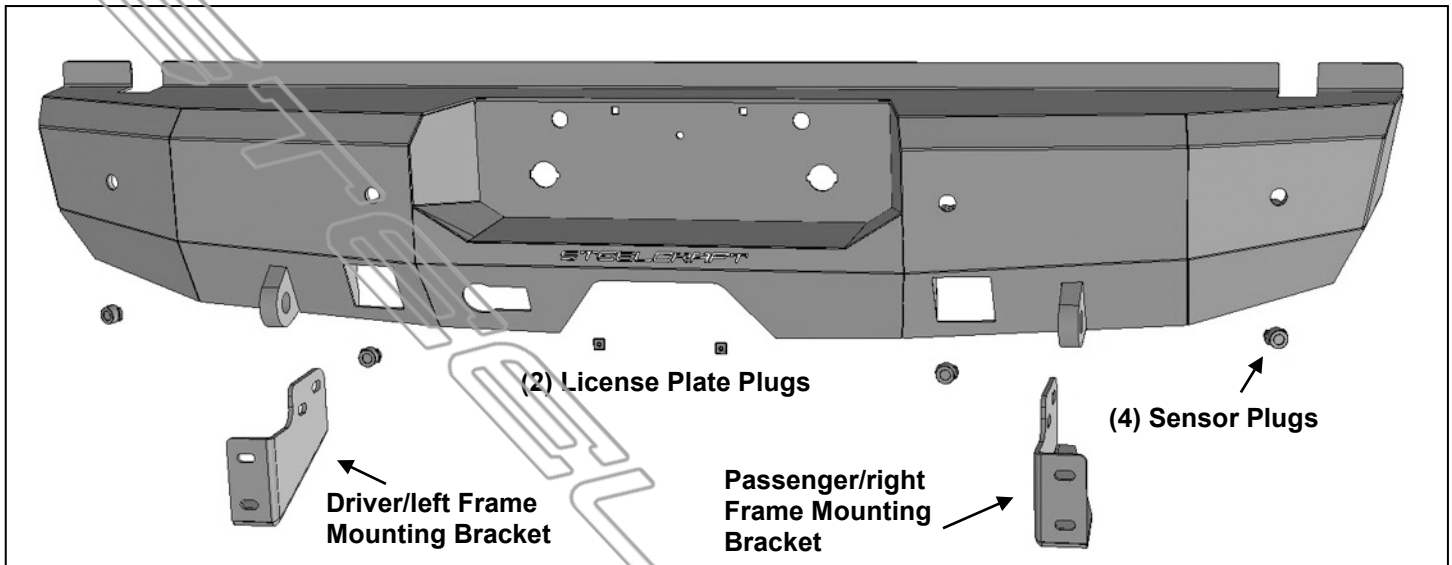


INSTALLATION INSTRUCTIONS

**FORTIS REAR BUMPER
1999-2016 FORD F250-350**

PARTS LIST:

1	Fortis Rear Bumper Assembly	4	12-1.75mm x 40mm Hex Bolts
1	Driver/left Frame Mounting Bracket	8	12mm x 37mm x 3mm Flat Washers
1	Passenger/right Frame Bracket	4	12-1.75mm Hex Nylon Lock Nuts
4	Sensor Hole Plugs	8	4mm x 10mm Button Head Bolts
1	Sensor Cover Kit	1	2.5mm Wrench
2	Plastic Plugs for license plate mount		



PROCEDURE:

REMOVE CONTENTS FROM BOX. VERIFY ALL PARTS ARE PRESENT. READ INSTRUCTIONS CAREFULLY BEFORE STARTING INSTALLATION. BUMPER IS HEAVY, ASSISTANCE IS RECOMMENDED TO AVOID POSSIBLE INJURY OR DAMAGE TO THE VEHICLE.

1. Remove the license plate from the bumper. Unplug the wiring harness leading to the bumper and move harness away from bumper, **(Figure 1)**.
2. Place blocks or jack stands under the bumper to support it during mounting bolt removal. Once the bumper has been safely supported, remove the hardware attaching the bumper brackets to the sides of the frame and remove the bumper, **(Figures 1 & 2)**. **WARNING!** Assistance is required to hold the bumper in place during hardware removal to prevent bumper from falling.
3. Select the passenger/right Frame Mounting Bracket, **(Figure 3)**. Reuse the factory bumper bracket hardware to attach the Bracket to the side of the outside of the frame, **(Figure 3)**. Repeat this Step to install the driver/left Bracket.
4. Remove sensors, (if equipped), from bumper. Remove the license plate lights and wiring harness from the bumper, **(Figure 4)**. Remove the trailer harness plug from the bottom of the hitch. Release the clips securing the trailer plug to the bracket and remove the plug.
5. Determine if the vehicle is equipped with sensors.

Models without bumper sensors:

- a. Select the included (4) Rubber Plugs, **(Figure 5)**.
- b. From behind bumper, push plugs into sensor mounting sleeves, **(Figure 5)**. Screws have been provided to lock the plugs into the sleeves. Use is optional.

Models with bumper mounted sensors:

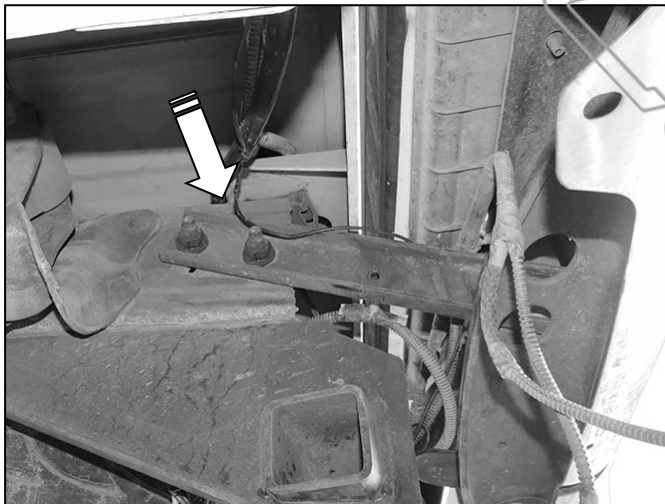
- a. Select (1) sensor. Test fit sensor in mounting sleeve. It may be necessary to cut or grind off the tabs on the sides of the sensor to fit into the sleeve.
- b. Insert the sensor into sensor mount, **(Figure 6)**.
- c. Secure each sensor to the sleeve with (2) 4mm x 10mm Button Head Screws, **(Figure 6)**.

IMPORTANT: Sensors fit snug in sockets. The 4mm Screws are used to apply slight pressure to lock the sensors in place. Tighten both screws evenly until they touch the sensor body only. Do not overtighten screws or damage to sensors will result.

- d. Repeat previous Steps to install remaining sensors.
6. Install the license plate lights, and trailer plug into the Bumper. **NOTE:** Use a flat blade screwdriver to carefully pry out the metal clips on the trailer plug to grab the edge of the opening if necessary.
7. Install the wiring harness. Attach the wiring harness to the sensors, lights and trailer plug as equipped.
8. With assistance, hold the Bumper assembly up to the Brackets. Temporarily support the weight of the Bumper. **WARNING:** To avoid possible injury or damage to the vehicle, do not proceed until the bumper is fully and safely supported.
9. Attach the Bumper to the Brackets with the included (4) 12mm x 40mm Hex Bolts, (8) 12mm Flat Washers and (4) 12mm Nylon Lock Nuts, **(Figure 7)**. Snug but do not fully tighten at this time.
10. Level and adjust the bumper and slowly lower the tailgate and check for clearance. Adjust the bumper as required and fully tighten all hardware to 65-70ft-lbs.
11. Do periodic inspections to the installation to make sure that all hardware is secure and tight.
12. Use the included (2) push-in plugs to attach the license plate to the Bumper, **(Figure 8)**.
13. Plug in the wiring harness on the Bumper to the main harness on the vehicle.
14. Do periodic inspections to the installation to make sure that all hardware is secure and tight.

To protect your investment Do not use any type of polish or wax that may contain abrasives that could damage the finish. Mild soap may be used to clean the Bumper assembly.

Driver/left Side Installation Pictured



(Fig 1) Remove the (2) bolts attaching the bumper bracket to the side of the frame (arrow). Driver/left side pictured

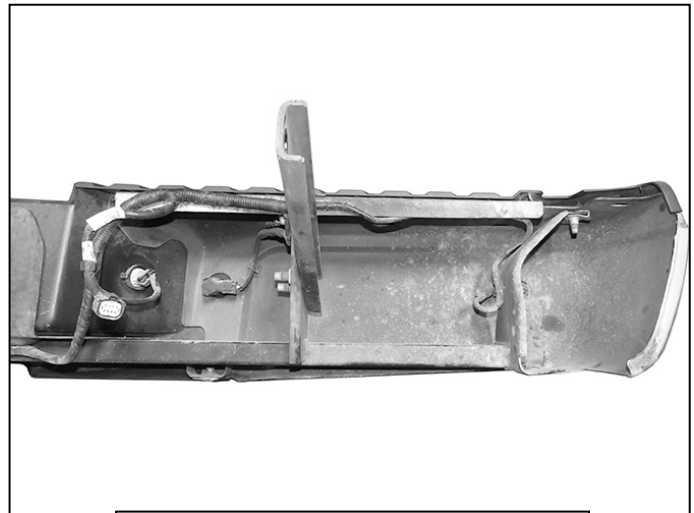


(Fig 2) Passenger/right side pictured without bumper and brackets

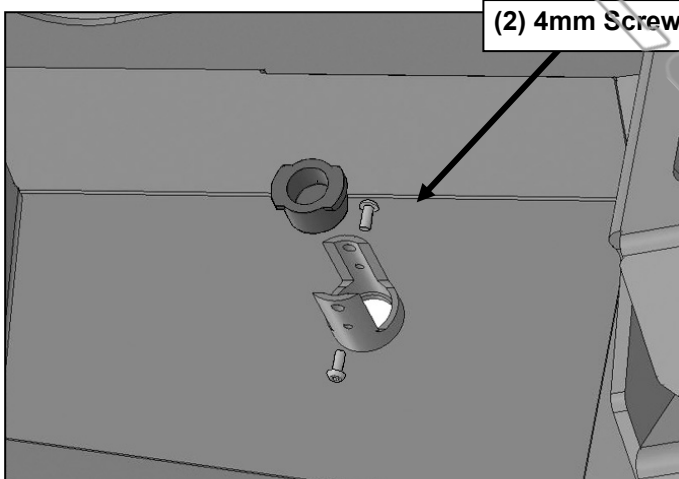
WARNING! Do not remove bumper bolts unless the bumper is properly supported on blocks or stands or the bumper may fall.



(Fig 3) Reuse the factory hardware to attach the driver/left Frame Mounting Bracket to the side of the frame



(Fig 4) Remove license plate lights, wiring harness and sensors, (if equipped), from factory bumper

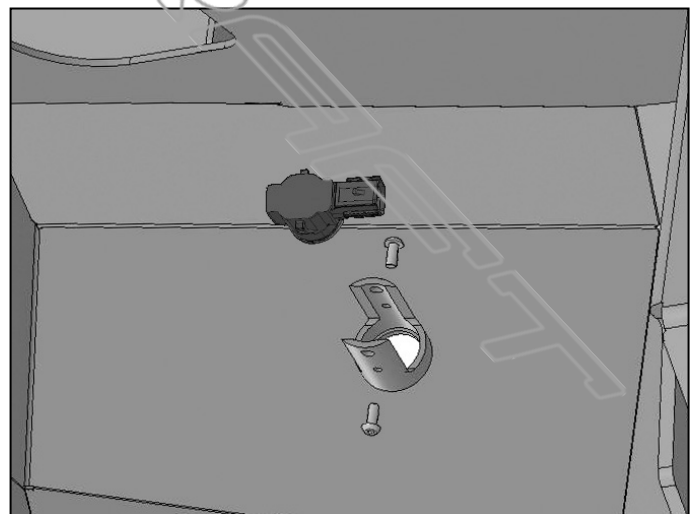


(2) 4mm Screws

(Fig 5) Push sensor hole plug into mounting sleeve. Use 4mm Screws to lock plug in place (optional).

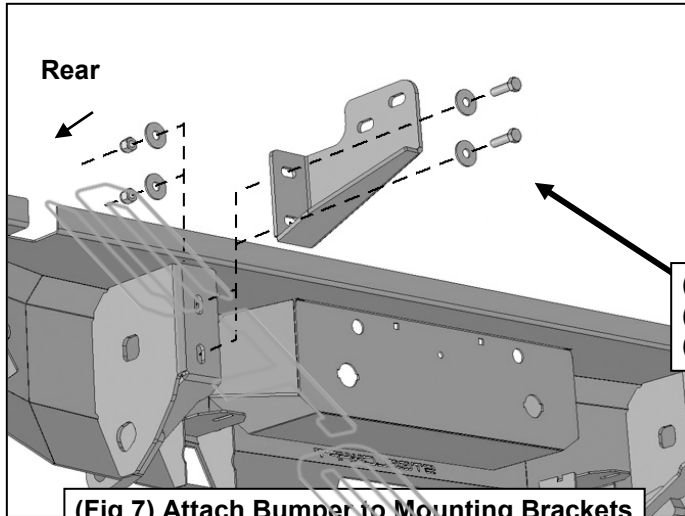
NOTE: Install wiring harness, trailer plug, sensors (if equipped), and license plate lights before installing Bumper

NOTE: Cut clips from sensors if necessary to fit snug in sockets. Use 4mm Screws to apply slight pressure to lock the sensors in place or to aim the sensor. Tighten both screws evenly until they touch the sensor body only. Do not overtighten screws or damage to sensors will result.



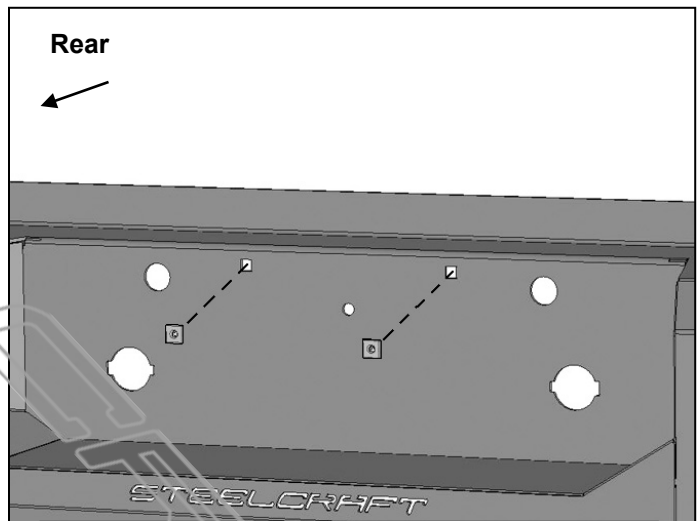
(Fig 6) Insert sensor into sleeve

**FORTIS REAR BUMPER
1999-2016 FORD F250-350**



(Fig 7) Attach Bumper to Mounting Brackets

NOTE: Install wiring harness, trailer plug, sensors (if equipped), and license plate lights before installing Bumper



(Fig 8) Push plugs into holes for license plate



Complete Installation