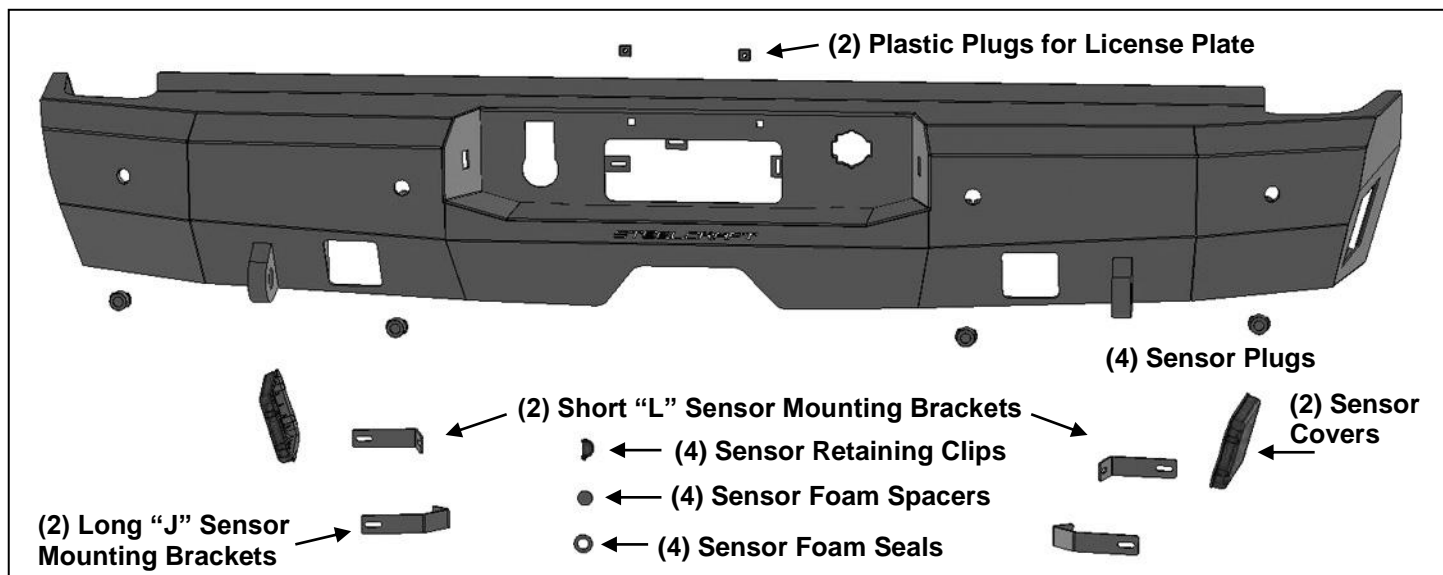


INSTALLATION INSTRUCTIONS

**FORTIS REAR BUMPER
2019 SILVERADO 1500**

PARTS LIST:

1	Fortis Rear Bumper	4	12mm Nylon Lock Nuts
2	Left or Right Long "J" Sensor Mount Brackets	10	6mm x 20mm Hex Bolts
2	Left or Right Short "L" Sensor Mount Brackets	20	6mm x 18mm x 1.6mm Flat Washers
2	Plastic Sensor Covers	10	6mm Lock Washers
4	Sensor Foam Seals	10	6mm Hex Nuts
4	Sensor Foam Spacers	8	5mm x 16mm Button Head Bolts
4	Sensor Retaining Clips	8	5mm x 10mm x 1mm Flat Washers
4	Sensor Rubber Plugs	8	5mm Lock Washers
1	Sensor Cover Kit	8	4-0.75mm x 10mm Button Head Bolts
2	Plastic Plugs for License Plate	1	3mm Allen wrench
4	12-1.75mm x 40mm Hex Bolts	1	2.5mm Allen Wrench
8	12mm x 37mm x 3mm Flat Washers		



PROCEDURE:

REMOVE CONTENTS FROM BOX. VERIFY ALL PARTS ARE PRESENT. READ INSTRUCTIONS CAREFULLY BEFORE STARTING INSTALLATION. ASSISTANCE IS HIGHLY RECOMMENDED TO AVOID POSSIBLE INJURY OR DAMAGE TO THE VEHICLE.

1. Remove the license plate and the (2) factory bolts behind the license plate, **(Figures 1 & 2)**.
2. Unplug all wiring harnesses leading to the bumper, **(Figure 3)**. Unplug the trailer plug, **(Figure 4)**.
3. Place blocks or jack stands under the bumper to support it during mounting bolt removal. Assistance is highly recommended to remove the bumper. Starting on the passenger/right side, remove the factory bolt attaching the side of the bumper to the bumper support bracket, **(Figure 5)**. Remove the (2) factory flange nuts attaching the bumper to the frame, **(Figure 6)**. Repeat this **Step** to remove the factory hardware on the driver/left side. With assistance, pull bumper straight out from vehicle.
4. Move the factory bumper to a stable surface. Unplug and remove the sensors, wiring harness, trailer plug, license lights, remote antenna with TPMS assembly bracket & the spare tire access key, as equipped, from the bumper, **(Figures 7—9)**.
5. Determine if the vehicle is equipped with parking sensors, cross traffic sensors and remote antenna:

Models without bumper parking sensors:

 - a. Select the included (4) Rubber Plugs.
 - b. From behind bumper, push plugs into sensor mounting holes, **(Figure 10)**. Use the included 4mm Screws to lock the Plug in the sensor mount (optional).

Models with bumper mounted parking sensors:

 - a. Remove the silicone seal from the end of the sensor. Slide the included Foam Washer over front of sensor, **(Figure 11)**.

- b. Attach (1) Foam Spacer to (1) Retaining Clip, **(Figure 12)**.
- c. Slide the sensor into the sensor sleeve on the back of the Bumper. Push and lock the Retaining Clip into the holes, **(Figure 12)**.
- d. Repeat the above steps for each parking sensor.

Models with Tire Pressure Monitoring System (TPMS):

- a. Select the factory remote antenna with TPMS assembly, **(Figure 13)**.
- b. Push the (3) clips on the TPMS assembly into the slots in the mounting tabs, **(Figures 14 & 15)**.

All models with or without cross traffic sensors:

- a. Select (1) Plastic Cover. Attach the cover to the inside of the driver/left end of the Bumper with (4) 5mm x 16mm Button Head Bolts, (4) 5mm Lock Washers and (4) 5mm Flat Washers, **(Figure 16)**. Repeat to install the Plastic Cover on the passenger/right side of the Bumper.

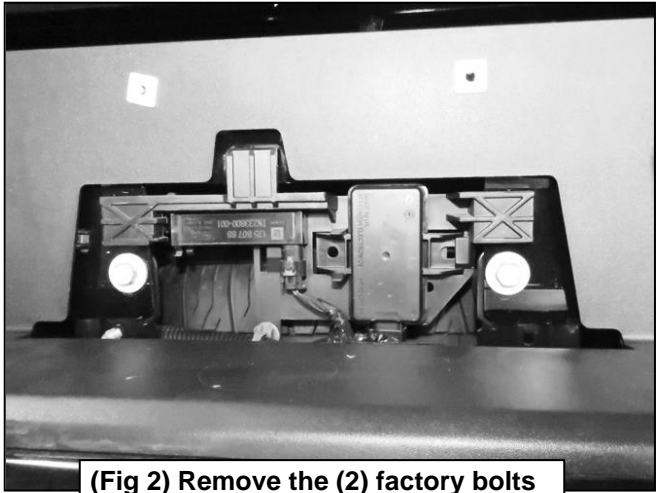
Models with cross traffic sensors only

- a. Attach (1) Long "J" Bracket and (1) Short "L" Bracket to the outside of the tabs on the back of the Bumper with the included (2) 6mm x 20mm Hex Bolts, (4) 6mm Flat Washers, (2) 6mm Lock Washers and (2) 6mm Hex Nuts, **(Figure 17)**. Do not fully tighten hardware at this time.
 - b. Attach the Sensor to the two Brackets with the included (2) 6mm x 20mm Hex Bolts, (4) 6mm Flat Washers, (2) 6mm Lock Washers and (2) 6mm Hex Nuts, **(Figure 18)**.
 - c. Adjust sensor location so that the "face" of the sensor is close but not touching the back of the Plastic Cover and sensor is centered in the opening in the Bumper. **NOTE:** Adjust sensor "face" so that it is installed vertical or close to vertical.
 - d. Repeat this Step to attach the passenger/right Brackets and sensor.
- 6. Push the (2) Plastic Plugs into the square holes in the Bumper. Snap the trailer plug & spare tire access lock into the openings in the Rear Bumper, **(Figure 14)**.
 - 7. Select (1) factory license plate light. Attach the light to the tab on the back of the Bumper with the included (1) 6mm x 20mm Hex Bolt, (2) 6mm Flat Washers, (1) 6mm Lock Washer and (1) 6mm Hex Nut, **(Figure 19)**. Repeat this Step to install the remaining license plate light.
 - 8. Install the factory wiring harness into the back of the Bumper. **NOTE:** Run the wire harness over the light mounting tabs on the back of the Bumper to avoid any interference with the exhaust. Plug the sensors, license light & remote antenna with TPMS assembly into the harness. **NOTE:** If necessary, cut the electrical tape on the wire harness to extend the reach to sensors.
 - 9. Remove the (2) factory bolts attaching the outer bumper support brackets to the frame, **(Figure 20)**.
 - 10. Temporarily support the weight of the Bumper. **WARNING:** To avoid possible injury or damage to the vehicle, do not proceed until the Bumper is fully and safely supported.
 - 11. With assistance, position the Bumper up to the frame. Attach the Bumper to the frame with the included (4) 12mm x 40mm Hex Bolts, (8) 12mm Flat Washers and (4) 12mm Nylon Lock Nuts, **(Figures 21 & 22)**. Do not fully tighten hardware at this time.
 - 12. Level and adjust the bumper and fully tighten all hardware. Slowly open tailgate and check for clearance. Adjust as necessary.
 - 13. Plug the all wire harnesses & trailer plug into the vehicle harness.
 - 14. Do periodic inspections to the installation to make sure that all hardware is secure and tight.

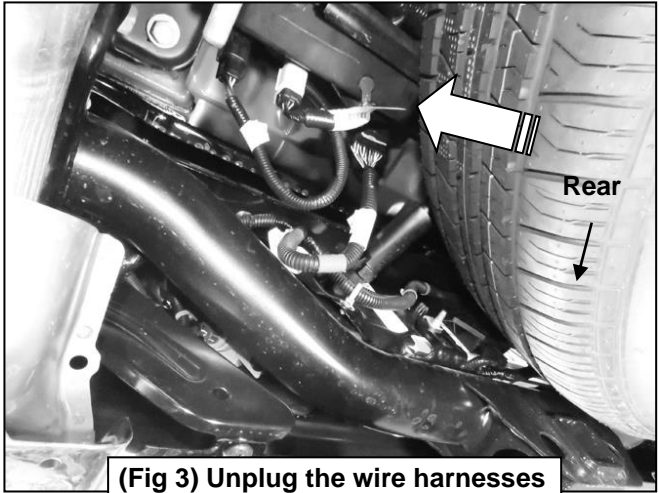
To protect your investment, Do not use any type of polish or wax that may contain abrasives that could damage the finish. Mild soap may be used to clean the Bumper assembly.



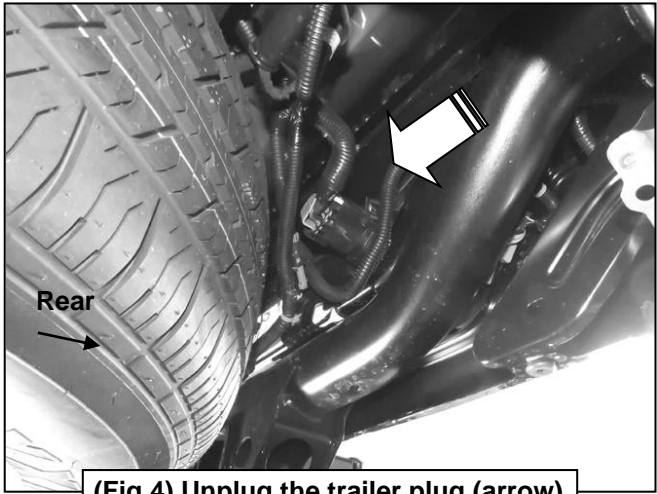
(Fig 1) Remove the license plate from the rear bumper



(Fig 2) Remove the (2) factory bolts from behind the license plate



(Fig 3) Unplug the wire harnesses leading to the Bumper



(Fig 4) Unplug the trailer plug (arrow)

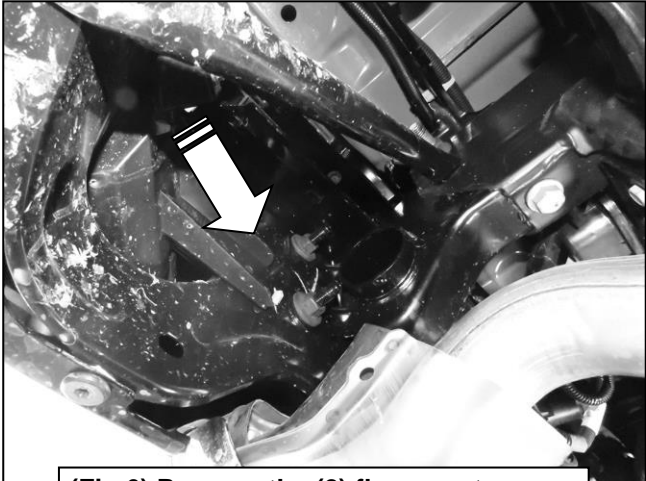


(Fig 5) Remove the bolts attaching the outer bumper supports to the bottom of the bumper (arrow)

WARNING! Fully support the weight of the bumper with blocks or stands to prevent injury or damage to the vehicle.

Passenger/right side installation pictured

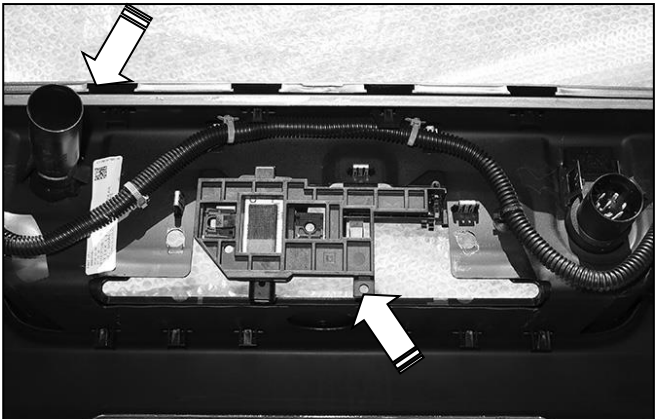
WARNING! Fully support the weight of the bumper with blocks or stands to prevent injury or damage to the vehicle.



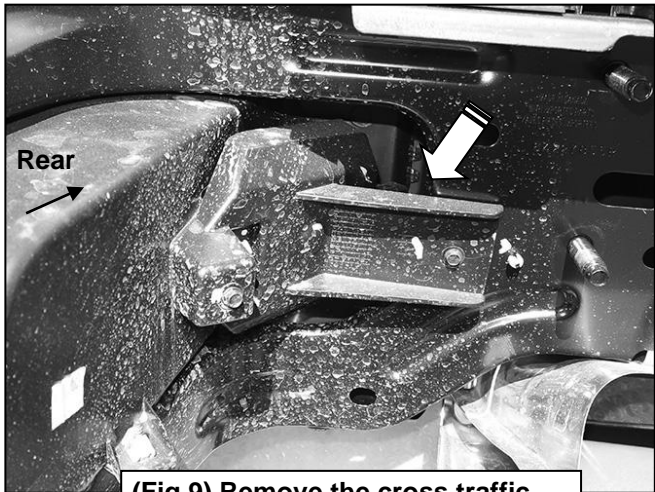
(Fig 6) Remove the (2) flange nuts per side attaching the bumper to the frame



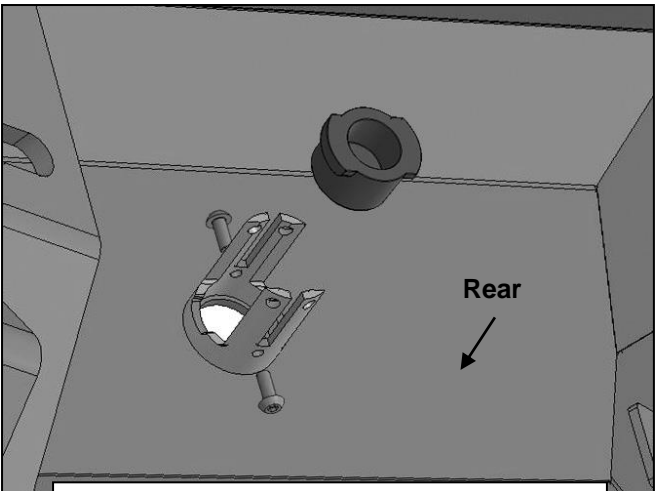
(Fig 7) Remove trailer plug and unplug license plate light



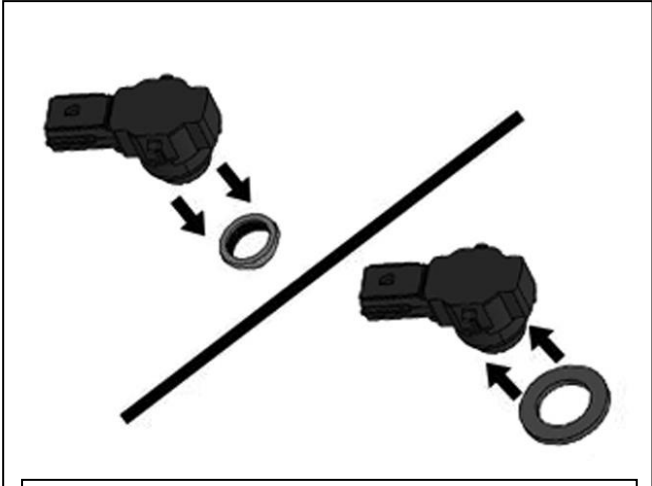
(Fig 8) Remove the sensors, remote antenna with TPMS assembly & spare tire access tube from the back of the bumper. Also remove wire harness.



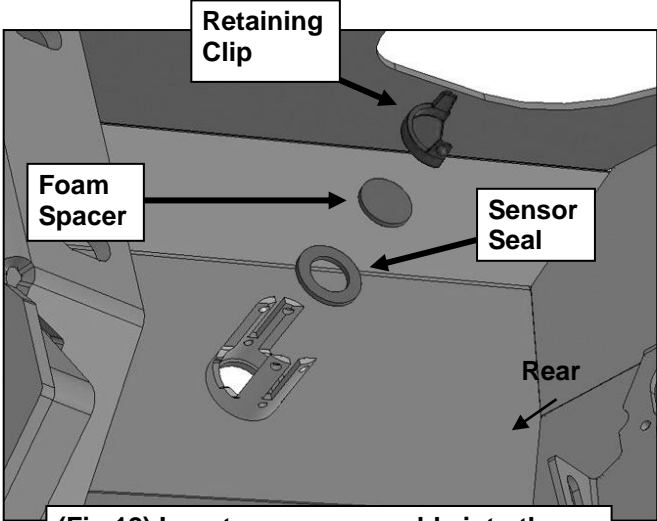
(Fig 9) Remove the cross traffic alert sensors if equipped (arrow)



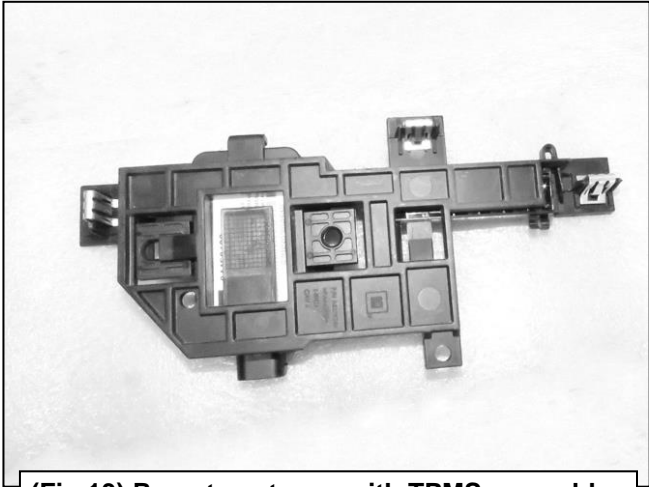
(Fig 10) Models without parking sensors, insert Rubber Plugs into sensor mounts



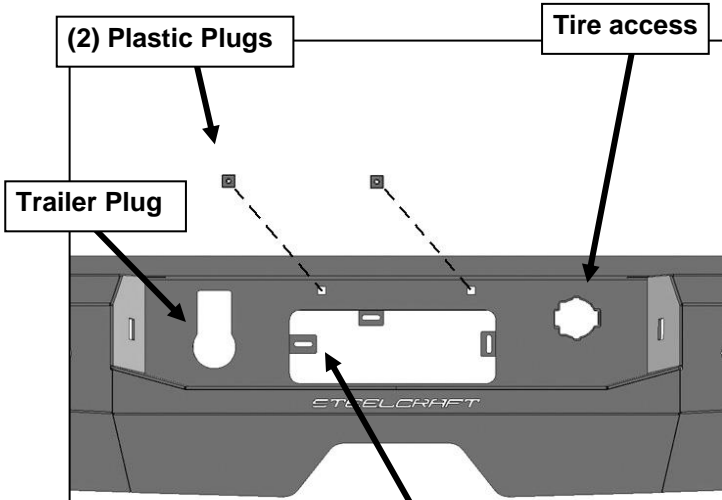
(Fig 11) Remove the silicone seal from sensor. Slide Foam Seal over end of sensor (arrow)



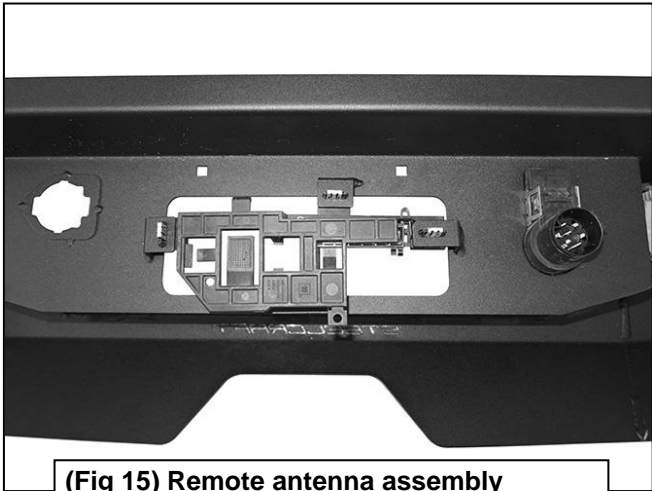
(Fig 12) Insert sensor assembly into the sensor sleeve. Secure with Retaining Clip.



(Fig 13) Remote antenna with TPMS assembly

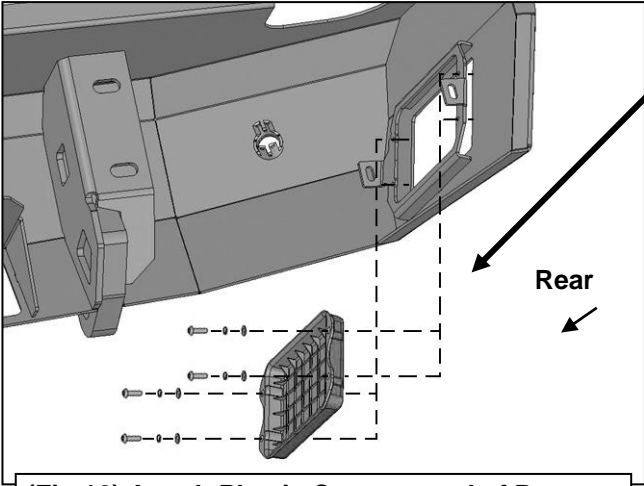


(Fig 14) Attach remote antenna assembly (Fig 13), to slots in mounting tabs. Push in license plate plugs, trailer plug and spare tire access tube lock



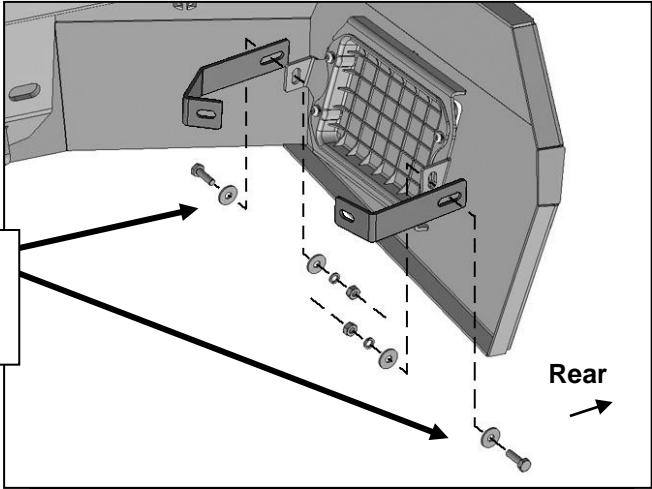
(Fig 15) Remote antenna assembly installation pictured from back of Bumper

**FORTIS REAR BUMPER
2019 SILVERADO 1500**



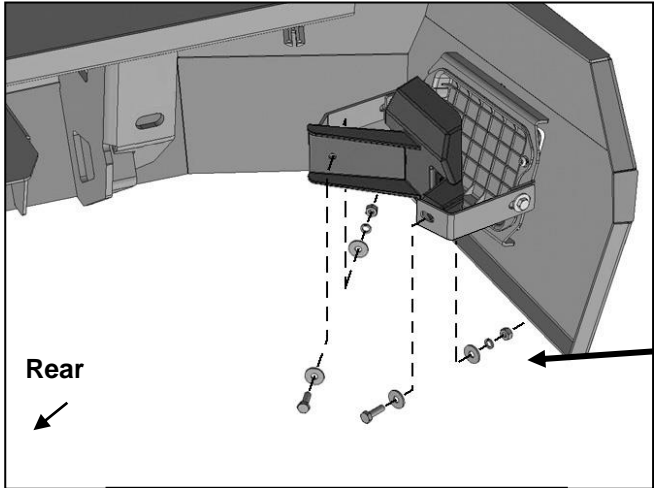
- (4) 5mm x 16mm Button Head Bolts
- (4) 5mm Lock Washers
- (4) 5mm Flat Washers

(Fig 16) Attach Plastic Cover to end of Bumper



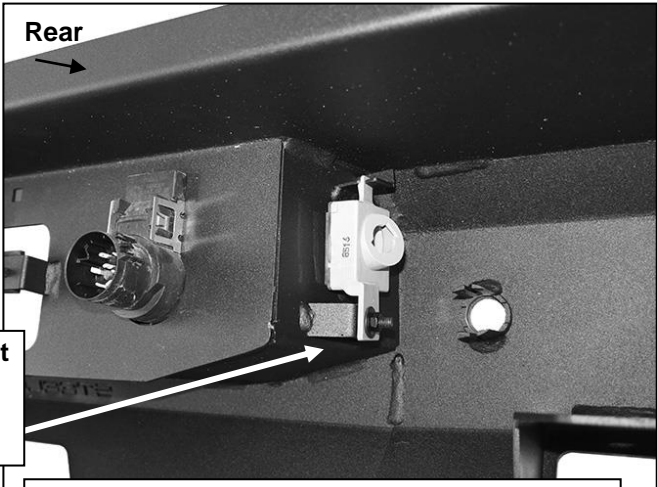
- (2) 6mm x 20mm Hex Bolts
- (4) 6mm Flat Washers
- (2) 6mm Lock Washers
- (2) 6mm Hex Nuts

(Fig 17) Attach (1) Long "J" and (1) Short "L" Bracket to the tabs on back of the Bumper.



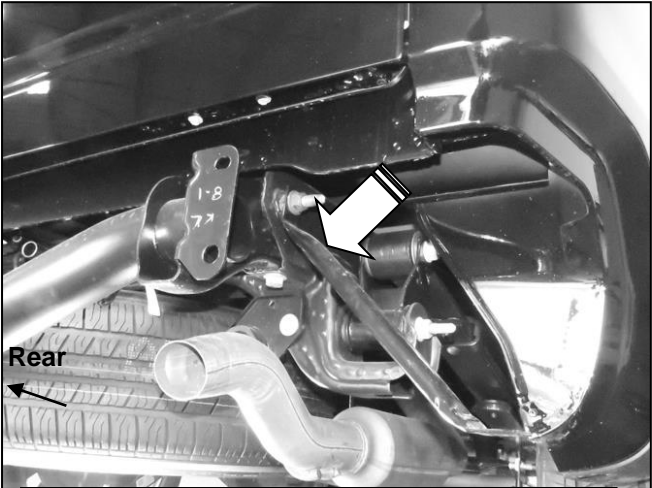
- (2) 6mm x 20mm Hex Bolts
- (4) 6mm Flat Washers
- (2) 6mm Lock Washers
- (2) 6mm Hex Nuts

(Fig 18) Attach sensor to Brackets



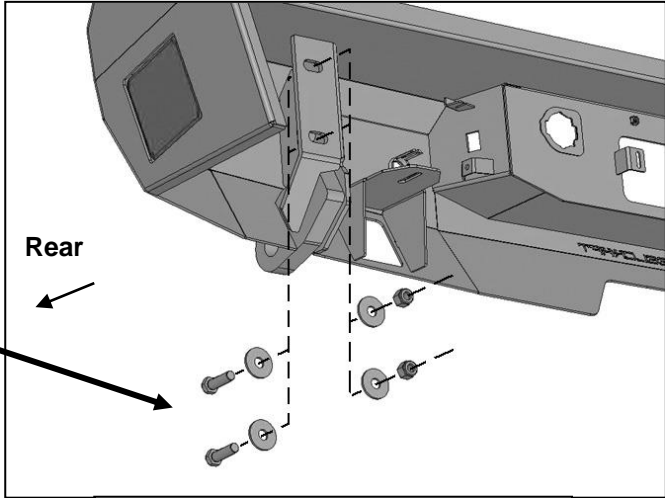
- 6mm x 20mm Hex Bolt
- (2) 6mm Flat Washers
- 6mm Lock Washer
- 6mm Hex Nut

(Fig 19) Attach license plate lights to bumper

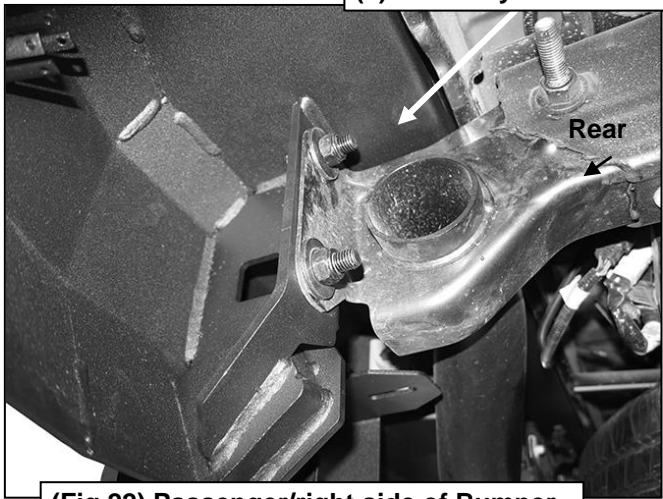


(Fig 20) Remove the outer bumper supports from both sides of the frame (arrow). Note passenger/right side pictured

WARNING! Fully support the weight of the bumper with blocks or stands to prevent injury or damage to the vehicle.



(Fig 21) Attach Bumper to the frame (passenger/right side of illustrated)



(Fig 22) Passenger/right side of Bumper attached to the frame pictured

