

The logo for Ford Fortis is a large, stylized, outlined text graphic that runs diagonally across the page from the top-left to the bottom-right. It features the word "FORD" in a bold, blocky font, followed by "FORTIS" in a similar but slightly more elongated font.

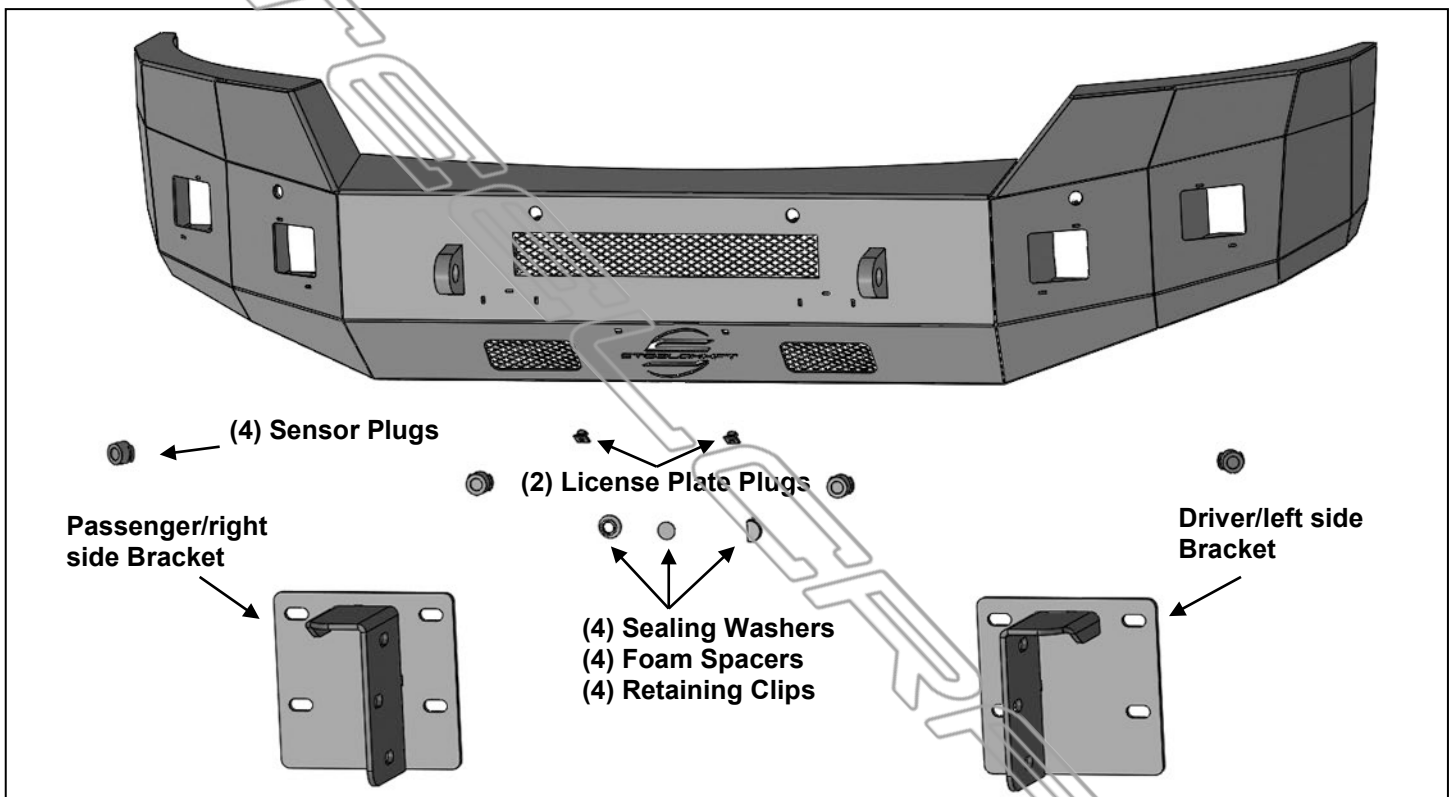
INSTALLATION INSTRUCTIONS

**FORTIS FRONT BUMPER
2015-19 GMC SIERRA 25-3500**

**FORTIS FRONT BUMPER
2015-19 GMC SIERRA 25-3500**

PARTS LIST:

1	Fortis Front Bumper	6	12mm x 45mm Hex Bolts
1	Driver/left side Bracket	12	12mm x32mm x 3mm Flat Washers
1	Passenger/right side Bracket	6	12mm Lock Washers
1	Driver/left side LED Light Bracket	6	12mm Hex Nuts
1	Passenger/right side LED Light Bracket	2	8mm x 25mm Hex Bolts
2	Plastic Plugs	2	8mm x 16mm Hex Bolts
1	Sensor Cover Kit	6	8mm x 24mm x 2mm Flat Washers
4	Sensor Sealing Washers	4	8mm Lock Washers
4	Sensor Foam Spacers	2	8mm Hex Nuts
4	Sensor Retaining Rings	8	4mm x 10mm Button Head Bolts
4	Sensor Rubber Plugs	1	Allen Wrench S=2.5 (Use for 4mm hardware)



PROCEDURE: REMOVE CONTENTS FROM BOX. VERIFY ALL PARTS ARE PRESENT. READ INSTRUCTIONS CAREFULLY BEFORE STARTING INSTALLATION. BUMPER IS HEAVY, ASSISTANCE IS HIGHLY RECOMMENDED TO AVOID POSSIBLE INJURY OR DAMAGE TO THE VEHICLE.

1. Remove the license plate and bracket. On models with factory fog lights and/or bumper sensors, unplug the main wiring harness leading to the bumper, **(Figure 1)**.
2. Open the hood and remove the plastic cover on top of the radiator and the grille, **(Figure 2)**. Temporarily remove the plastic grille.
3. Release the rubber air deflector from the back of the bumper, if equipped, and remove it from vehicle. Next, remove the hardware at each end of the bumper attaching the bumper supports to each side of the frame, **(Figure 3)**.
4. Place blocks or jack stands under the front bumper to support it during mounting bolt removal. Once the bumper has been supported, remove the lower bumper bolts attaching the inner bumper bracket to the frame bracket. Next, from above the bumper, remove the (2) bumper bolts from each side, **(Figure 4)**. **WARNING!** Assistance is required to hold the bumper in place during bolt removal to prevent the bumper from falling. Remove the bumper assembly.

FORTIS FRONT BUMPER
2015-19 GMC SIERRA 25-3500

5. Remove the driver/left factory bumper bracket from the end of frame, **(Figure 5)**. Save the (4) hex bolts for reuse. Remove the tow hook, **(Figure 6)**. Repeat this **Step** to remove the passenger side bracket and tow hook. **NOTE:** Tow hooks cannot be reinstalled.
6. Select the Driver/left side Bracket. Reuse the (4) factory bumper bracket bolts to attach the Bracket to the frame, **(Figures 7 & 8)**. Snug but do not fully tighten hardware at this time.
7. Repeat the previous Step to attach the Passenger/right side Bracket the end of the frame.
8. Determine if the vehicle is equipped with sensors:

Models without bumper sensors:

- a. Select the included (4) Rubber Plugs.
- b. From behind bumper, push plugs into sensor sleeves.

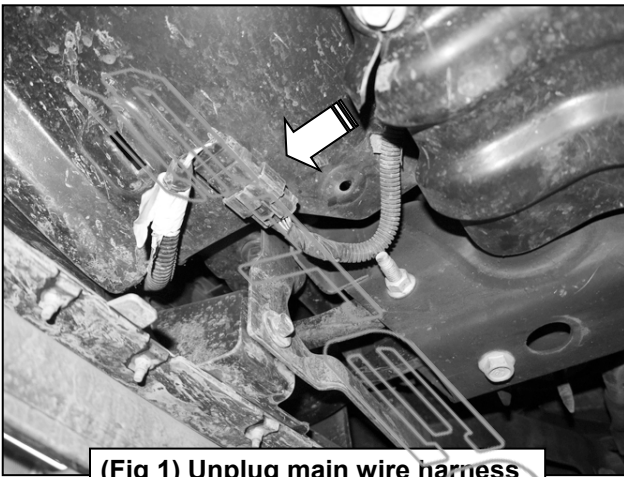
Models with bumper mounted sensors:

- a. Unplug and remove sensors and wiring harness from factory bumper, **(Figure 9)**.
 - b. Remove the silicone seal from the end of the sensor. Slide the included larger Sensor Seal over front of sensor, **(Figure 10)**.
 - c. Slide the Sensor tabs through the sensor sleeve openings, **(Figure 11)**.
 - d. Attach (1) Foam Spacer to (1) Retaining Clip. Push the Retaining Clip into the sensor sleeve and lock into mounting holes, **(Figure 11)**.
 - e. Repeat previous Steps to install remaining sensors.
 - f. Install wiring harness for sensors.
 - g. **Optional:** Secure each sensor to the socket with (2) 4mm x 10mm Button Head Screws.
IMPORTANT: Sensors fit snug in sockets. The 4mm Screws are used to apply slight pressure to lock the sensors in place. Tighten both screws evenly until they touch the sensor body only. Do not overtighten screws or damage to sensors will result.
9. **Optional Center LED light installation**, (sold separately).
- a. Select the L/R "L" Brackets, **(Figure 12)**. **NOTE:** "L" Brackets are offset for universal fitment for most LED bar style lights. Attach the LED light assembly to the "L" Brackets with the included (2) 8mm x 16mm Hex Bolts, (2) 8mm Lock Washers and (2) 8mm Flat Washers, **(Figure 12)**. Do not fully tighten hardware at this time. **NOTE:** "L" Brackets may require modification for hardware larger than 8mm or use brackets supplied with light if possible.
 - b. Attach the light and brackets to the top of the (2) tabs on the back of the Bumper with the included 8mm x 25mm Hex Bolts, (4) 8mm Flat Washers, (2) 8mm Lock Washers and (2) 8mm Hex Nuts, **(Figure 12)**. Adjust light position and tighten hardware.
 - c. Follow light manufacturer's instructions to wire the light to the vehicle's electrical system once Bumper has been fully installed.
10. **LED light installation at ends of bumper** (sold separately).
- a. Insert the light into the opening and up to the mounting slots. Check for clearance between front and back of light.
 - b. Follow the light manufacturer's instructions to attach each light to slot in the top of the light opening. **NOTE:** On two light systems, attach the flood light to the outer slot and attach the spot light to the inner slot.
 - c. Repeat the above steps for passenger side light installation.
 - d. Follow the light manufacturer's instructions to adjust and properly wire the light to the vehicle's electrical system.
11. With assistance, position the Bumper Assembly up to the insides of the Mounting Brackets. Temporarily support the weight of the Bumper. **WARNING:** To avoid possible injury or damage to the vehicle, do not proceed until the Bumper is fully and safely supported.
12. Line up the (3) slots on the Brackets to the (3) slots on the Bumper tabs. Attach the Bumper to the Brackets with the included (6) 12mm Hex Bolts, (12) 12mm Flat Washers, (6) 12mm Lock Washers and (6) 12mm Hex Nuts, **(Figure 13)**. Do not fully tighten hardware at this time.
13. Use the (2) Plastic Plugs to attach the License Plate to the front of the Bumper, **(Figure 14)**.
14. Level and adjust the bumper and fully tighten all hardware.
15. Do periodic inspections to the installation to make sure that all hardware is secure and tight.

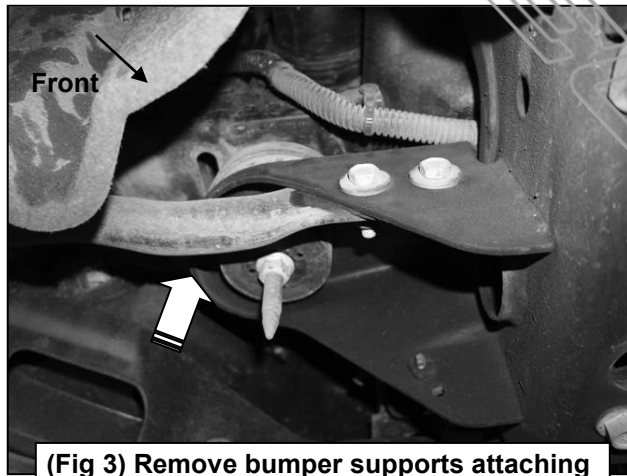
**FORTIS FRONT BUMPER
2015-19 GMC SIERRA 25-3500**

To protect your investment Do not use any type of polish or wax that may contain abrasives that could damage the finish. Mild soap may be used to clean the Front Bumper assembly.

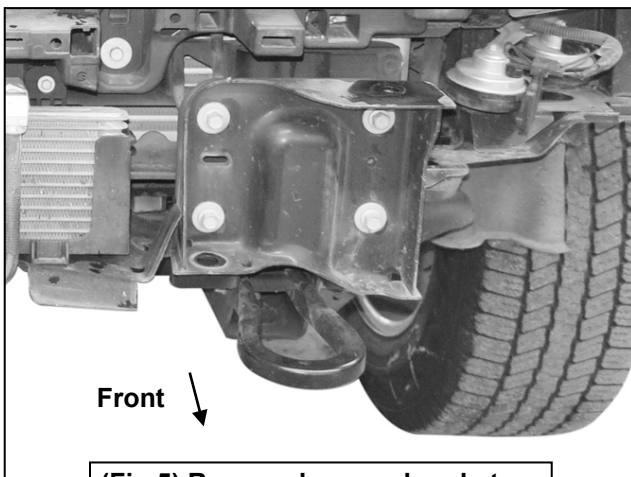
Driver Side Installation Pictured



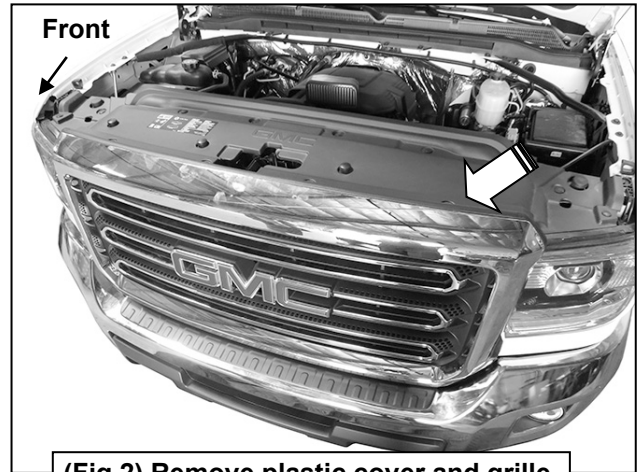
(Fig 1) Unplug main wire harness



(Fig 3) Remove bumper supports attaching outer end of bumper to frame (arrow)

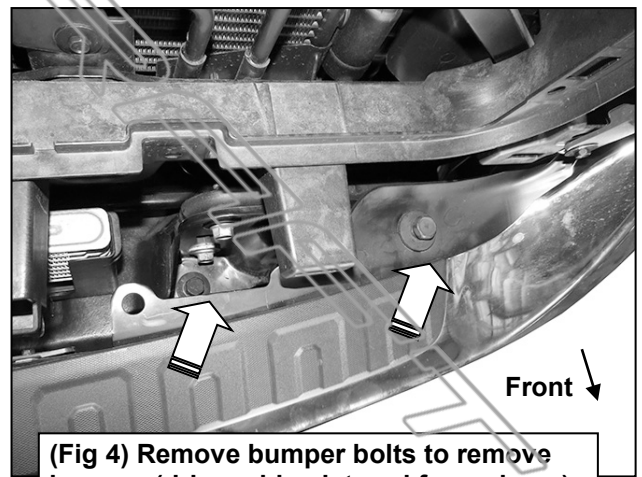


(Fig 5) Remove bumper brackets



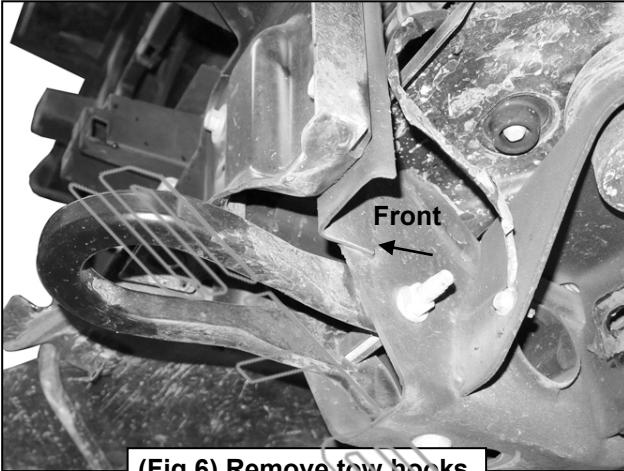
(Fig 2) Remove plastic cover and grille

WARNING! Do not remove bumper bolts unless the bumper is properly supported on blocks or stands or the bumper may fall.

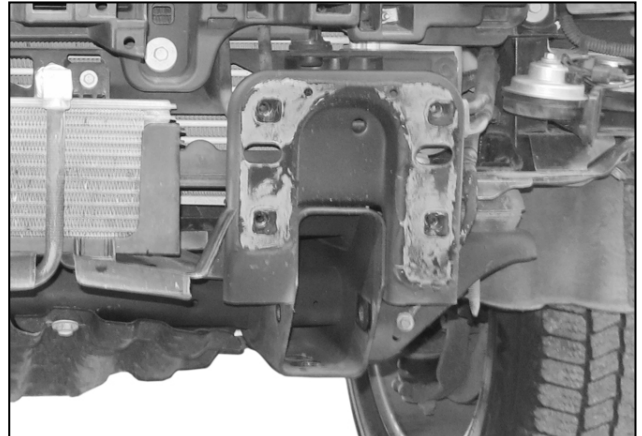


(Fig 4) Remove bumper bolts to remove bumper (driver side pictured from above)

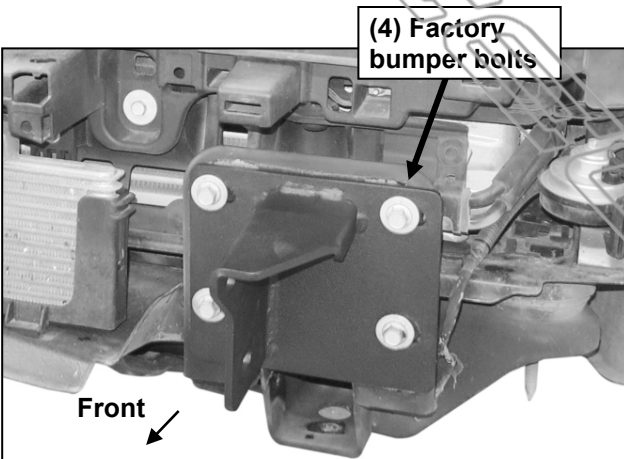
Driver side installation pictured



(Fig 6) Remove tow hooks



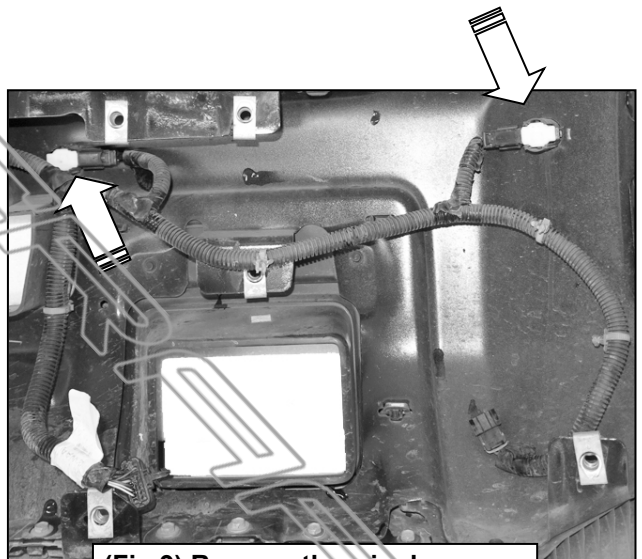
(Fig 7) Driver/left side frame mounting location



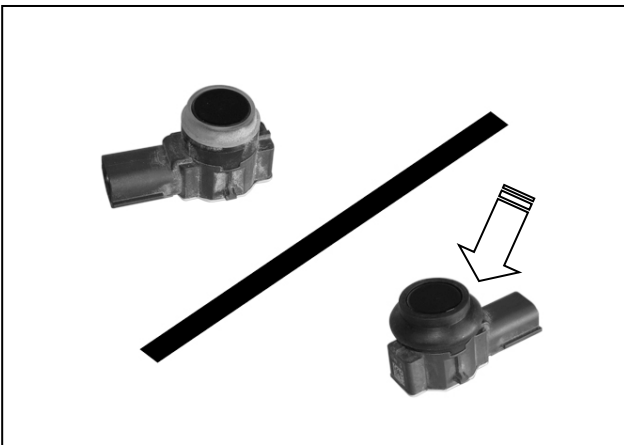
(4) Factory bumper bolts

Front

(Fig 8) Reuse factory bumper bolts to attach Driver/left side Bracket to end of frame



(Fig 9) Remove the wire harness from the back of the Bumper

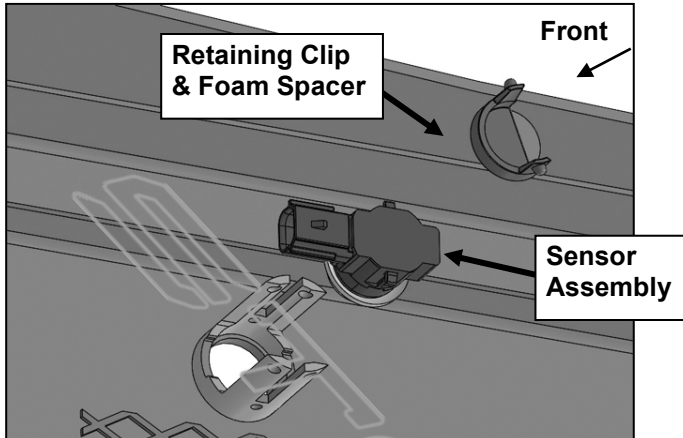


(Fig 10) Remove silicone seal from sensor. Slide large Seal over end of sensor (arrow)

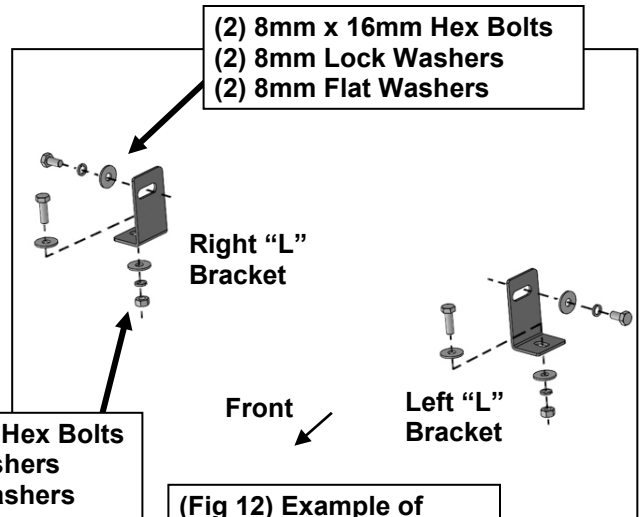
NOTE: Sensor plugs fit snug in sockets. Use of the 4mm Screws is optional. 4mm Screws can also be used to apply slight pressure to lock the sensors in place or to aim the sensor. Tighten both screws evenly until they touch the sensor body only. Do not overtighten screws or damage to sensors will result.

**FORTIS FRONT BUMPER
2015-19 GMC SIERRA 25-3500**

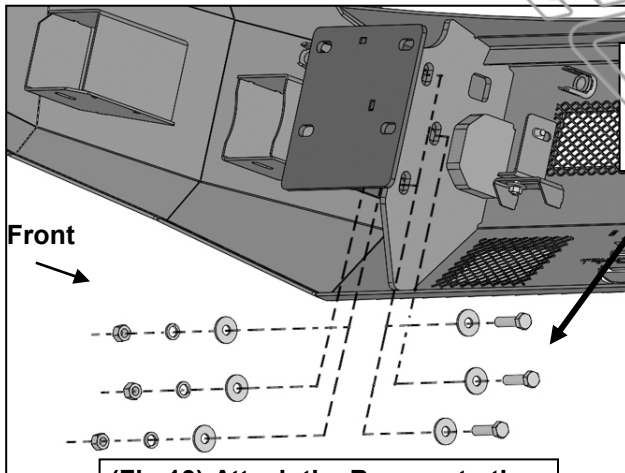
Driver side installation pictured



(Fig 11) Insert sensor assembly through the back of the sensor sleeve and secure with retaining clip

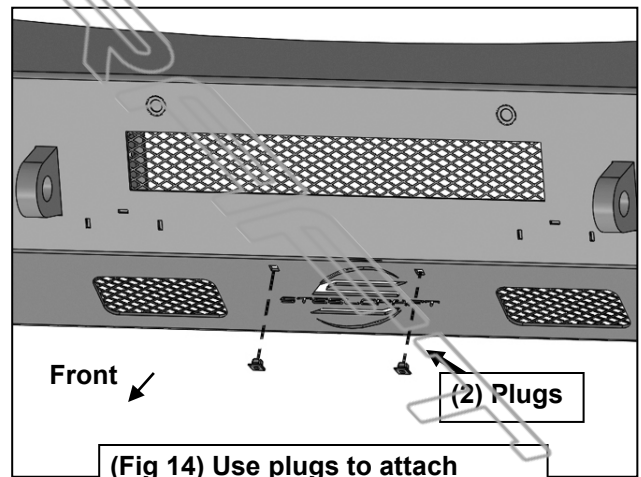


(Fig 12) Example of center light installation



(Fig 13) Attach the Bumper to the insides of the Mounting Brackets

WARNING! Do not crawl under bumper unless the bumper is properly supported on blocks or stands or the bumper may fall.



(Fig 14) Use plugs to attach License plate to front of bumper

