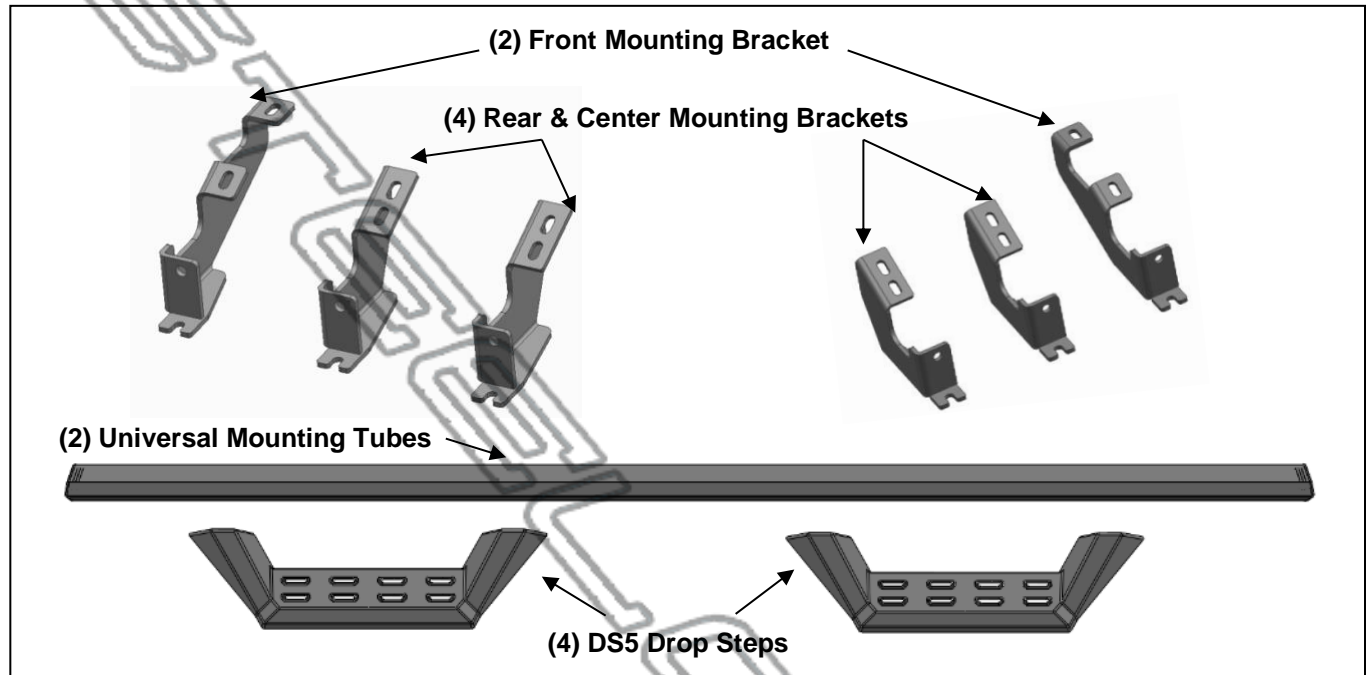


PARTS LIST:

| | | | |
|---|---------------------------------|----|-------------------------------|
| 2 | Universal Mounting Tubes (85" | 28 | 8-1.25 x 25mm T-Bolts |
| 2 | Left Plastic End Caps | 12 | 8-1.25mm x 30mm Hex Bolts |
| 2 | Right Plastic End Caps | 12 | 8-1.25mm Hex Nuts |
| 4 | DS5 Drop Steps | 16 | 8-1.25mm Nylon Lock Nuts |
| 2 | Front Mounting Brackets | 24 | 8mm x 24mm x 2mm Flat Washers |
| 4 | Rear & Center Mounting Brackets | 24 | 8mm Lock Washers |
| 8 | Spacers | | |

**PROCEDURE:**

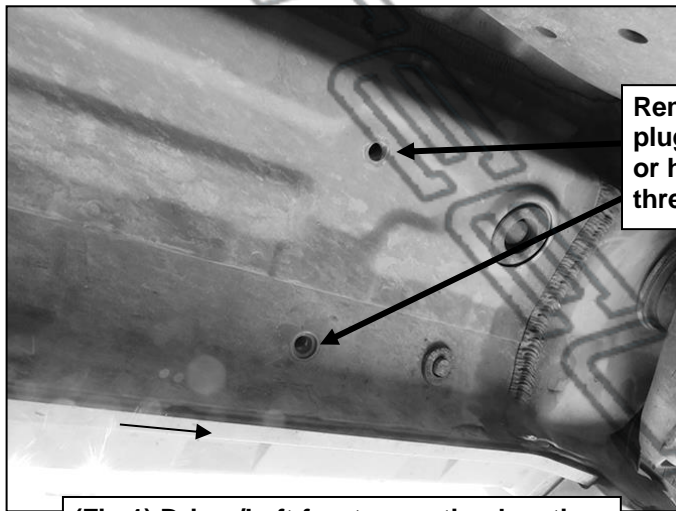
REMOVE CONTENTS FROM BOX. VERIFY ALL PARTS ARE PRESENT. READ INSTRUCTIONS CAREFULLY. ASSISTANCE IS RECOMMENDED.

- Starting on the Driver/Left side of the vehicle, remove the plastic plugs or hex bolts from the factory mounting location along the bottom of the body, **(Figures 1, 4 & 7)**.
- Select the Front Mounting Bracket. Attach the Mounting Bracket to the front mounting location with (2) 8mm Hex Bolts, (2) 8mm Lock Washers and (2) 8mm Flat Washers, **(Figures 1—3)**. Do not tighten hardware.
- Select (1) Center/Rear Mounting Bracket. Attach the Mounting Bracket to the center location with (2) 8mm Hex Bolts, (2) 8mm Lock Washers and (2) 8mm Flat Washers, **(Figures 4—6)**. Do not tighten hardware.
- Repeat Step 4 to attach the remaining (1) Center/Rear Mounting Bracket to the rear location, **(Figures 7 & 8)**. Do not tighten hardware.
- Select the Universal Mounting Tube. Select (6) 8mm T-bolts. Insert the T-bolts into the rear and bottom channels of the Universal Mounting Tube, **(Figure 9)**. Guide the T-bolts to the general position of the Mounting Brackets.
- Take (8) 8mm T-bolts. Insert the T-bolts into the front channels of the Universal Mounting Tube **(Figure 10)**. Each front channel should have (4) T-bolts, which corresponds to the holes on the DS5 Drop Steps.
- Attach the DS5 Drop Steps to the Universal Mounting Tube. Each DS5 Drop Step uses (2) 8mm Plate Washers and (4) 8mm Nylon Lock Nuts, **(Figure 11—12)**. Do not tighten hardware. While the hardware is not tightened, the Drop Steps will slide along the length of the channels.
- Take (2) Plastic End Caps. Insert the correctly oriented Plastic End Caps onto the ends of the Universal Mounting Tube, **(Figure 13)**. It is recommended to secure one end and to use a rubber mallet to

carefully tap the Plastic End Caps into place on the other end. Inspect the installed Plastic End Caps to see if they are facing the correct direction.

9. Attach the Universal Mounting Tube to the Mounting Brackets. Each Mounting Bracket uses (2) 8mm Flat Washers, (2) 8mm Lock Washers and (2) 8mm Hex Nuts, **(Figure 14—17)**. Do not tighten hardware.
10. Level and adjust the Universal Mounting Tube and tighten all hardware.
11. Adjust the DS5 Drop Steps by sliding them to the desired positions. Tighten all hardware to secure the Drop Steps in place.
12. Repeat **Steps 1—11** to attach the other Running Board.
13. Do periodic inspections to the installation to make sure that all hardware is secure and tight.

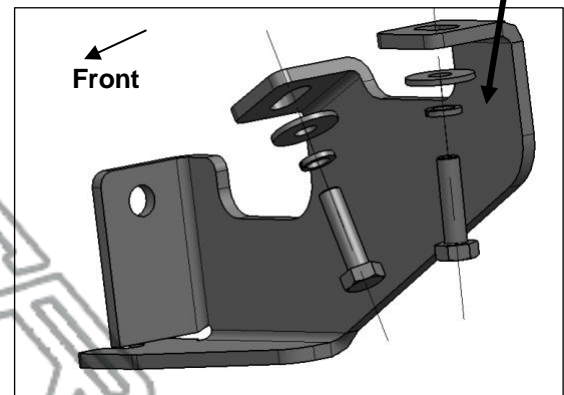
To protect your investment, Do not use any type of polish or wax that may contain abrasives that could damage the finish. Use only mild soap to clean the Running Boards.



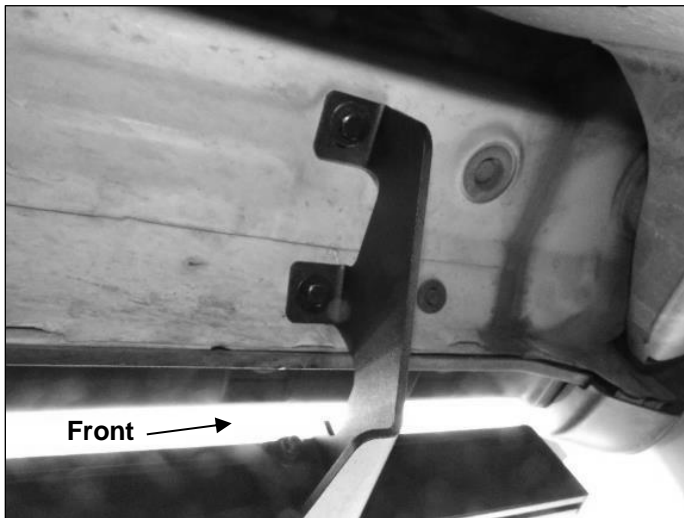
(Fig 1) Driver/Left front mounting location

Remove plastic plugs (if equipped) or hex bolts from threaded holes

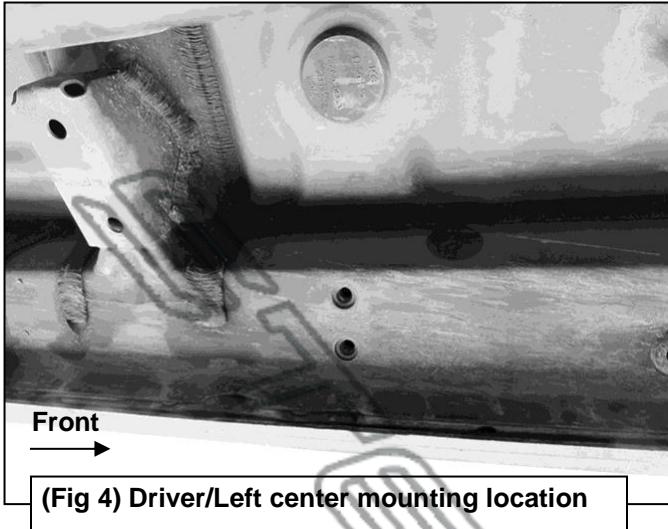
(2) 8mm x 30mm Hex Bolts
(2) 8mm Lock Washers
(2) 8mm x 24mm x 2mm Flat Washers



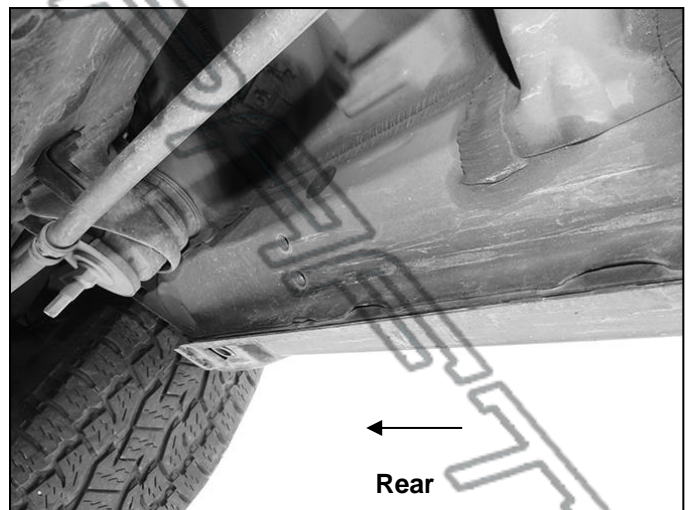
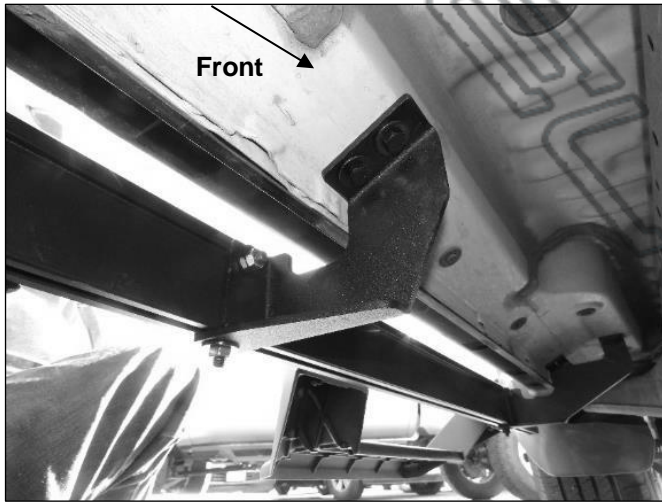
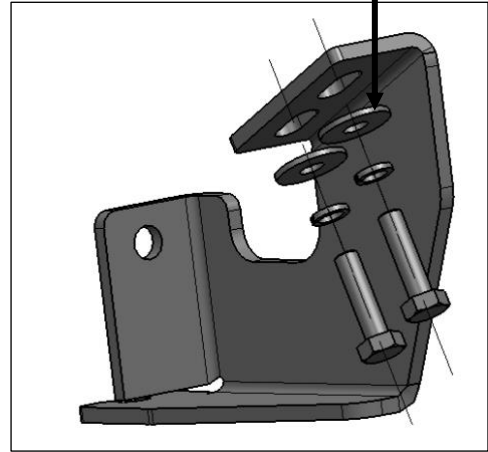
(Fig 2) Attach the Driver/Left Front Mounting Bracket to the front location

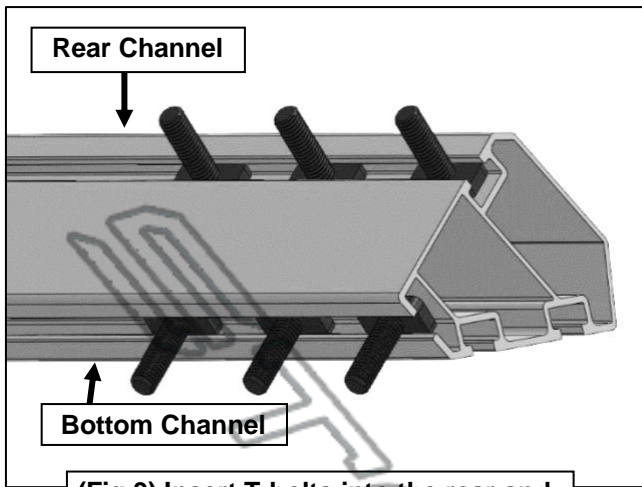


(Fig 3) Driver/Left Front Mounting Bracket attached to the front location

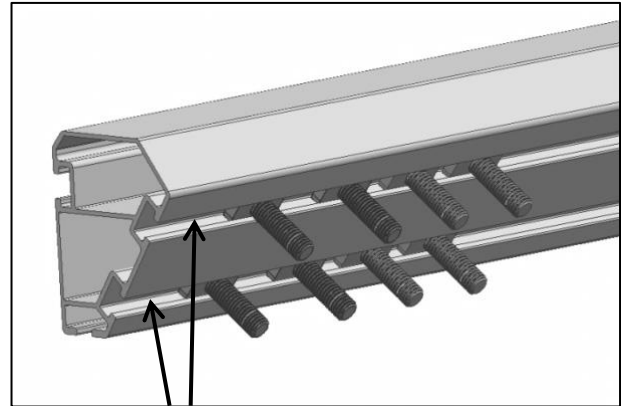


- (2) 8mm x 30mm Hex Bolts
- (2) 8mm Lock Washers
- (2) 8mm x 24mm x 2mm Flat Washers



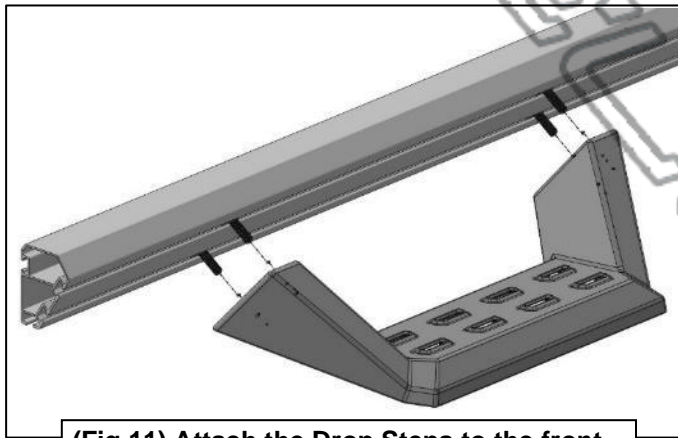


(Fig 9) Insert T-bolts into the rear and bottom channels on the universal mounting tube.

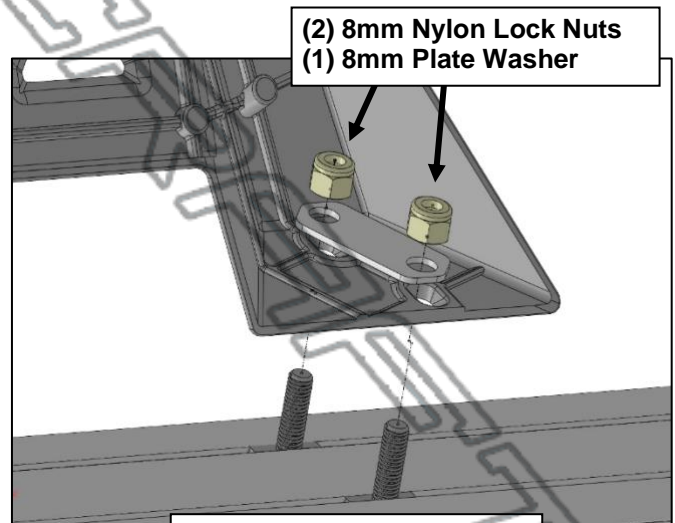


Front Channels

(Fig 10) Insert T-bolts into the Front channels on the universal mounting tube.



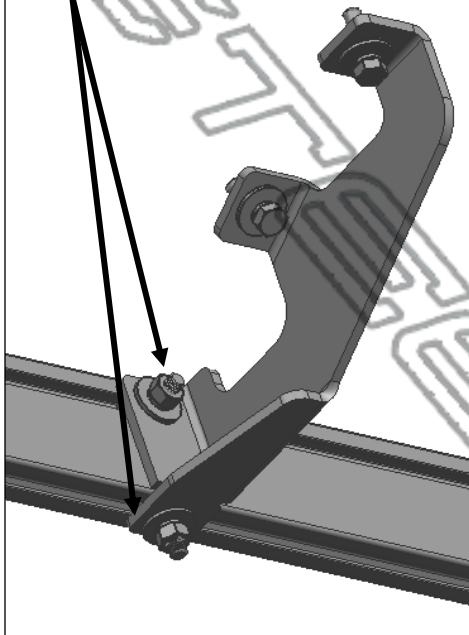
(Fig 11) Attach the Drop Steps to the front channels of the Universal Mounting Tube.



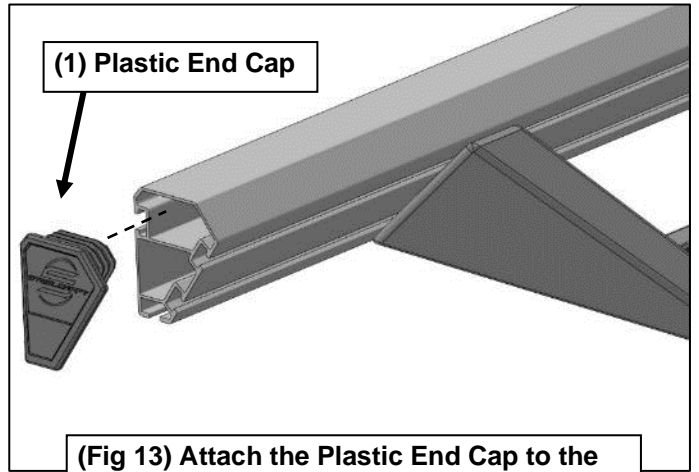
**(2) 8mm Nylon Lock Nuts
(1) 8mm Plate Washer**

(Fig 12) Attach the Drop Steps to the 8mm T-bolts.

- (2) 8mm x 30mm Hex Bolts
- (2) 8mm Lock Washers
- (2) 8mm x 24mm x 2mm Flat Washers

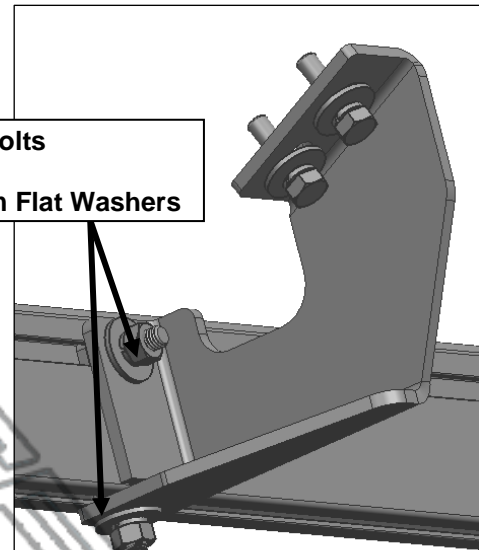


(Fig 14) Attach the Universal Mounting Tube to the Front Mounting Bracket.



(Fig 13) Attach the Plastic End Cap to the end of the Universal Mounting Tube.

- (2) 8mm x 30mm Hex Bolts
- (2) 8mm Lock Washers
- (2) 8mm x 24mm x 2mm Flat Washers



(Fig 15) Attach the Universal Mounting Tube to the Rear & Center Mounting Brackets.



(Fig 16) Universal Mounting Tube attached to the Front Mounting Bracket.



(Fig 17) Universal Mounting Tube attached to the Center & Rear Mounting Bracket.