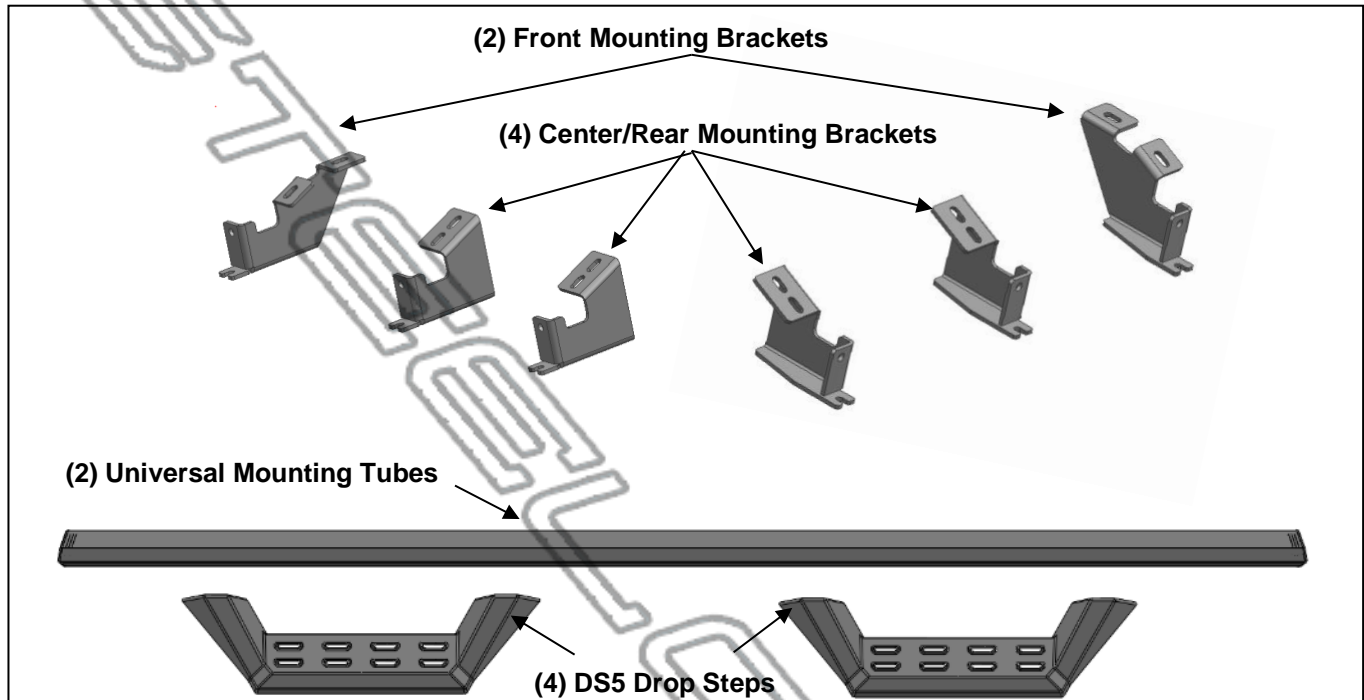


**PARTS LIST:**

2	Universal Mounting Tubes ( 69"	24	8mm Lock Washers
4	DS5 Drop Steps	24	8mm x 24mm x 2mm Flat Washers
2	Front Mounting Brackets	12	8-1.25mm Hex Nuts
4	Center/Rear Mounting Brackets	12	8-1.25mm x 30mm Hex Bolts
8	Plate Washers	16	8-1.25mm Nylon Lock Nuts
28	8-1.25mm x 25mm T-Bolts	2	Left Plastic End Caps
		2	Right Plastic End Caps



**PROCEDURE:**

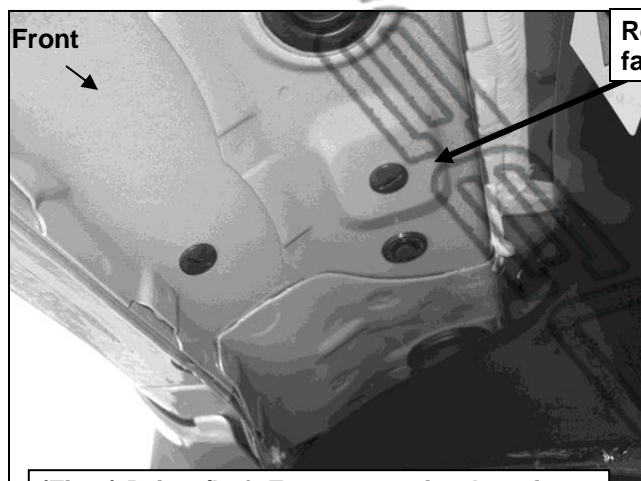
**REMOVE CONTENTS FROM BOX. VERIFY ALL PARTS ARE PRESENT. READ INSTRUCTIONS CAREFULLY. ASSISTANCE IS RECOMMENDED.**

- Starting on the Driver/Left front of the vehicle, remove the plastic plugs, (or hex bolts), covering the threaded holes in the body panel, **(Figure 1)**. Select the Front Mounting Bracket. Attach the Bracket to the vehicle with (2) 8mm Hex Bolts, (2) 8mm Lock Washers and (2) 8mm Flat Washers, **(Figure 2)**. Do not tighten hardware at this time.
- Move along the body panel to the center mounting location. Select (1) Center/Rear Mounting Bracket. Repeat **Step 1** to install the Mounting Bracket, **(Figures 3 & 4)**. Do not tighten hardware.
- Continue to the last mounting location at the back of the cab, **(Figure 5)**. Select the remaining (1) Center/Rear Mounting Bracket. Repeat **Step 2** to attach the Bracket to the rear mounting location. Do not tighten hardware.
- Select the Universal Mounting Tube. Select (6) 8mm T-bolts. Insert the T-bolts into the rear and bottom channels of the Universal Mounting Tube, **(Figure 6)**. Guide the T-bolts to the general position of the Mounting Brackets.
- Take (8) 8mm T-bolts. Insert the T-bolts into the front channels of the Universal Mounting Tube **(Figure 7)**. Each front channel should have (4) T-bolts, which corresponds to the holes on the DS5 Drop Steps.
- Attach the DS5 Drop Steps to the Universal Mounting Tube. Each DS5 Drop Step uses (2) 8mm Plate Washers and (4) 8mm Nylon Lock Nuts, **(Figure 8—9)**. Do not tighten hardware. While the hardware is not tightened, the Drop Steps will slide along the length of the channels.
- Take (2) Plastic End Caps. Insert the correctly oriented Plastic End Caps onto the ends of the Universal Mounting Tube, **(Figure 10)**. It is recommended to secure one end and to use a rubber mallet to carefully tap the Plastic End Caps into place on the other end. Inspect the installed Plastic End Caps to see if they are facing the correct direction.

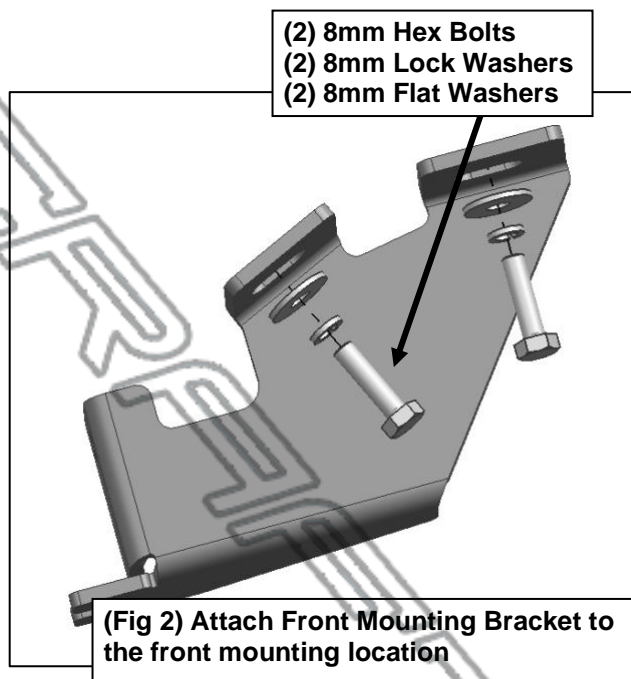
8. Attach the Universal Mounting Tube to the Mounting Brackets. Each Mounting Bracket uses (2) 8mm Flat Washers, (2) 8mm Lock Washers and (2) 8mm Hex Nuts, **(Figure 11—14)**. Do not tighten hardware.
9. Level and adjust the Universal Mounting Tube and tighten all hardware.
10. Adjust the DS5 Drop Steps by sliding them to the desired positions. Tighten all hardware to secure the Drop Steps in place.
11. Repeat **Steps 1—10** to attach the other Running Board.
12. Do periodic inspections to the installation to make sure that all hardware is secure and tight.

**To protect your investment**, Do not use any type of polish or wax that may contain abrasives that could damage the finish. Use only mild soap to clean the Running Boards.

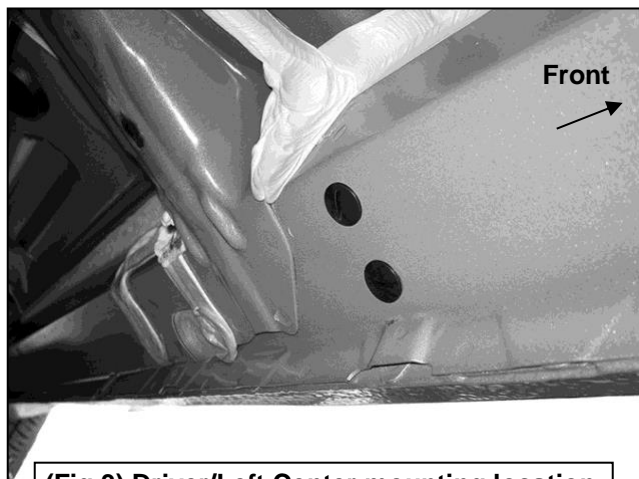
### Driver Side Installation Pictured



**(Fig 1) Driver/Left Front mounting location**



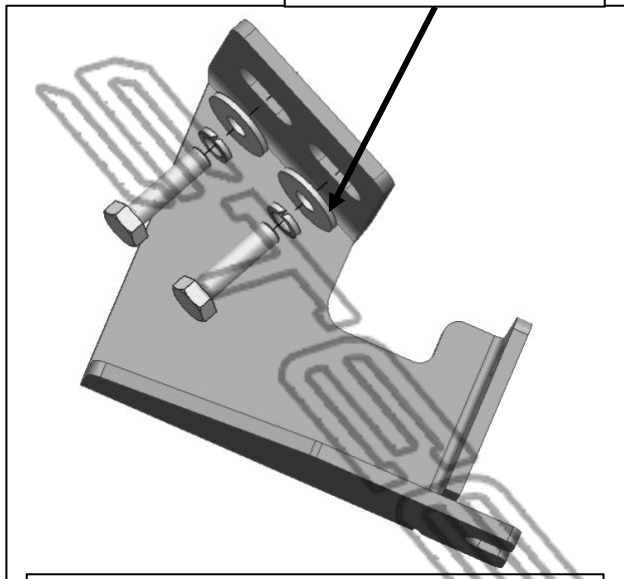
**(Fig 2) Attach Front Mounting Bracket to the front mounting location**



**(Fig 3) Driver/Left Center mounting location**

### Driver Side Installation Pictured

- (2) 8mm Hex Bolts
- (2) 8mm Lock Washers
- (2) 8mm Flat Washers



(Fig 4) Attach Center/Rear Mounting Brackets to the center and rear mounting locations

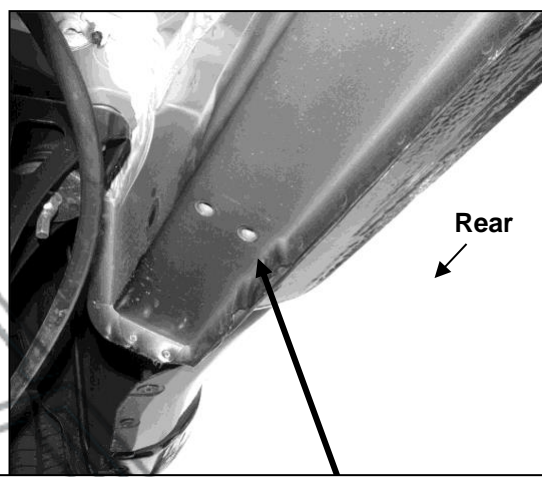
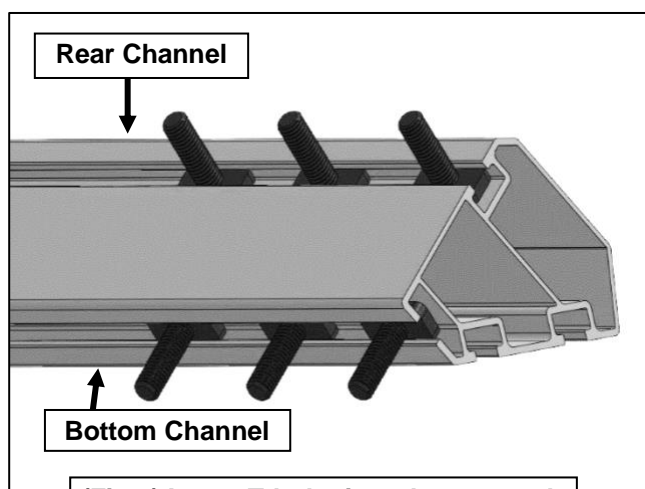
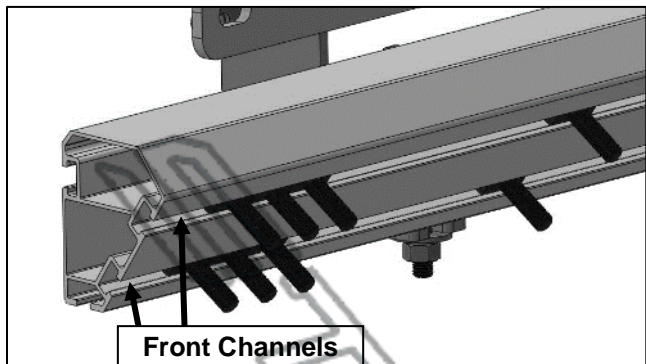


Fig 5) Driver/Left Rear mounting location

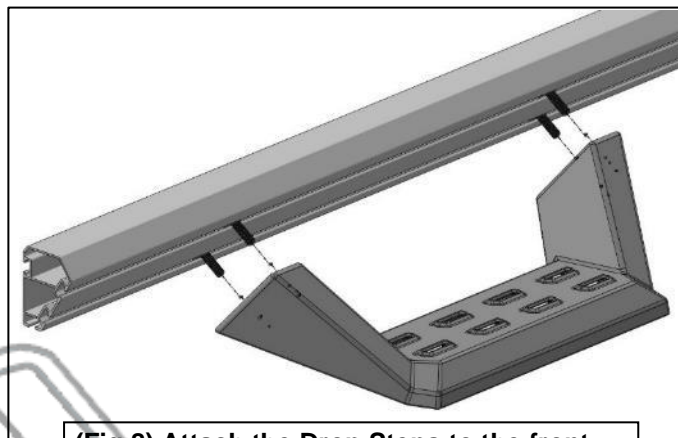


(Fig 6) Insert T-bolts into the rear and bottom channels on the universal mounting tube.

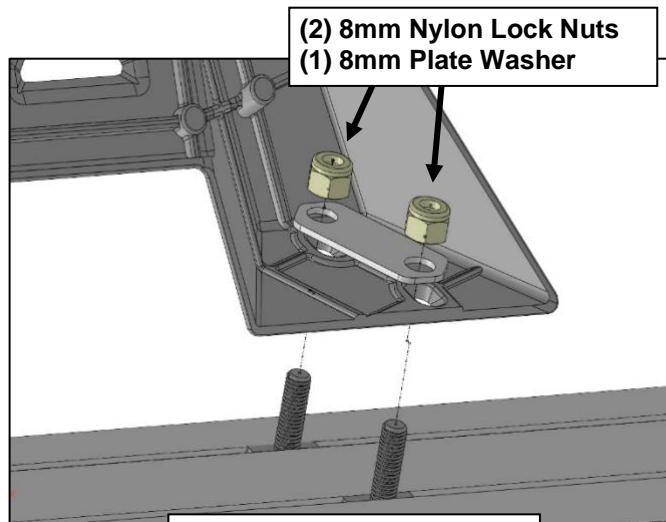
### Driver Side Installation Pictured



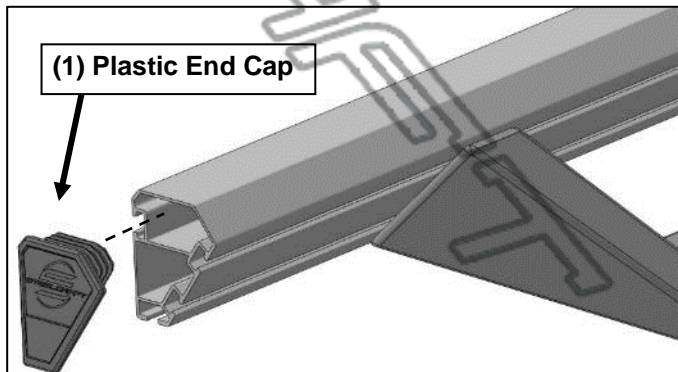
(Fig 7) Insert T-bolts into the Front channels on the universal mounting tube.



(Fig 8) Attach the Drop Steps to the front channels of the Universal Mounting Tube.



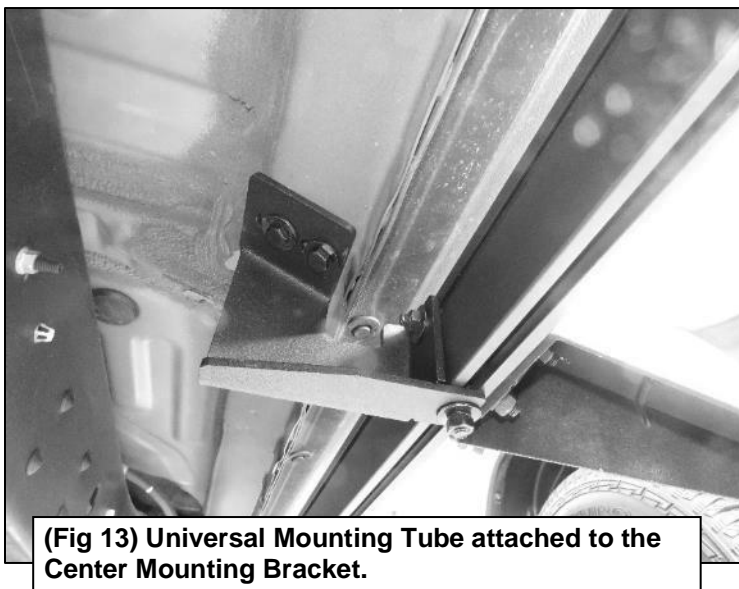
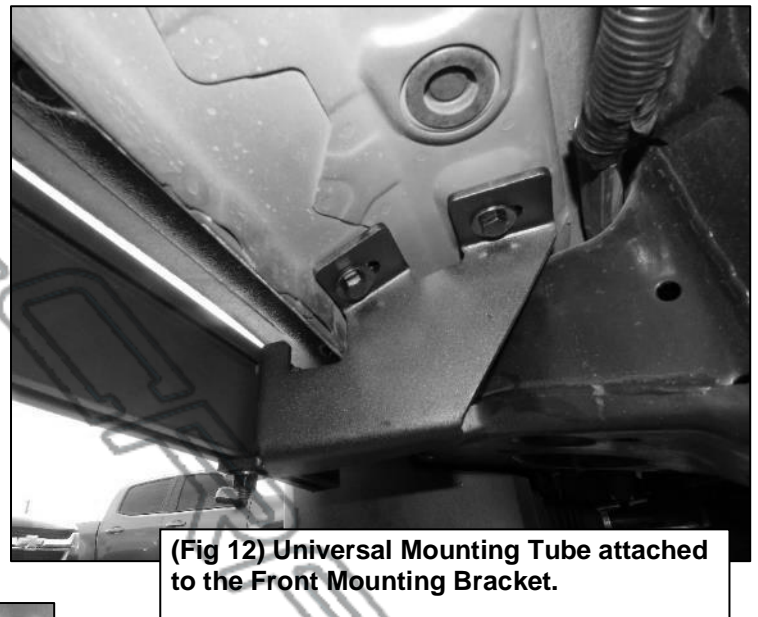
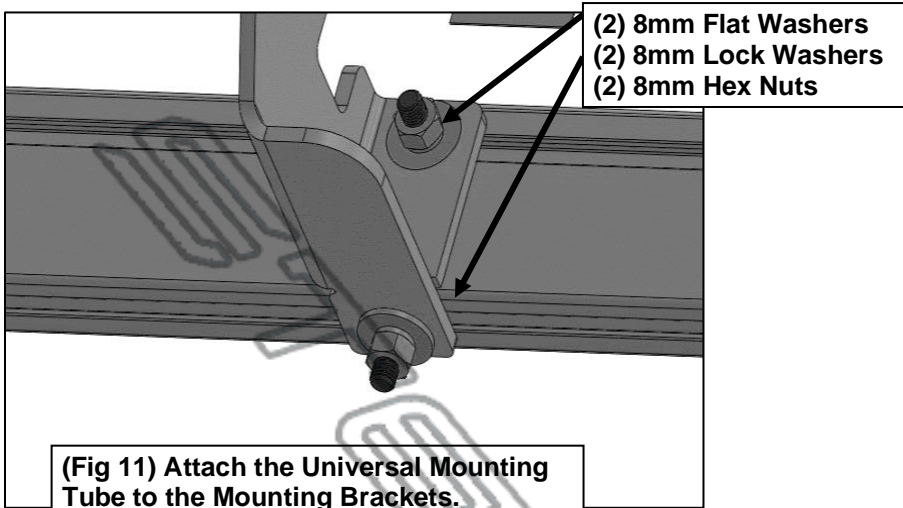
(Fig 9) Attach the Drop Steps to the 8mm T-bolts.



(Fig 10) Attach the Plastic End Cap to the end of the Universal Mounting Tube.



### Driver Side Installation Pictured



### Driver Side Installation Pictured



**(Fig 14) Universal Mounting Tube attached to the Rear Mounting Bracket.**