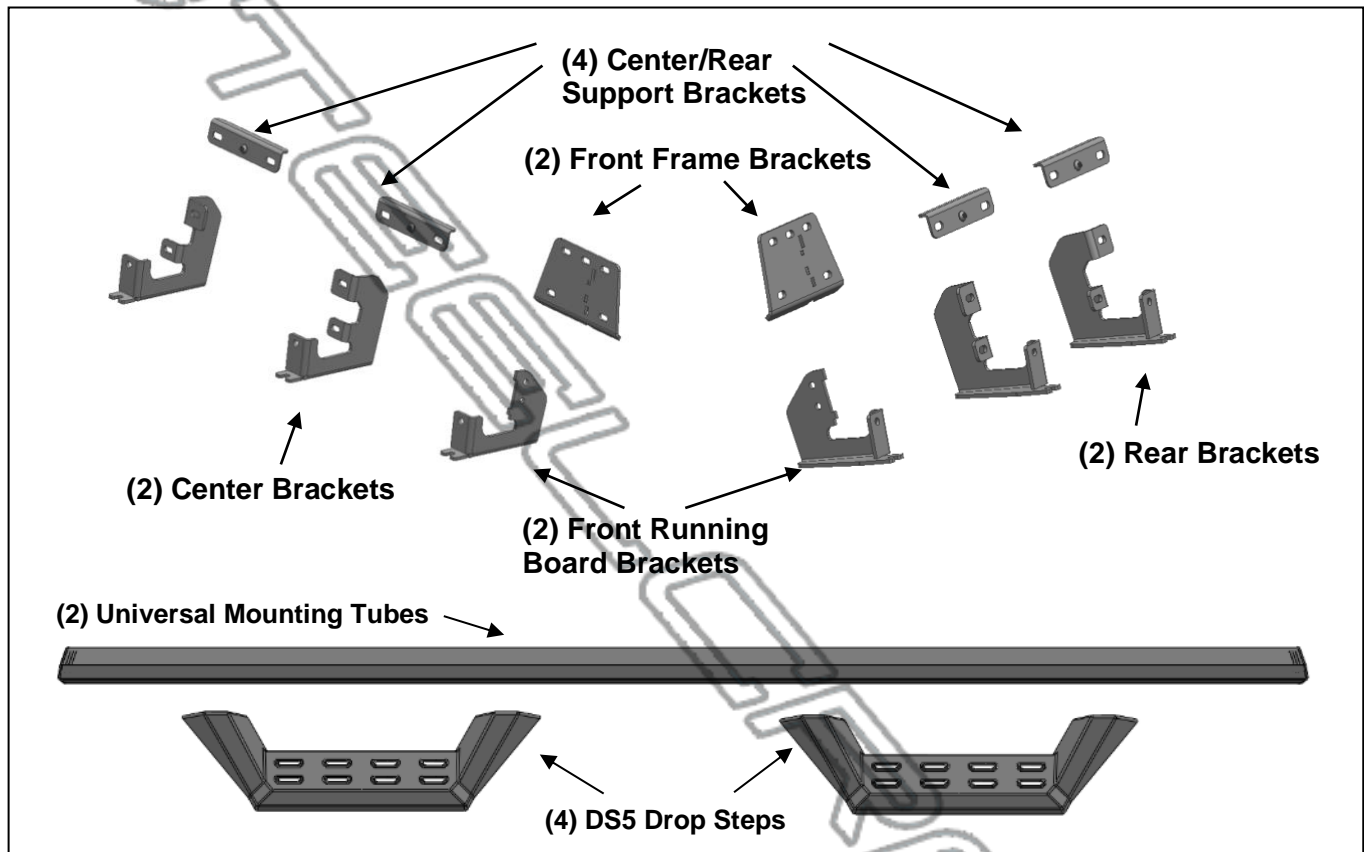


PARTS LIST:

2	Universal Mounting Tubes (85"	28	8-1.25mm x 25mm T-Bolts
4	DS5 Drop Steps	4	8-1.25mm x 25mm Hex Bolts
2	Front Frame Brackets	34	8mm x 24mm x 2mm Flat Washers
2	Front Running Board Brackets	8	8mm x 16mm x 1.6mm Flat Washers
2	Center Mounting Brackets	12	8mm Lock Washers
2	Rear Mounting Brackets	12	8-1.25mm Hex Nuts
4	Center/Rear Support Brackets	42	8-1.25mm Nylon Lock Nuts
8	Plate Washers	2	Left Plastic End Caps
		2	Right Plastic End Caps



PROCEDURE:

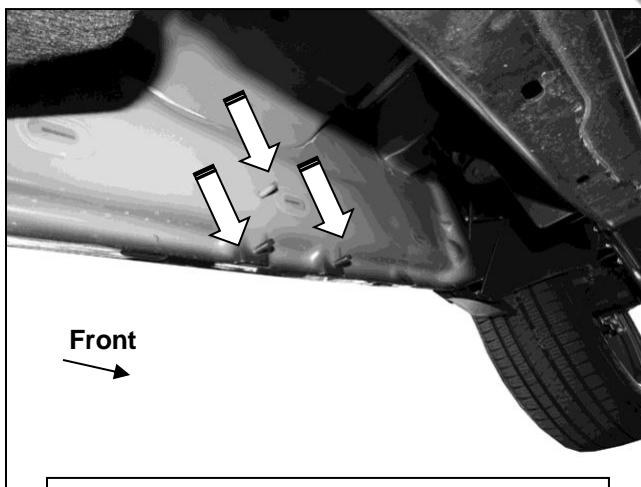
REMOVE CONTENTS FROM BOX. VERIFY ALL PARTS ARE PRESENT. READ INSTRUCTIONS CAREFULLY. ASSISTANCE IS RECOMMENDED.

1. Start the installation under the Driver/Left side of the vehicle. Locate the front (3) factory studs along the inner side of the body panel, **(Figure 1)**.
2. Select (1) Front Mounting Bracket. Attach the Mounting Bracket to the (3) factory studs with (3) 8mm Flat Washers and (3) 8mm Nylon Lock Nuts, **(Figure 2)**. Leave hardware loose at this time.
3. Next, attach (2) 8mm Nylon Lock Nuts, (4) 8mm Flat Washers, and (2) 8mm Hex Bolts to the welded plate on the back of the Front Frame Bracket, **(Figure 3)**.
4. Locate the center (3) factory studs along the inner side of the body panel, **(Figure 4)**.
5. Select (1) Center/Rear Support Bracket. Attach the Support Bracket to the (2) factory studs with (2) 8mm Flat Washers and (2) 8mm Nylon Lock Nuts, **(Figure 5)**.
6. Then attach (1) Center Mounting Bracket to the upper factory mounting stud and support bracket with (2) 8mm Flat Washers and (2) 8mm Nylon Lock Nuts, **(Figure 6)**.
7. Repeat **Steps 4—6** to attach the remaining (1) Center/Rear Support Bracket and (1) Rear Mounting Bracket to the rear mounting locations along the body panel, **(Figures 4 — 7)**.

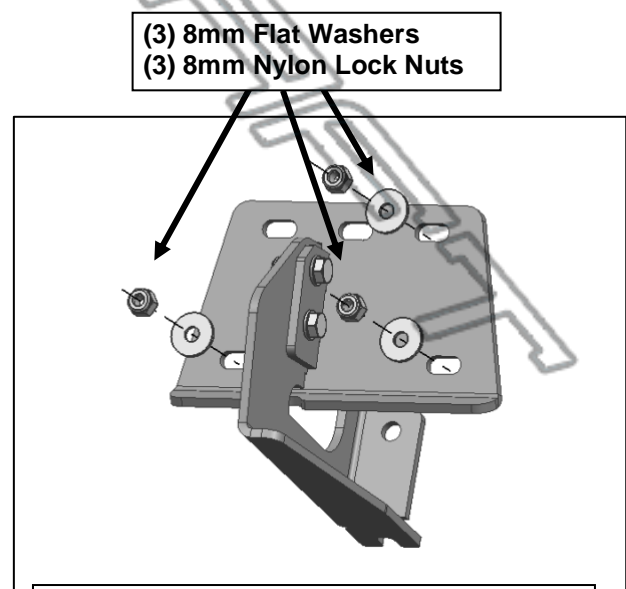
8. Select the Universal Mounting Tube. Select (6) 8mm T-bolts. Insert the T-bolts into the rear and bottom channels of the Universal Mounting Tube, **(Figure 8)**. Guide the T-bolts to the general position of the Mounting Brackets.
9. Take (8) 8mm T-bolts. Insert the T-bolts into the front channels of the Universal Mounting Tube **(Figure 9)**. Each front channel should have (4) T-bolts, which corresponds to the holes on the DS5 Drop Steps.
10. Attach the DS5 Drop Steps to the Universal Mounting Tube. Each DS5 Drop Step uses (2) 8mm Plate Washers and (4) 8mm Nylon Lock Nuts, **(Figure 10 & 11)**. Do not tighten hardware. While the hardware is not tightened, the Drop Steps will slide along the length of the channels.
11. Take (2) Plastic End Caps. Insert the correctly oriented Plastic End Caps onto the ends of the Universal Mounting Tube, **(Figure 12)**. It is recommended to secure one end and to use a rubber mallet to carefully tap the Plastic End Caps into place on the other end. Inspect the installed Plastic End Caps to see if they are facing the correct direction.
12. Attach the Universal Mounting Tube to the Mounting Brackets. Each Mounting Bracket uses (2) 8mm Flat Washers, (2) 8mm Lock Washers and (2) 8mm Hex Nuts, **(Figure 13—15)**. Do not tighten hardware.
13. Level and adjust the Universal Mounting Tube and tighten all hardware.
14. Adjust the DS5 Drop Steps by sliding them to the desired positions. Tighten all hardware to secure the Drop Steps in place.
15. Repeat **Steps 1—12** to attach the other Running Board.
16. Do periodic inspections to the installation to make sure that all hardware is secure and tight.

To protect your investment, Do not use any type of polish or wax that may contain abrasives that could damage the finish. Use only mild soap to clean the Running Boards.

Driver/Left Side Installation Pictured

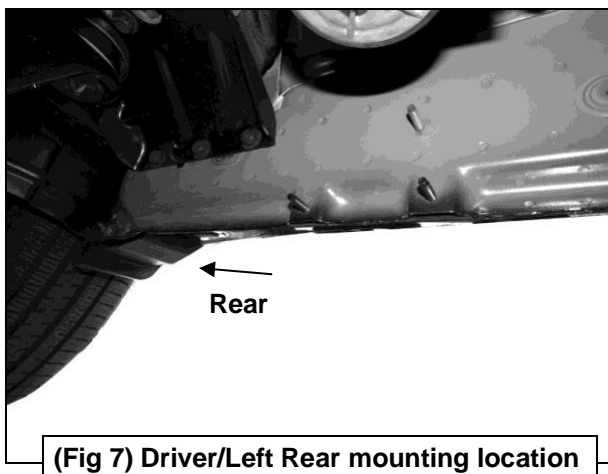
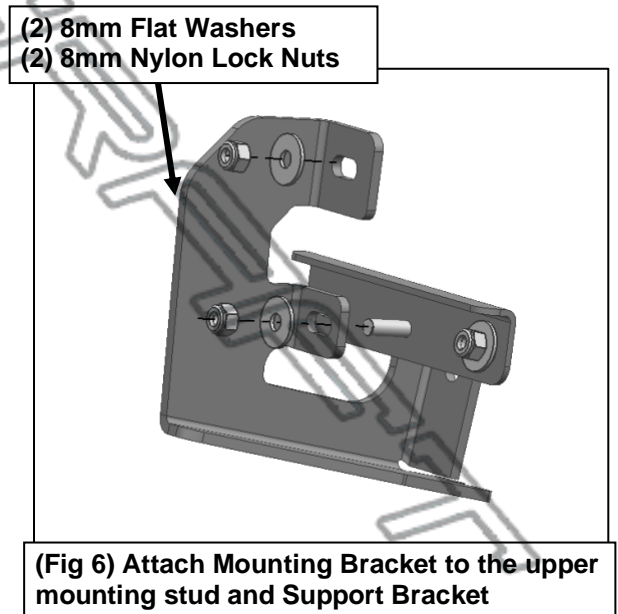
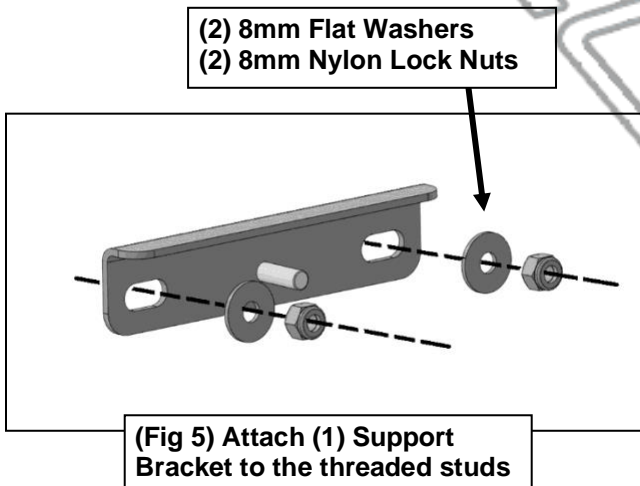
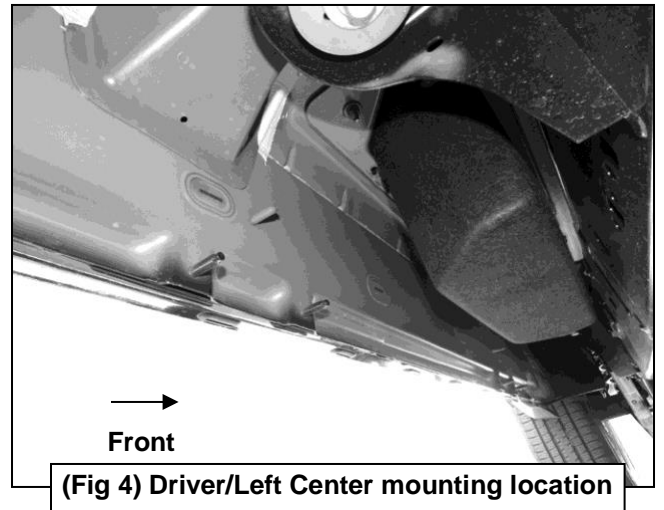
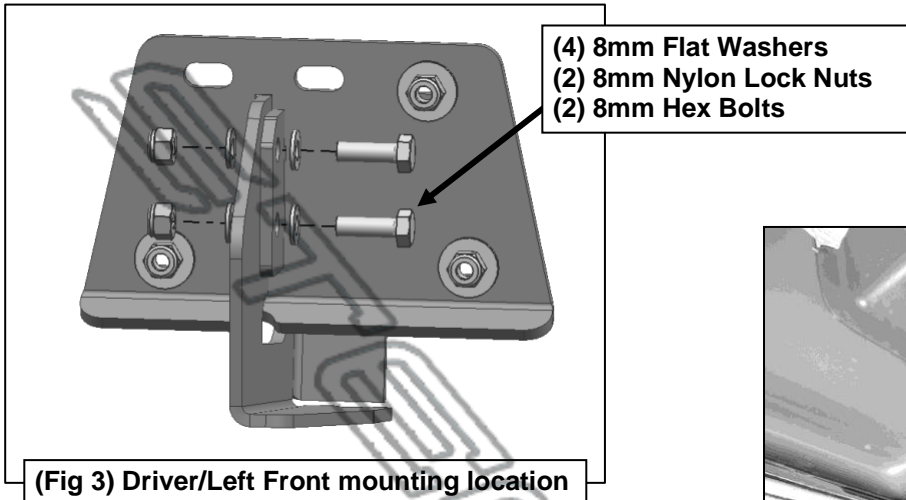


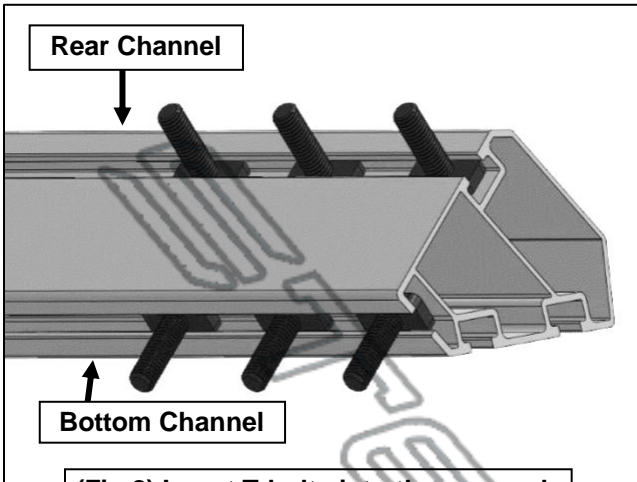
(Fig 1) Driver/Left Front mounting location



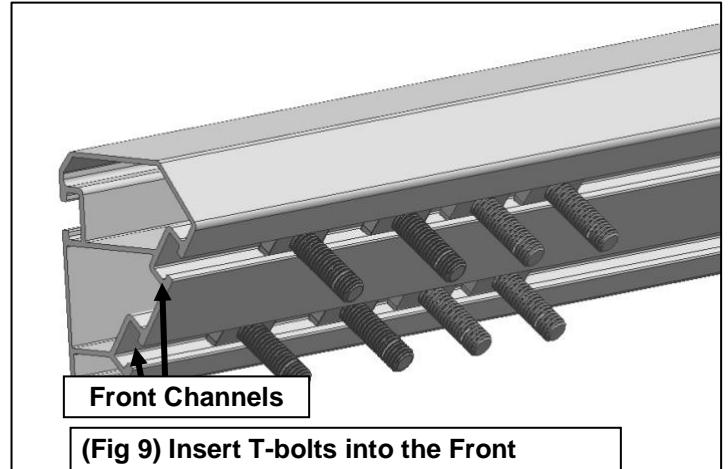
(Fig 2) Driver/Left Front mounting location

Driver/Left Side Installation Pictured

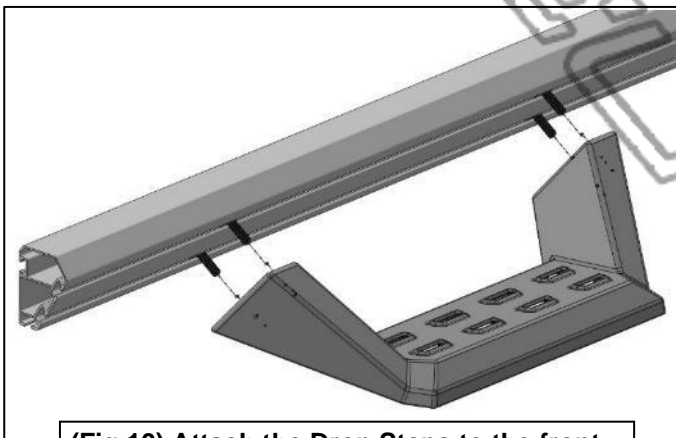




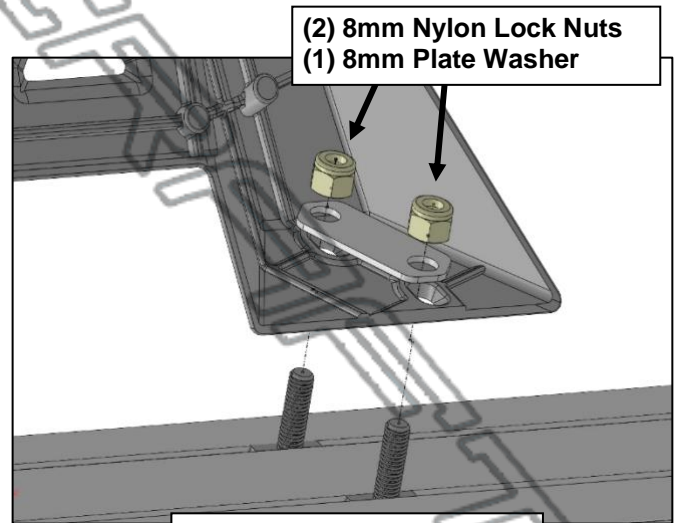
(Fig 8) Insert T-bolts into the rear and bottom channels on the universal mounting tube.



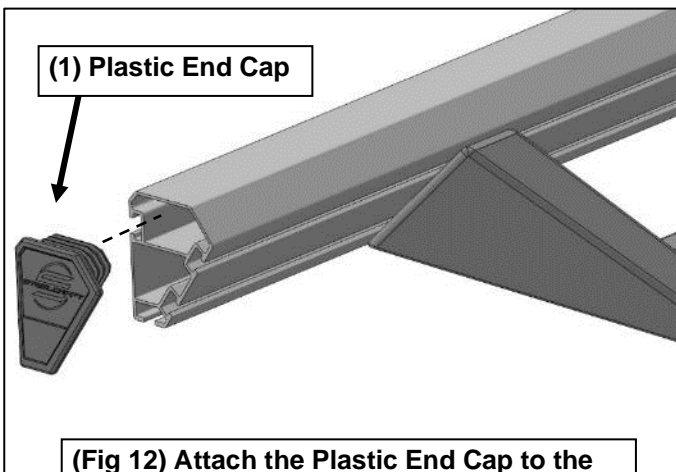
(Fig 9) Insert T-bolts into the Front channels on the universal mounting tube.



(Fig 10) Attach the Drop Steps to the front channels of the Universal Mounting Tube.

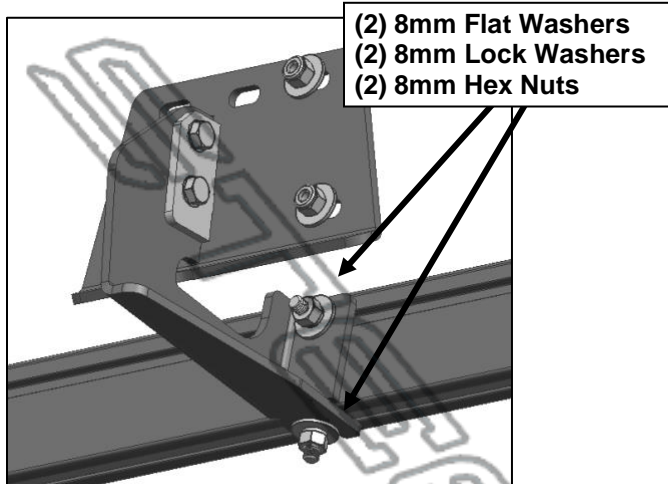


(Fig 11) Attach the Drop Steps to the 8mm T-bolts.

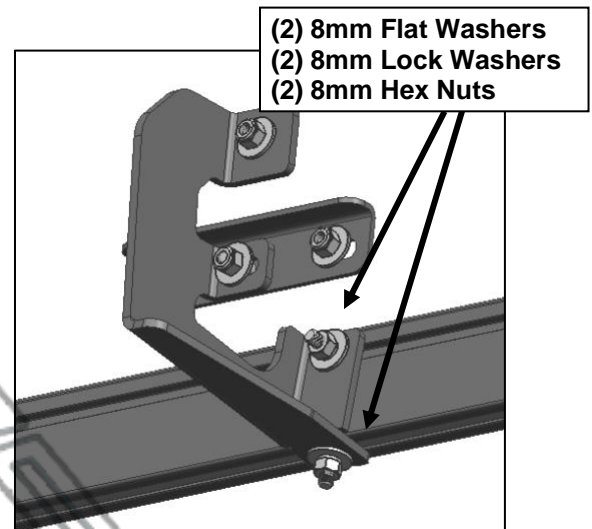


(Fig 12) Attach the Plastic End Cap to the end of the Universal Mounting Tube.

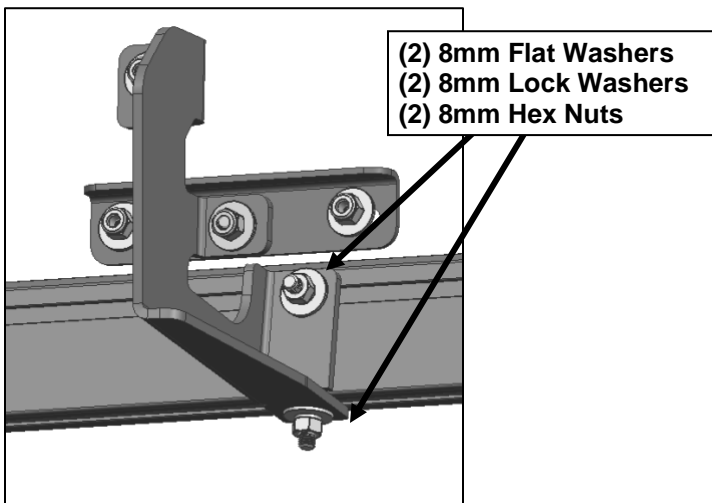
Driver/Left Side Installation Pictured



(Fig 13) Attach the Universal Mounting Tube to the Front Mounting Brackets.



(Fig 14) Attach the Universal Mounting Tube to the Center Mounting Brackets.



(Fig 15) Attach the Universal Mounting Tube to the Rear Mounting Brackets.