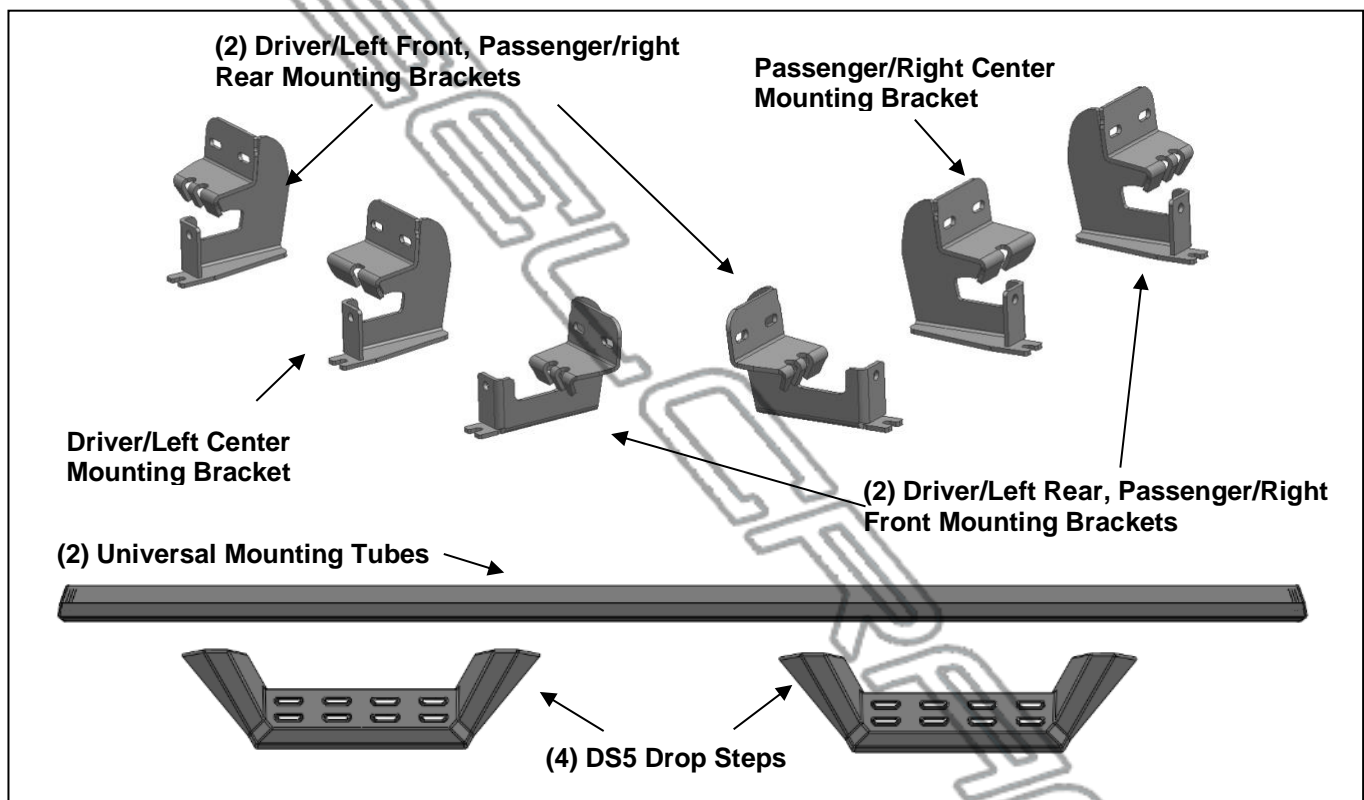


PARTS LIST:

2	Universal Mounting Tubes (78"	6	8mm Plastic Retainers
4	DS5 Drop Steps	28	8-1.25mm x 25mm T-Bolts
2	Driver/Left Front, Passenger/right Rear Mounting Brackets	12	8-1.25mm x30mm Hex Bolts
2	Driver/Left Rear, Passenger/Right Front Mounting Brackets	24	8mm x 24mm x 2mm Flat Washers
1	Driver/Left Center Mounting Bracket	24	8mm Lock Washers
1	Passenger/Right Center Mounting Bracket	18	8-1.25mm Hex Nuts
8	Plate Washers	16	8-1.25mm Nylon Lock Nuts
2	Left Plastic End Caps	10	6mm-1.00mm x 25mm Button Head Allen Bolt
2	Right Plastic End Caps	20	6mm x 18mm x 1.6mm Flat Washers
2	16mm x 60mm Spacer Plates	10	6mm-1.00mm Flange Nuts
4	16mm x 34mm Spacer Plates	1	Allen Wrench
6	8-1.25mm x 30mm Bolt/nut Plates		



PROCEDURE:

REMOVE CONTENTS FROM BOX. VERIFY ALL PARTS ARE PRESENT. READ INSTRUCTIONS CAREFULLY. ASSISTANCE IS RECOMMENDED.

1. Starting at the passenger side-front of the vehicle, remove the sealing tape covering the factory holes in the side of the inner panel, **(Figure 1)**.
2. Determine the correct procedure to attach the driver side front Bracket for your model/year:

Models without factory threaded inserts in body panel:

- a. Select (1) 8mm Bolt/nut Plate, **(Figure 2)**. Partially thread an 8mm Hex Bolt onto the threaded of the Nut Plate, **(Figure 3)**. Thread the Hex Bolt in until it is flush with the welded nut. Use the Hex Bolt as a handle and insert the Bolt and Nut Plate into the oval hole, **(Figure 4)**. Feed the threaded bolt on the Bolt Plate through one of the hex shaped factory holes.

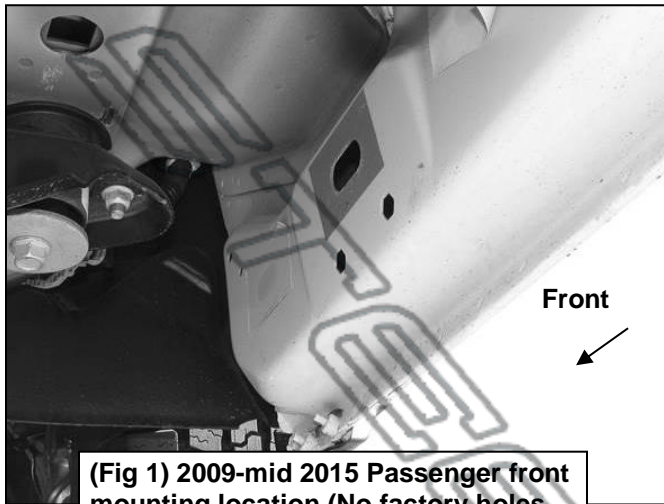
- b. Thread (1) 8mm Plastic Retainer onto the threaded end and down tight against the body panel, **(Figure 5)**. **NOTE:** The Plastic Retainer is designed to keep the Bolt/Nut Plate from falling into the body panel and to aid in Bracket installation.
- c. Select the Passenger/right Front Bracket, **(Figure 6)**. Attach the Bracket to the threaded end of the Bolt Plate with (1) 8mm Flat Washer, (1) 8mm Lock washer and (1) 8mm Hex Nut, **(Figure 7)**. **IMPORTANT:** Passenger/right Front Bracket is the same as the Driver/left Center and Rear Brackets. Do not tighten hardware at this time.
- d. Remove the 8mm Hex Bolt from the nut on the Bolt Plate from **Step 3a**. Rotate the Bolt on the Bolt Plate until the threaded nut lines up with the remaining hole in the Mounting Bracket and body panel, **(Figure 7)**. Attach the Bracket to the threaded Nut Plate with (1) 8mm x 30mm Hex Bolt, (1) 8mm Lock Washer and (1) 8mm Flat Washer, **(Figure 7)**. Do not tighten hardware.

Models with factory threaded inserts:

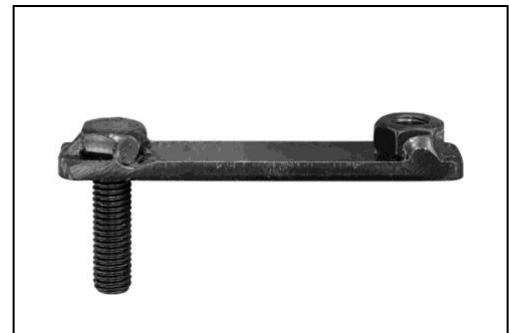
- a. Attach the Passenger/right Front Bracket to the threaded inserts with (2) 8mm x 30mm Hex Bolts, (2) 8mm Lock Washers and (2) 8mm Flat Washer, **(Figures 8 & 9)**. Leave hardware loose at this time.
3. Next, attach the Bracket to the back of the pinch weld with (2) 6mm Button Head Bolts, (4) 6mm Flat Washers, (1) 16mm x 60mm Spacer Plate and (2) 6mm Flange Nuts, **(Figure 10)**. Do not fully tighten hardware at this time. **IMPORTANT:** 2009-12 models not equipped with factory holes will require drilling through the pinch weld to fully attach Bracket. Do not drill through pinch weld at this time, **(see Step 12)**.
4. Move along the side of the body panel to the center mounting location, **(Figure 11)**. Repeat the appropriate **Steps 1—3** to install the Passenger/Right Center Bracket. **IMPORTANT:** The Center Mounting Bracket will use the 16mm x 34mm Spacer Plate.
5. Move to the rear location, **(Figure 12)**. Repeat **Step 5** to install the Rear Mounting Bracket. Leave hardware loose.
6. Select the Universal Mounting Tube. Select (6) 8mm T-bolts. Insert the T-bolts into the rear and bottom channels of the Universal Mounting Tube, **(Figure 13)**. Guide the T-bolts to the general position of the Mounting Brackets.
7. Take (8) 8mm T-bolts. Insert the T-bolts into the front channels of the Universal Mounting Tube **(Figure 14)**. Each front channel should have (4) T-bolts, which corresponds to the holes on the DS5 Drop Steps.
8. Attach the DS5 Drop Steps to the Universal Mounting Tube. Each DS5 Drop Step uses (2) 8mm Plate Washers and (4) 8mm Nylon Lock Nuts, **(Figure 15—16)**. Do not tighten hardware. While the hardware is not tightened, the Drop Steps will slide along the length of the channels.
9. Take (2) Plastic End Caps. Insert the correctly oriented Plastic End Caps onto the ends of the Universal Mounting Tube, **(Figure 17)**. It is recommended to secure one end and to use a rubber mallet to carefully tap the Plastic End Caps into place on the other end. Inspect the installed Plastic End Caps to see if they are facing the correct direction.
10. Attach the Universal Mounting Tube to the Mounting Brackets. Each Mounting Bracket uses (2) 8mm Flat Washers, (2) 8mm Lock Washers and (2) 8mm Hex Nuts, **(Figure 18)**. Do not tighten hardware.
11. Level and adjust the Universal Mounting Tube and tighten all hardware.
12. Adjust the DS5 Drop Steps by sliding them to the desired positions. Tighten all hardware to secure the Drop Steps in place.
 - 2009-12 models requiring drilling through pinch trim:**
 - a. Level the Sidebar to the vehicle. Make sure all (3) Brackets are tight against the bottom of the body panel and tighten all mounting hardware.
 - b. Mark the location of the slots onto the pinch weld.
 - c. Drill (2) 1/4" holes through the pinch weld for each Bracket. **IMPORTANT:** Do not drill too close to the bottom edge of the pinch weld. Drill the holes in the center of the marked slots.
 - d. Repeat **Step 3** to attach the Brackets to the drilled holes in the pinch weld. Check for level then fully tighten all hardware.
13. Repeat **Steps 1—12** to attach the other Running Board.
14. Do periodic inspections to the installation to make sure that all hardware is secure and tight.

To protect your investment, Do not use any type of polish or wax that may contain abrasives that could damage the finish. Use only mild soap to clean the Running Boards.

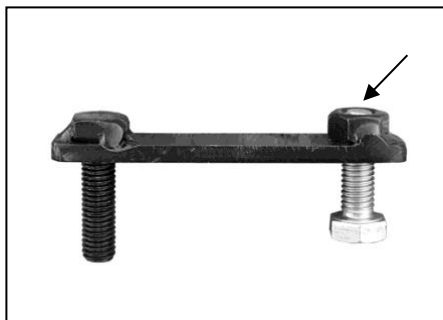
Passenger Side Installation Pictured



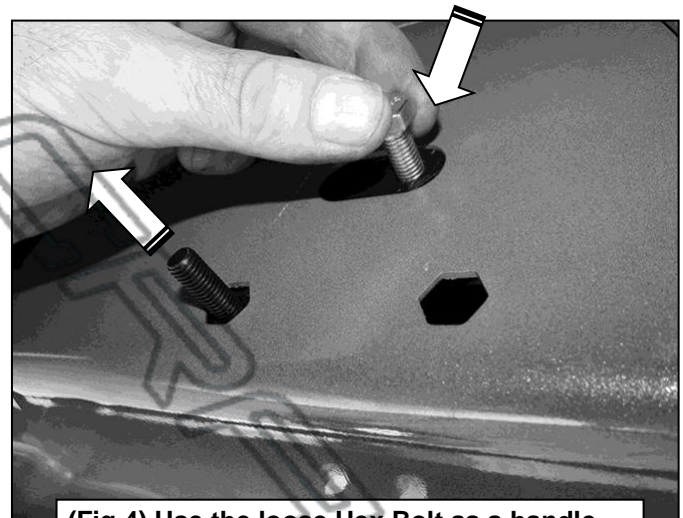
(Fig 1) 2009-mid 2015 Passenger front mounting location (No factory holes in pinch weld 2009-2012 models)



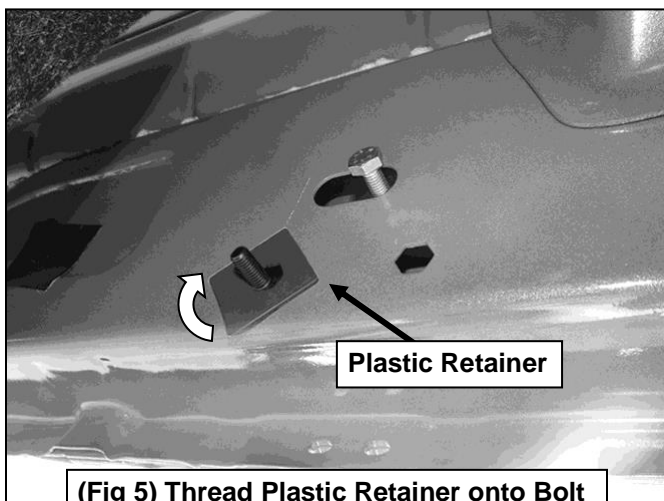
(Fig 2) 8mm Bolt-8mm Nut Plate, NOTE: 8mm Bolt-Nut Plate is not required on models with threaded inserts



(Fig 3) Thread (1) 8mm Hex Bolt into the nut on the plate. Stop when bolt reaches end of nut as pictured

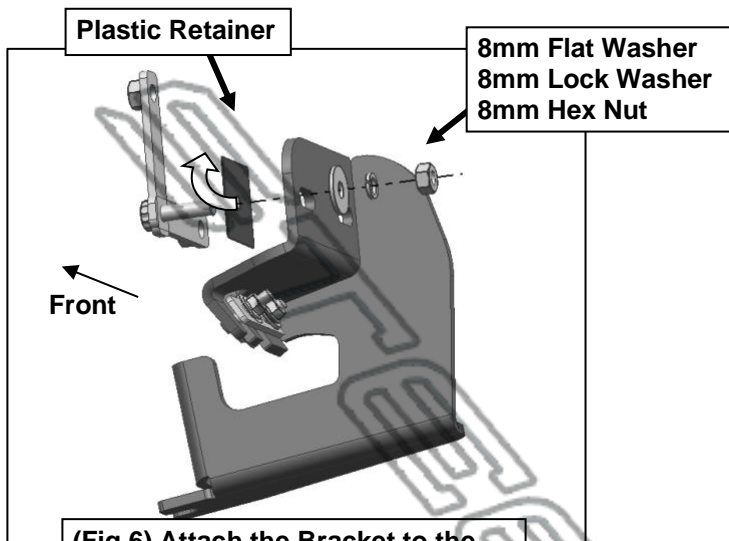


(Fig 4) Use the loose Hex Bolt as a handle. Insert the Bolt Plate into the oval hole and feed the threaded end out either factory hex shaped hole. IMPORTANT: Do not let go of the hex bolt until after Plastic Retainer has been threaded onto bolt (Fig 5)

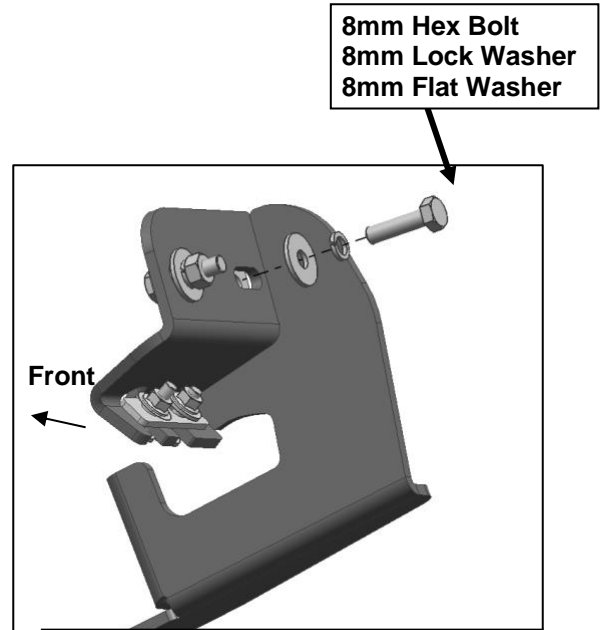


(Fig 5) Thread Plastic Retainer onto Bolt Plate to hold Bolt Plate in position.

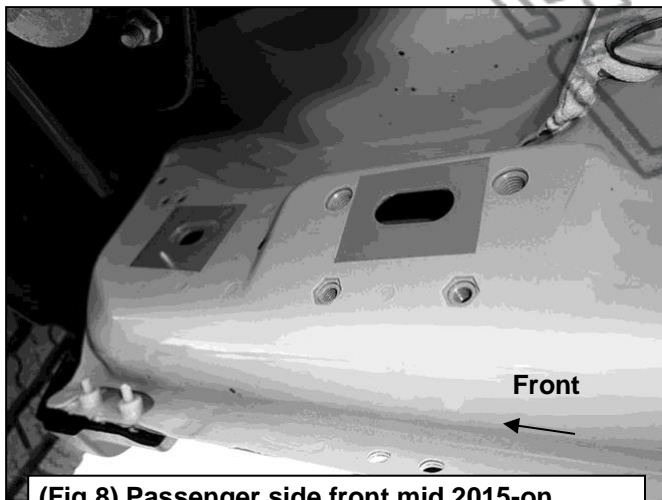
Passenger Side Installation Pictured



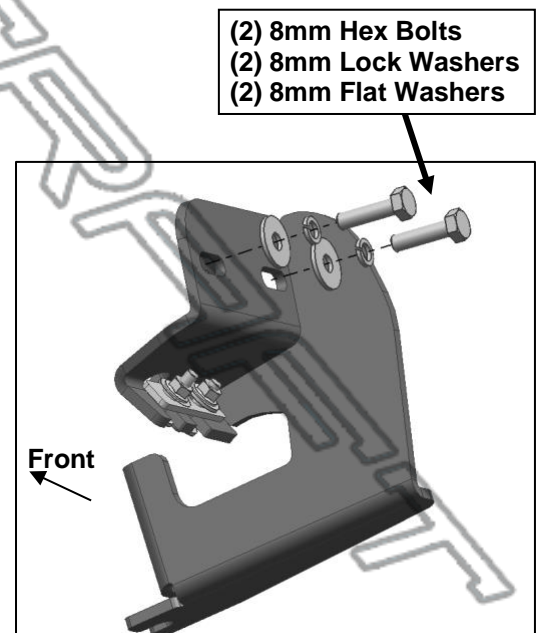
(Fig 6) Attach the Bracket to the threaded bolt on the Bolt/Nut Plate



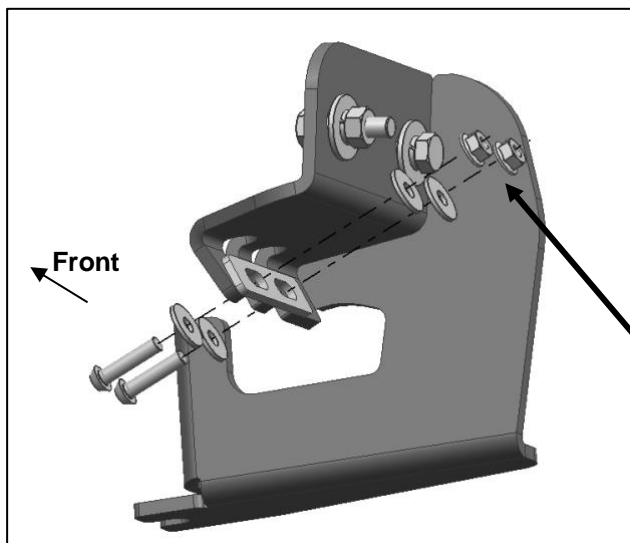
(Fig 7) Attach Bracket to the threaded hole in the Bolt/Nut Plate



(Fig 8) Passenger side front mid 2015-on, models with factory installed threaded inserts



(Fig 9) Passenger/right Front Mounting Bracket illustrated for models with threaded inserts

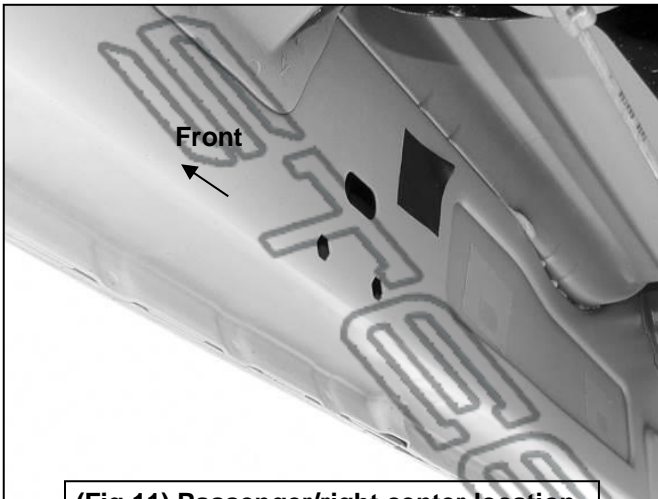


(2) 6mm Button Bolts
(4) 6mm Flat Washers
16mm x 60mm Spacer
(2) 6mm Flange Nuts

**(Fig 10) Attach Bracket to back of pinch weld
(models with factory holes in pinch weld only)**

Passenger Side Installation Pictured

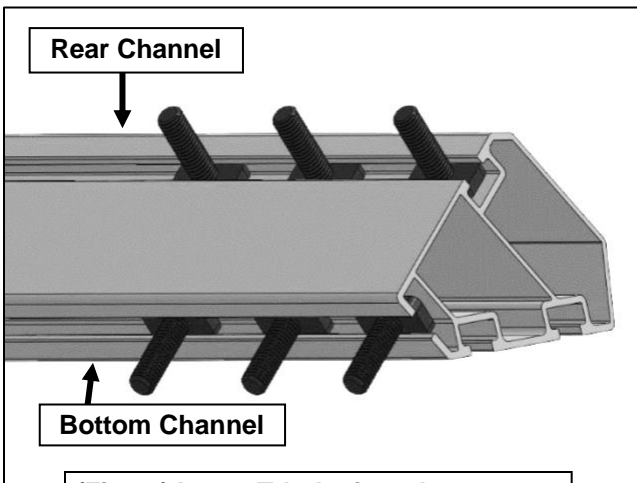
IMPORTANT: 2009-2012 models without holes in pinch weld will require drilling 1/4" holes through pinch weld to attach bracket. Do complete installation of sidebars first, level sidebar before drilling holes for bracket.



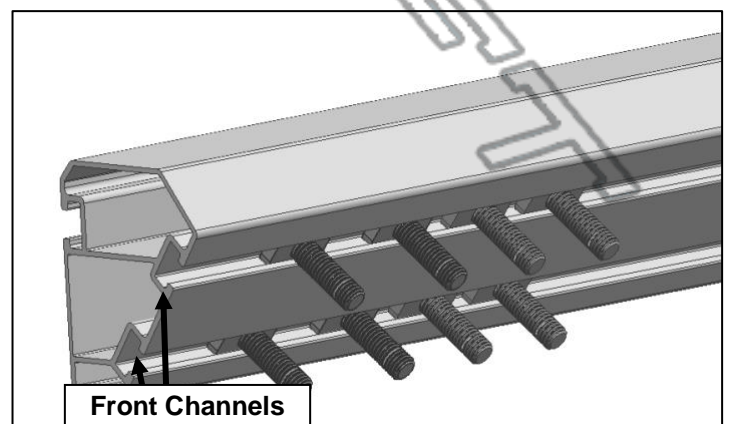
(Fig 11) Passenger/right center location



(Fig 12) Passenger/right rear mounting location

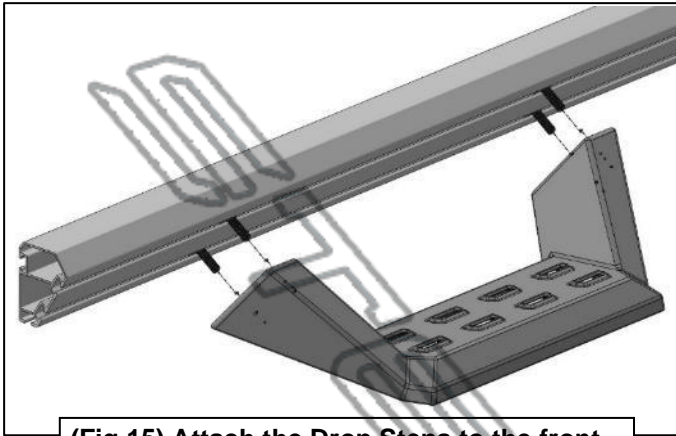


(Fig 13) Insert T-bolts into the rear and bottom channels on the universal mounting tube.

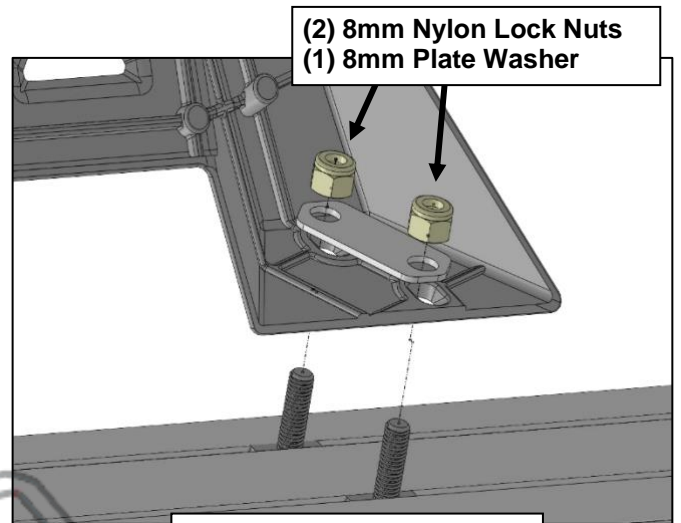


(Fig 14) Insert T-bolts into the Front channels on the universal mounting tube.

Passenger/Right side Installation Pictured

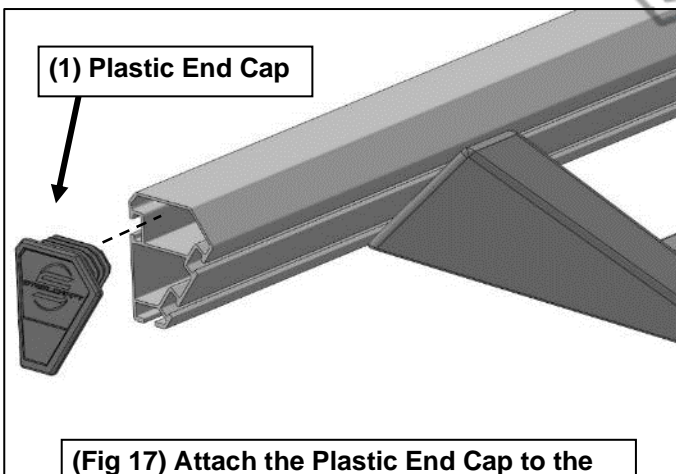


(Fig 15) Attach the Drop Steps to the front channels of the Universal Mounting Tube.



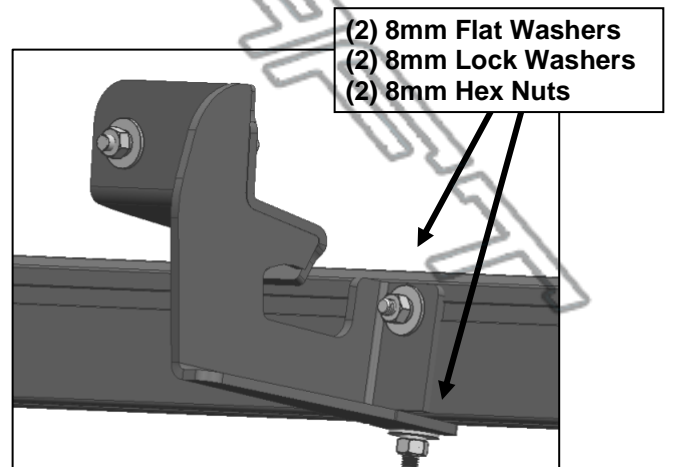
**(2) 8mm Nylon Lock Nuts
(1) 8mm Plate Washer**

(Fig 16) Attach the Drop Steps to the 8mm T-bolts.



(1) Plastic End Cap

(Fig 17) Attach the Plastic End Cap to the end of the Universal Mounting Tube.



**(2) 8mm Flat Washers
(2) 8mm Lock Washers
(2) 8mm Hex Nuts**

(Fig 18) Attach the Universal Mounting Tube to the Front Mounting Brackets.

