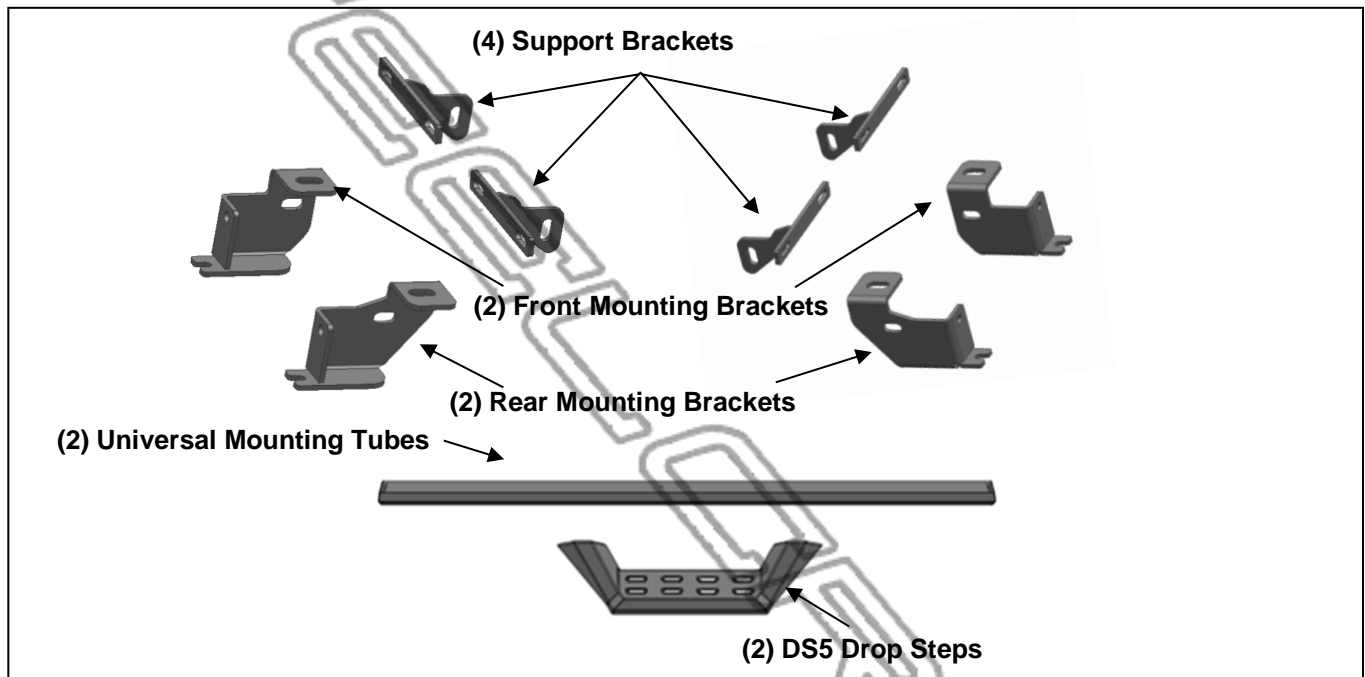


PARTS LIST:

2	Universal Mounting Tubes (53")	4	10mm Lock Washers
2	DS5 Drop Steps	4	10mm x 34mm x 3mm Flat Washers
2	Left Plastic End Caps	8	10mm x 20mm x 2mm Flat Washers
2	Right Plastic End Caps	8	8-1.25mm Nylon Lock Nuts
2	Front Mounting Brackets	4	8-1.25mm x 35mm Hex Bolts
2	Rear Mounting Brackets	8	8-1.25mm Hex Nuts
4	Support Brackets	4	8mm x 28mm x 3mm Flat Washers
4	Spacers	8	8mm x 24mm x 2mm Flat Washers
16	8-1.25 x 25mm T-Bolts	12	8mm Lock Washers
4	Nut Plates	8	6-1.00mm Nylon Lock Nuts
4	10-1.5mm x 35mm Hex Bolts	8	6-1.00mm x 25mm Hex Bolts
4	10-1.5mm x 30mm Hex Bolts	16	6mm x 22mm x 2mm Flat Washers
4	10-1.5mm Nylon Lock Nuts		



PROCEDURE:

REMOVE CONTENTS FROM BOX. VERIFY ALL PARTS ARE PRESENT. READ INSTRUCTIONS CAREFULLY. ASSISTANCE IS RECOMMENDED.

1. Start installation toward the front of the Driver/Left side of the vehicle. Determine if the vehicle has an open floor panel or a threaded hole in the floor panel, **(Figures 1 & 5)**.

Vehicles with open mounting location:

- a. Insert (1) 10mm Nut Plate into the large square opening in the floor panel. Line up the threaded nut with the hole in between the pair of holes on the pinch weld, **(Figures 1A, 1B & 2)**.
- b. Move along to the rear mounting location, **(Figure 3)**. Repeat previous **Step** to insert the Nut Plate into the rear opening on the floor panel.
- c. Select the Front Mounting Bracket. Attach the Bracket to the Nut Plate with (1) 10mm x 35mm Hex Bolt, (1) 10mm Lock Washer and (1) 10mm x 34mm Flat Washer, **(Figure 4)**. Do not tighten hardware.
- d. Repeat previous **Step** to attach the Rear Mounting Bracket.
- e. Continue to **Step 2**.

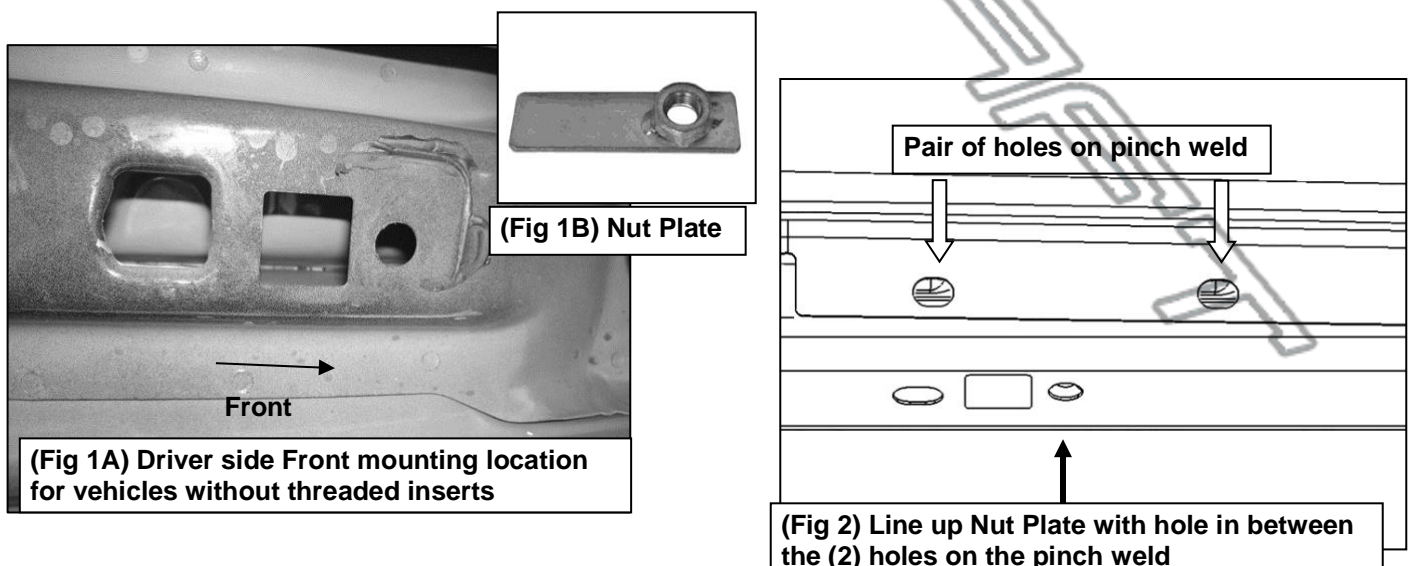
Vehicles with factory threaded hole in floor panel:

- a. Locate the front and rear mounting locations, **(Figures 5 & 7)**.

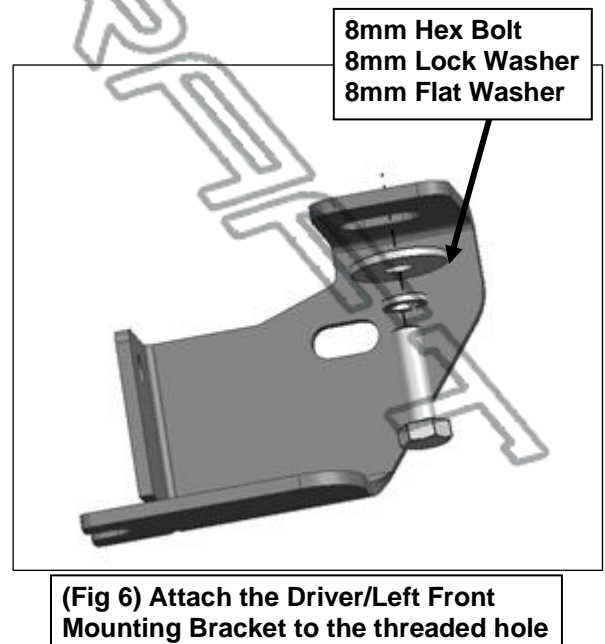
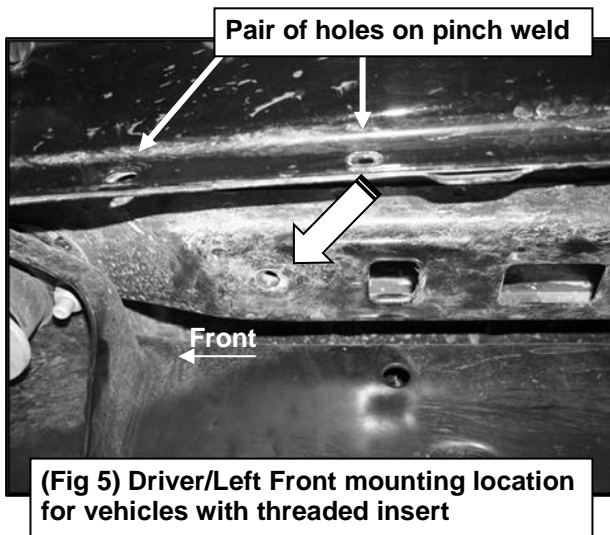
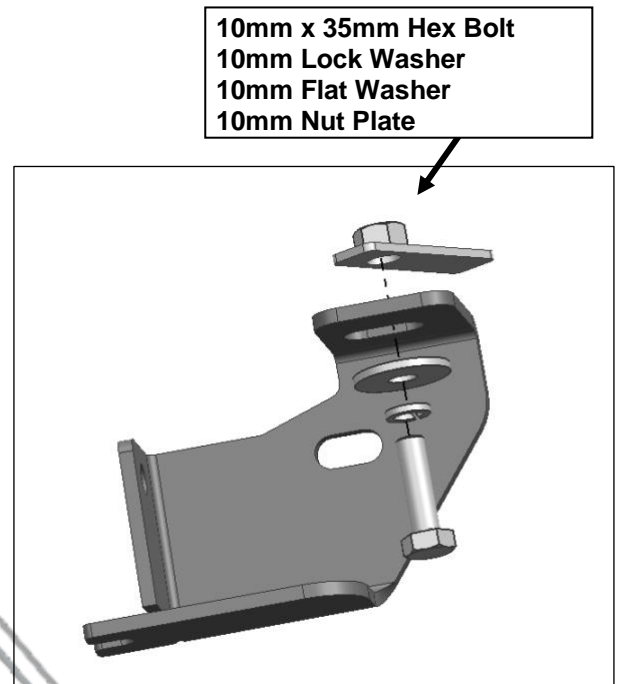
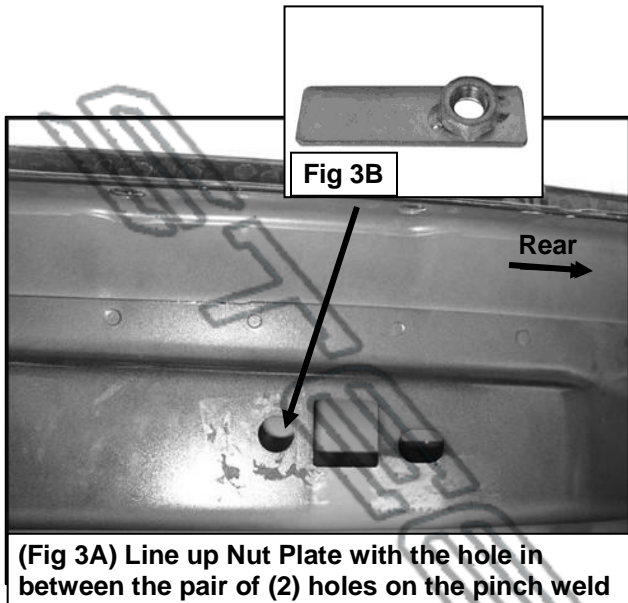
- b. Select (1) Front Mounting Bracket. Attach the Mounting Bracket to the threaded hole with (1) 8mm Hex Bolt, (1) 8mm Lock Washer and (1) 8mm Flat Washer, **(Figure 6)**. Do not tighten hardware.
 - c. Repeat previous **Step** to attach the Rear Mounting Bracket.
 - d. Continue to **Step 2**.
 2. Select (1) Support Bracket. Attach the Support Bracket to the pinch trim with (2) 6mm Hex Bolts, (4) 6mm Flat Washers and (2) 6mm Nylon Lock Nuts, **(Figure 8)**. Attach the Support Bracket to the Mounting Bracket with (1) 10mm x 30mm Hex Bolt, (2) 10mm x 20mm Flat Washers and (1) 10mm Nylon Lock Nut, **(Figure 9)**. Do not tighten hardware.
 3. Repeat **Step 2** to attach the remaining (1) Support Bracket to the rear location.
 4. Select the Universal Mounting Tube. Select (4) 8mm T-bolts. Insert the T-bolts into the rear and bottom channels of the Universal Mounting Tube, **(Figure 10)**. Guide the T-bolts to the general position of the Mounting Brackets.
 5. Take (4) 8mm T-bolts. Insert the T-bolts into the front channels of the Universal Mounting Tube **(Figure 11)**. Each front channel should have (2) T-bolts, which corresponds to the holes on the DS5 Drop Steps.
 6. Attach the DS5 Drop Steps to the Universal Mounting Tube. Each DS5 Drop Step uses (2) 8mm Plate Washers and (4) 8mm Nylon Lock Nuts, **(Figure 12—13)**. Do not tighten hardware. While the hardware is not tightened, the Drop Steps will slide along the length of the channels.
 7. Take (2) Plastic End Caps. Insert the correctly oriented Plastic End Caps onto the ends of the Universal Mounting Tube, **(Figure 14)**. It is recommended to secure one end and to use a rubber mallet to carefully tap the Plastic End Caps into place on the other end. Inspect the installed Plastic End Caps to see if they are facing the correct direction.
 8. Attach the Universal Mounting Tube to the Mounting Brackets. Each Mounting Bracket uses (2) 8mm Flat Washers, (2) 8mm Lock Washers and (2) 8mm Hex Nuts, **(Figure 15)**. Do not tighten hardware.
 9. Level and adjust the Universal Mounting Tube and tighten all hardware.
 10. Adjust the DS5 Drop Steps by sliding them to the desired positions. Tighten all hardware to secure the Drop Steps in place.
 11. Repeat **Steps 1—10** to attach the other Running Board.
 12. Do periodic inspections to the installation to make sure that all hardware is secure and tight.

To protect your investment, Do not use any type of polish or wax that may contain abrasives that could damage the finish. Use only mild soap to clean the Running Boards.

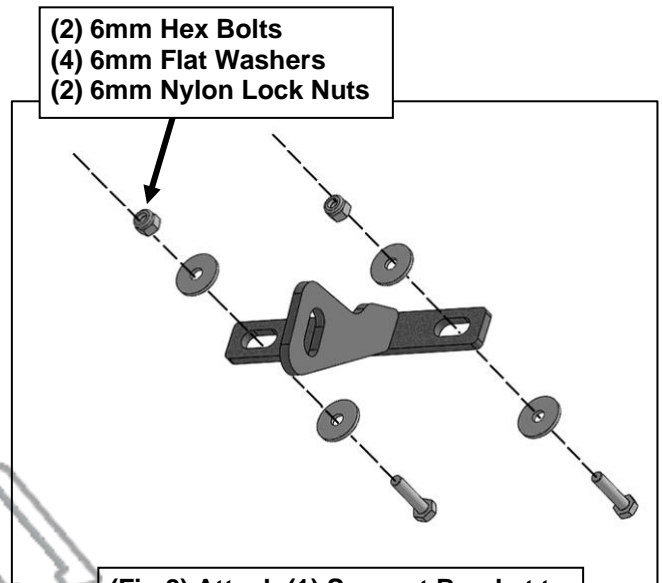
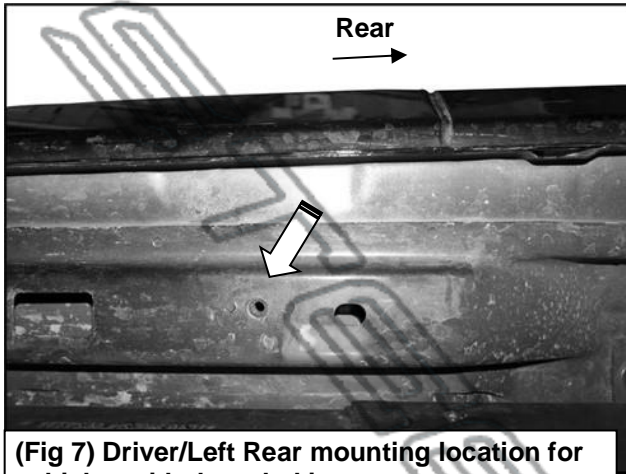
Driver/Left side Installation Pictured



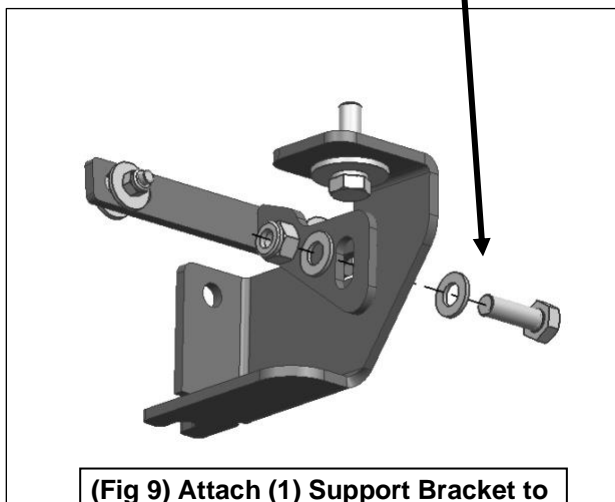
Driver/Left side Installation Pictured



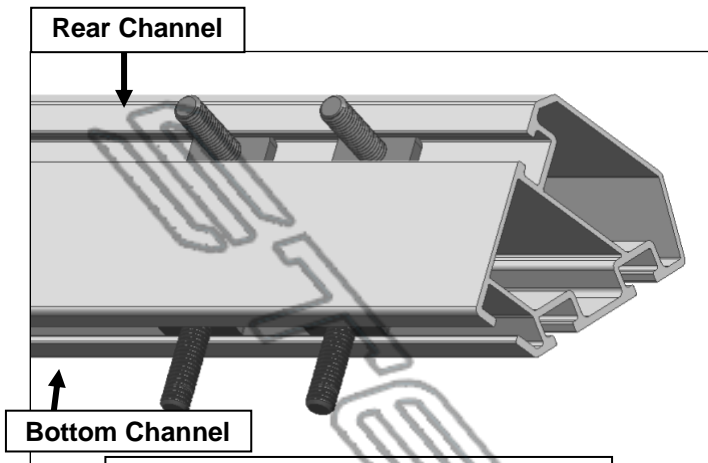
Driver/Left side Installation Pictured



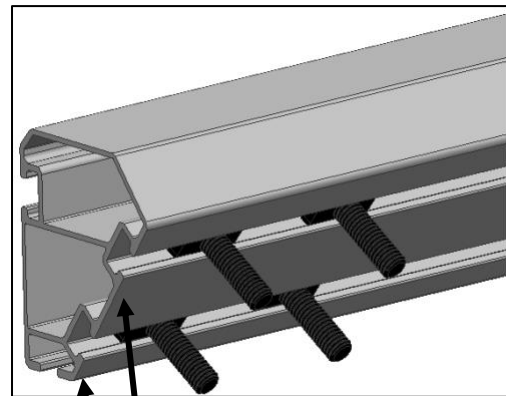
10mm x 30mm Hex Bolt
(2) 10mm x 20mm Flat Washers
10mm Nylon Lock Nut



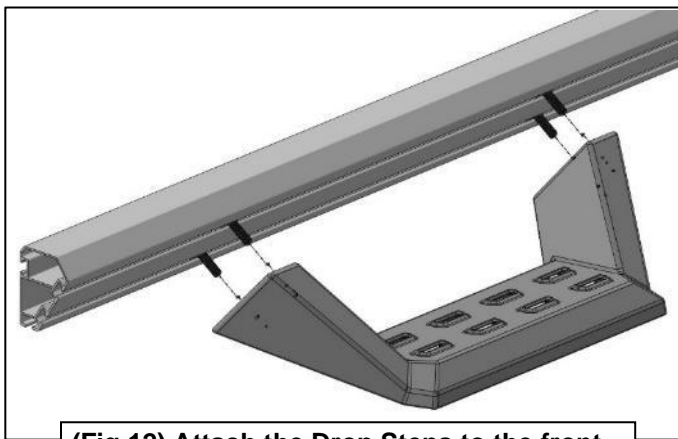
Driver/Left side Installation Pictured



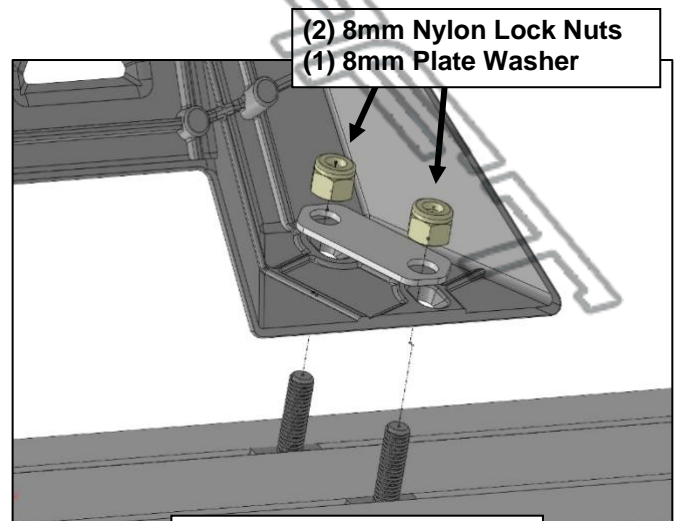
(Fig 10) Insert T-bolts into the rear and bottom channels on the universal mounting tube.



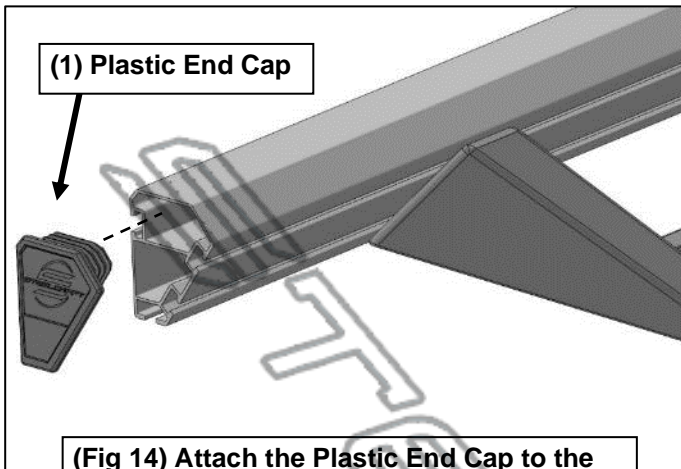
(Fig 11) Insert T-bolts into the Front channels on the universal mounting tube.



(Fig 12) Attach the Drop Steps to the front channels of the Universal Mounting Tube.

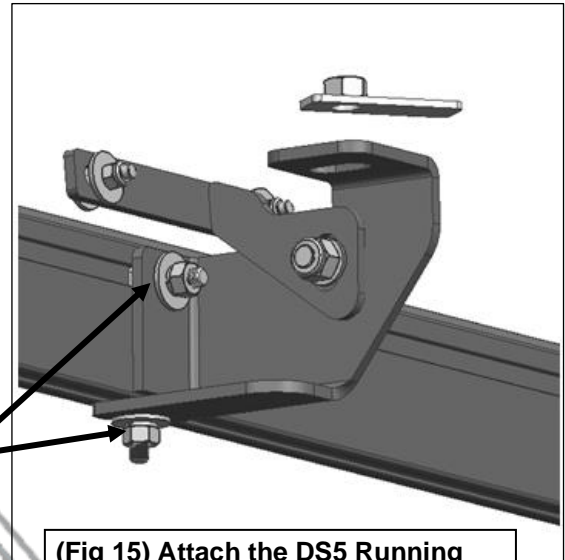


(Fig 13) Attach the Drop Steps to the 8mm T-bolts.



(Fig 14) Attach the Plastic End Cap to the end of the Universal Mounting Tube.

- (2) 8mm Hex Nuts
- (2) 8mm Lock Washers
- (2) 8mm x 24mm x 2mm Flat Washers



(Fig 15) Attach the DS5 Running Board to the (2) Mounting Brackets