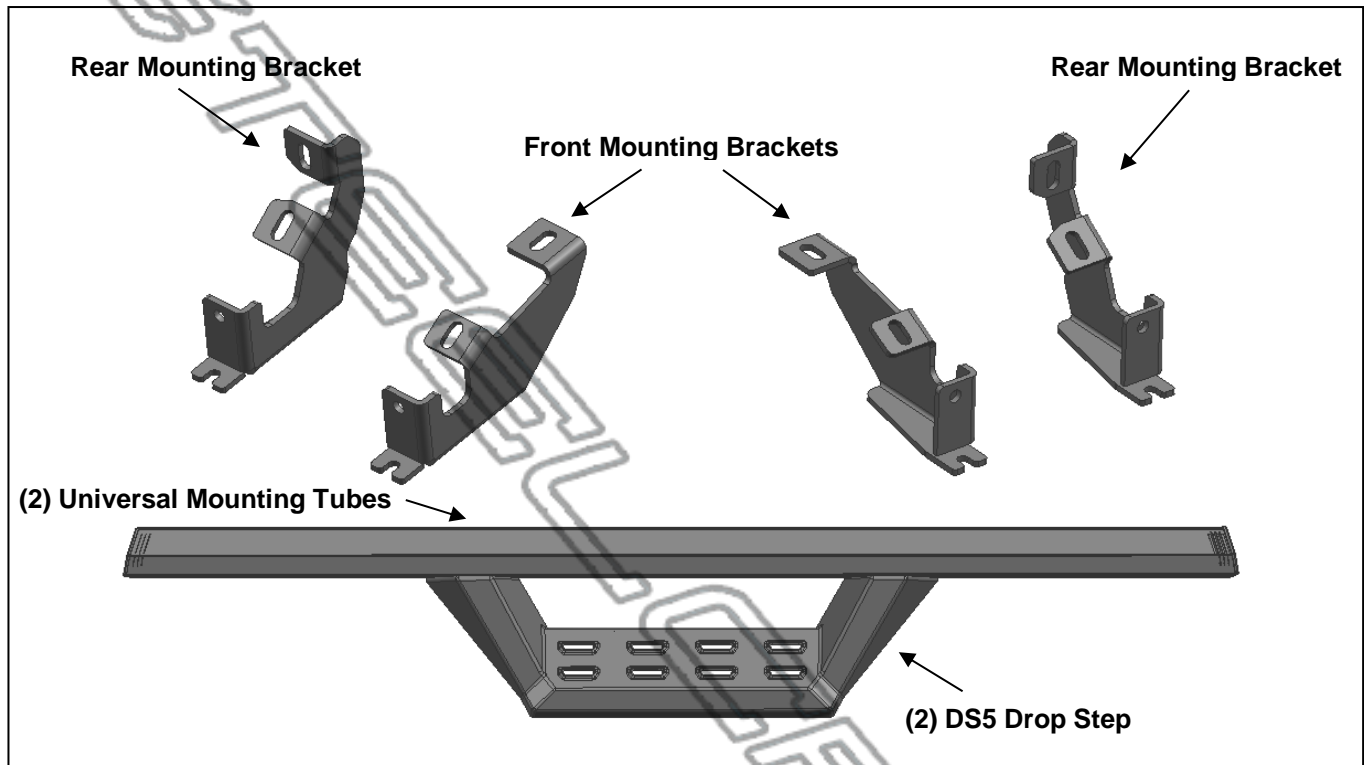


PARTS LIST:

2	Universal Mounting Tubes (53"	8	10mm x 27mm x 3mm Flat Washers
2	DS5 Drop Steps	8	10mm Lock Washers
2	Front Mounting Brackets	16	8-1.25mm x 25mm T-Bolts
2	Rear Mounting Brackets	8	8mm x 24mm x 2mm Flat Washers
2	Left Plastic End Caps	8	8mm Lock Washers
2	Right Plastic End Caps	8	8-1.25mm Hex Nuts
8	10-1.5mm x 30mm Hex Bolts	8	8-1.25mm Nylon Lock Nuts
		4	Plate Washers



PROCEDURE:

REMOVE CONTENTS FROM BOX. VERIFY ALL PARTS ARE PRESENT. READ INSTRUCTIONS CAREFULLY. ASSISTANCE IS RECOMMENDED.

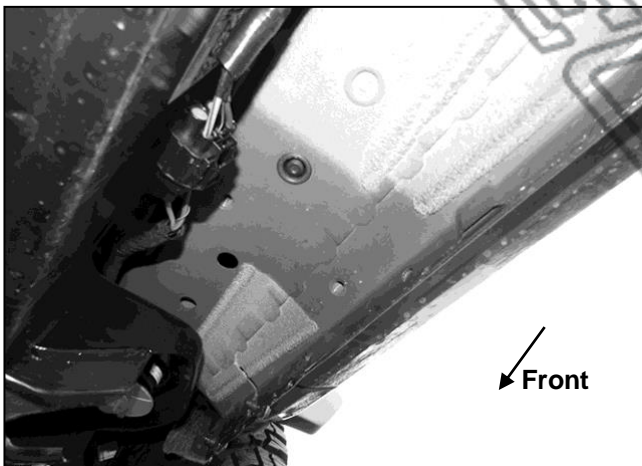
1. Starting from underneath the Passenger/Right body panel, locate the front mounting location and the threaded holes in the body panel, **(Figure 1)**. Remove the plastic plugs covering the holes.
2. Select (1) Front Mounting Bracket. Attach the Mounting Bracket to the front location with (2) 10mm Hex Bolts, (2) 10mm Lock Washers and (2) 10mm Flat Washers, **(Figure 2)**. Do not tighten hardware.
3. Repeat **Steps 1 & 2** to attach (1) Rear Mounting Bracket to the rear locations, **(Figures 3 & 4)**. Do not tighten hardware.
4. Select the Universal Mounting Tube. Select (4) 8mm T-bolts. Insert the T-bolts into the rear and bottom channels of the Universal Mounting Tube, **(Figure 5)**. Guide the T-bolts to the general position of the Mounting Brackets.
5. Take (4) 8mm T-bolts. Insert the T-bolts into the front channels of the Universal Mounting Tube **(Figure 6)**. Each front channel should have (2) T-bolts, which corresponds to the holes on the DS5 Drop Steps.
6. Attach the DS5 Drop Step to the Universal Mounting Tube. Each DS5 Drop Step uses (2) 8mm Plate Washers and (4) 8mm Nylon Lock Nuts, **(Figure 7 & 8)**. Do not tighten hardware. While the hardware is not tightened, the Drop Step will slide along the length of the channels.
7. Take (2) Plastic End Caps. Insert the correctly oriented Plastic End Caps onto the ends of the Universal Mounting Tube, **(Figure 9)**. It is recommended to secure one end and to use a rubber mallet to

carefully tap the Plastic End Caps into place on the other end. Inspect the installed Plastic End Caps to see if they are facing the correct direction.

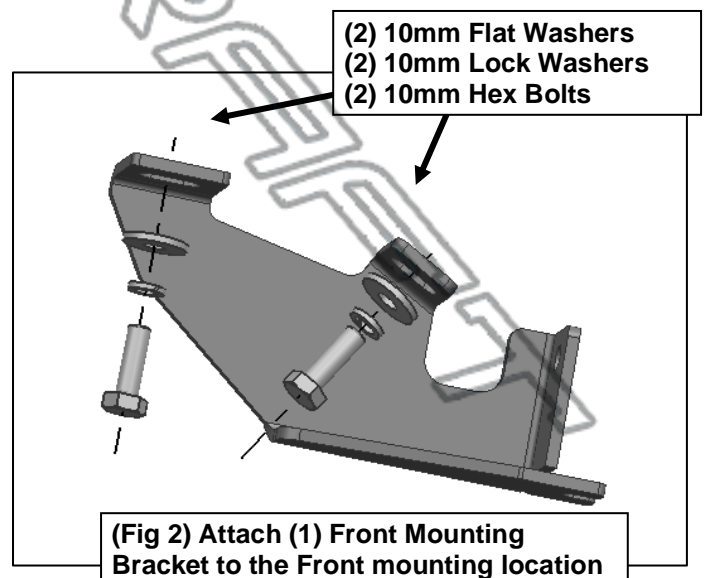
8. Attach the Universal Mounting Tube to the Mounting Brackets. Each Mounting Bracket uses (2) 8mm Flat Washers, (2) 8mm Lock Washers and (2) 8mm Hex Nuts, **(Figure 10 & 11)**. Do not tighten hardware.
9. Level and adjust the Universal Mounting Tube and tighten all hardware.
10. Adjust the DS5 Drop Steps by sliding them to the desired positions. Tighten all hardware to secure the Drop Steps in place.
11. Repeat **Steps 1—10** to attach the other Running Board.
12. Do periodic inspections to the installation to make sure that all hardware is secure and tight.

To protect your investment, Do not use any type of polish or wax that may contain abrasives that could damage the finish. Use only mild soap to clean the Running Boards.

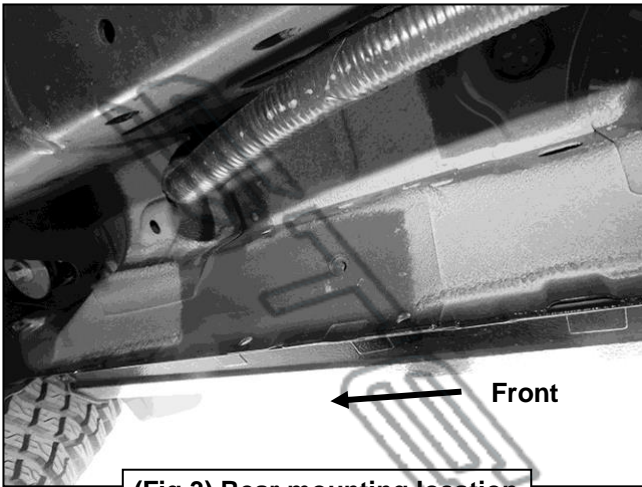
Passenger/Right side Installation Pictured



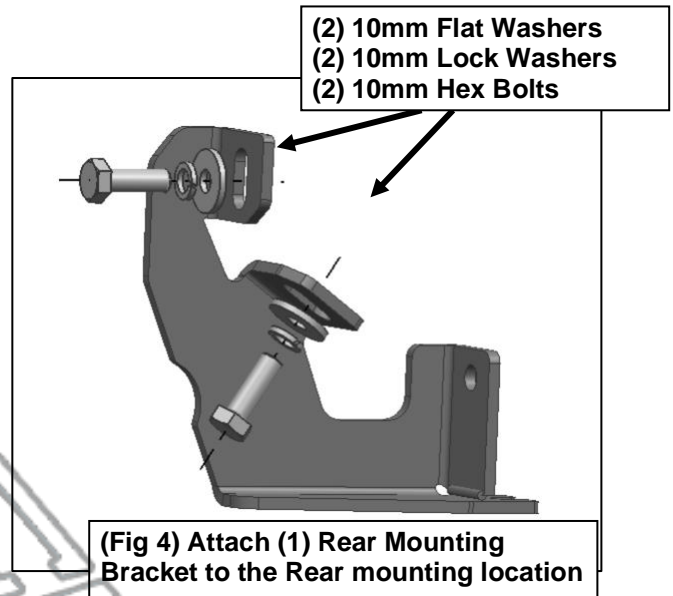
(Fig 1) Passenger/Right front mounting location



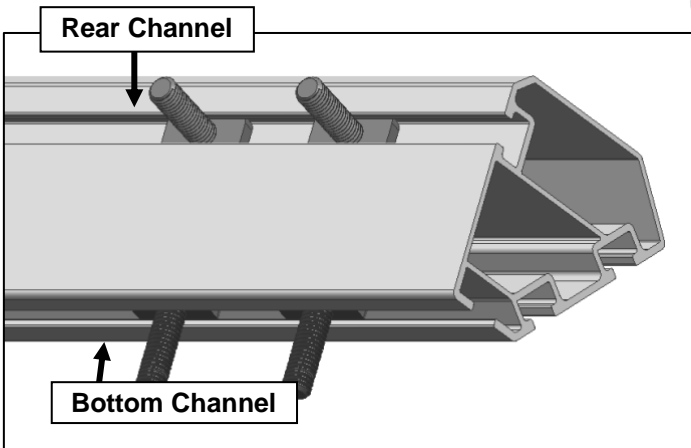
Passenger/Right side Installation Pictured



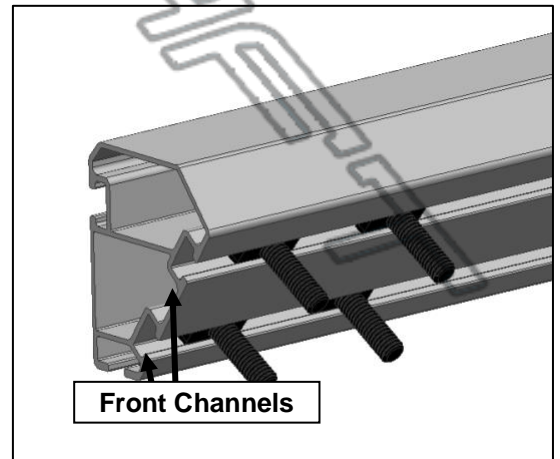
(Fig 3) Rear mounting location
(Driver/Left side shown)



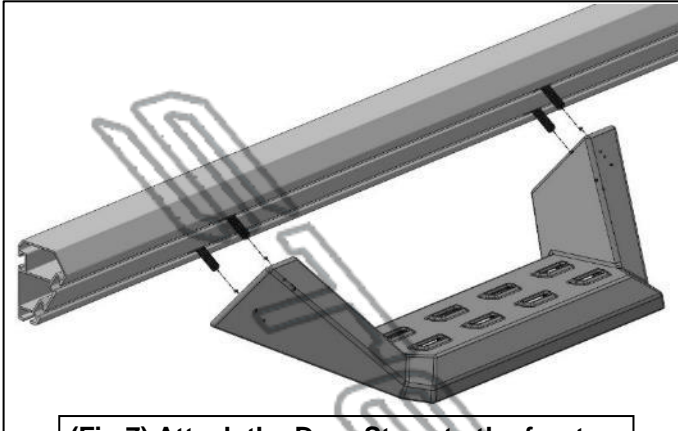
(Fig 4) Attach (1) Rear Mounting
Bracket to the Rear mounting location



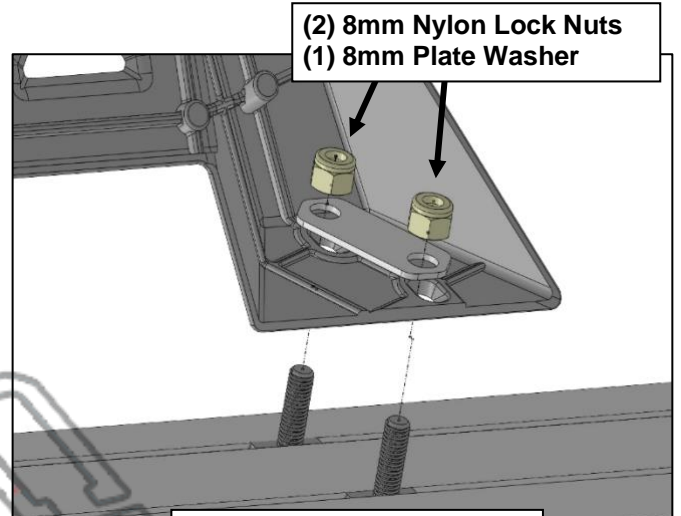
(Fig 5) Insert T-bolts into the rear and
bottom channels on the universal
mounting tube.



(Fig 6) Insert T-bolts into the Front
channels on the universal mounting tube.

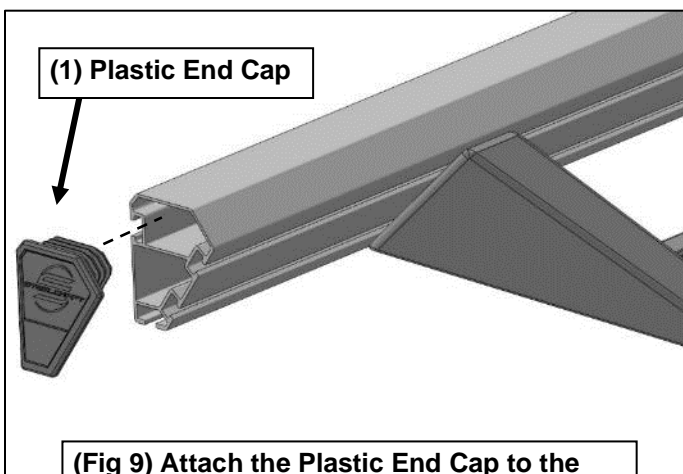


(Fig 7) Attach the Drop Steps to the front channels of the Universal Mounting Tube.



**(2) 8mm Nylon Lock Nuts
(1) 8mm Plate Washer**

(Fig 8) Attach the Drop Steps to the 8mm T-bolts.



(1) Plastic End Cap

(Fig 9) Attach the Plastic End Cap to the end of the Universal Mounting Tube.

Passenger/Right side Installation Pictured

