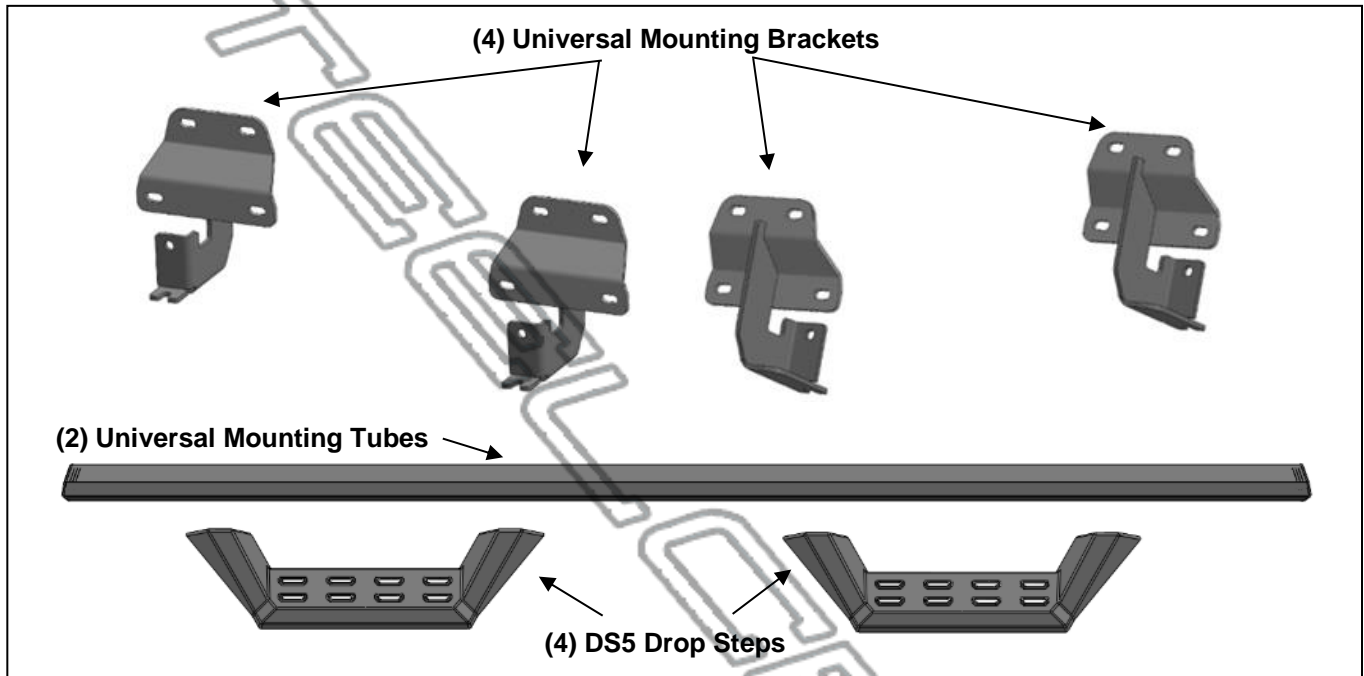


PARTS LIST:

2	Universal Mounting Tubes (78")	24	8-1.25mm x 25mm T-Bolts
4	DS5 Drop Steps	12	8mm Plastic Washers
4	Mounting Brackets	8	8-1.25mm Hex Nuts
2	Left Plastic End Caps	28	8-1.25mm Nylon Lock Nuts
2	Right Plastic End Caps	20	8mm x 24mm x 2mm Flat Washers
8	Plate Washers	8	8mm Lock Washers



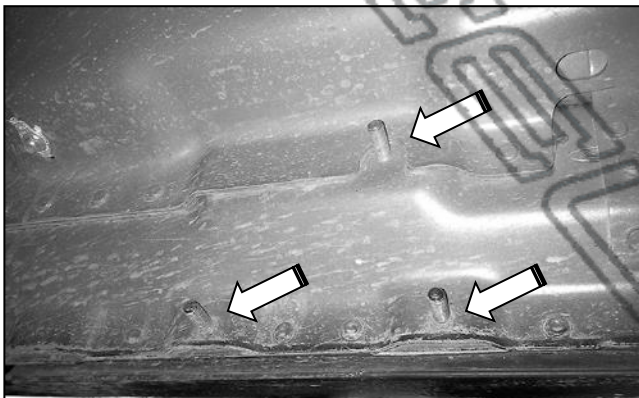
PROCEDURE:

REMOVE CONTENTS FROM BOX. VERIFY ALL PARTS ARE PRESENT. READ INSTRUCTIONS CAREFULLY. ASSISTANCE IS RECOMMENDED.

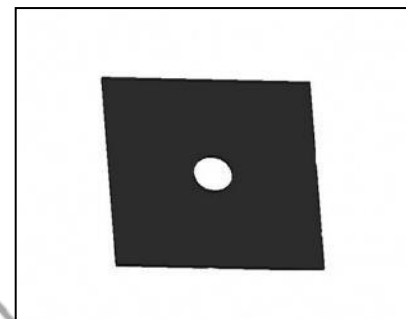
1. Start the installation under either side of the vehicle. Locate the front factory mounting location along the inner side of the body, **(Figure 1)**. Use a wire brush or thread chaser die to remove excess paint and/or undercoating from all studs.
2. Slide (1) Plastic Washer over each of the (3) factory mounting studs in the body panel, **(Figures 2—3)**. **IMPORTANT:** The Plastic Washers are designed to prevent corrosion between the aluminum body panel and the steel mounting brackets. **Do not install the Brackets without the Plastic Washers.**
3. Take (1) Mounting Bracket. Attach the Bracket to the studs with (3) 8mm Flat Washers and (3) 8mm Nylon Lock Nuts, **(Figure 4—5)**. Do not tighten hardware.
4. Repeat **Step 3** to attach (1) Mounting Brackets to the center and rear mounting locations. Each side of the vehicle uses a total of 2 Mounting Brackets.
5. Select the Universal Mounting Tube. Select (4) 8mm T-bolts. Insert the T-bolts into the rear and bottom channels of the Universal Mounting Tube, **(Figure 6)**. Guide the T-bolts to the general position of the Mounting Brackets.
6. Take (8) 8mm T-bolts. Insert the T-bolts into the front channels of the Universal Mounting Tube **(Figure 7)**. Each front channel should have (4) T-bolts, which corresponds to the holes on the DS5 Drop Steps.
7. Attach the DS5 Drop Steps to the Universal Mounting Tube. Each DS5 Drop Step uses (2) 8mm Plate Washers and (4) 8mm Nylon Lock Nuts, **(Figure 8—9)**. Do not tighten hardware. While the hardware is not tightened, the Drop Steps will slide along the length of the channels.

8. Take (2) Plastic End Caps. Insert the correctly oriented Plastic End Caps onto the ends of the Universal Mounting Tube, **(Figure 10)**. It is recommended to secure one end and to use a rubber mallet to carefully tap the Plastic End Caps into place on the other end. Inspect the installed Plastic End Caps to see if they are facing the correct direction.
9. Attach the Universal Mounting Tube to the Mounting Brackets. Each Mounting Bracket uses (2) 8mm Flat Washers, (2) 8mm Lock Washers and (2) 8mm Hex Nuts, **(Figure 11—12)**. Do not tighten hardware.
10. Level and adjust the Universal Mounting Tube and tighten all hardware.
11. Adjust the DS5 Drop Steps by sliding them to the desired positions. Tighten all hardware to secure the Drop Steps in place.
12. Repeat **Steps 1—11** to attach the other Running Board.
13. Do periodic inspections to the installation to make sure that all hardware is secure and tight.

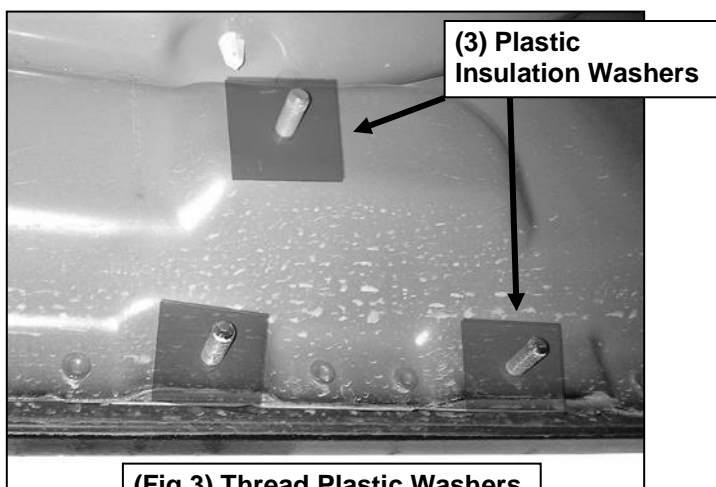
To protect your investment, Do not use any type of polish or wax that may contain abrasives that could damage the finish. Use only mild soap to clean the Running Boards.



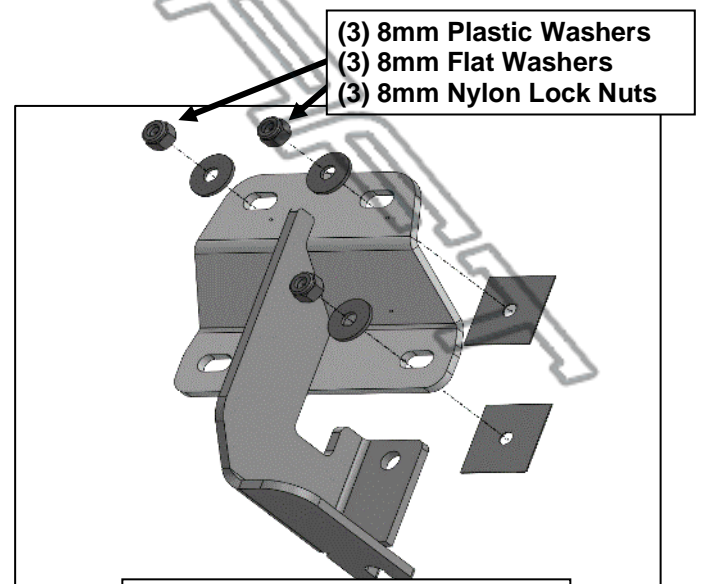
(Fig 1) Example of typical mounting location



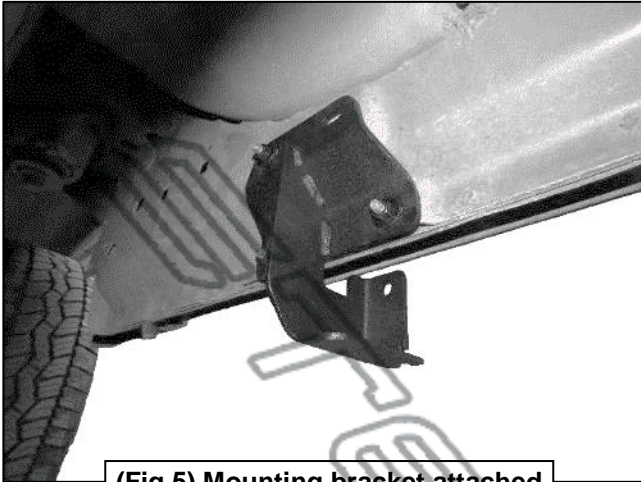
(Fig 2) Plastic Insulation Washer



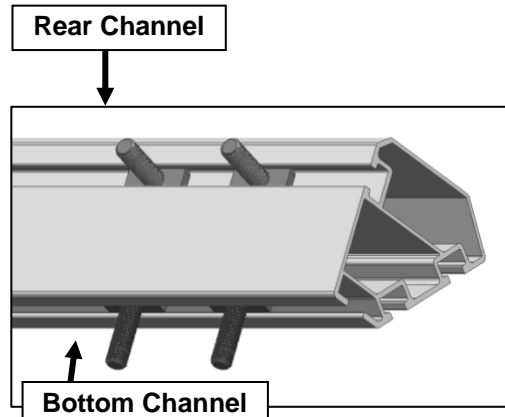
(Fig 3) Thread Plastic Washers onto all mounting studs



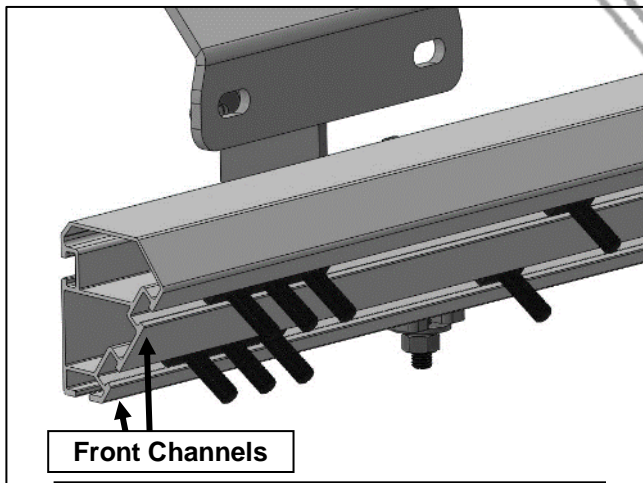
(Fig 4) Attach (1) Mounting Bracket to the mounting location



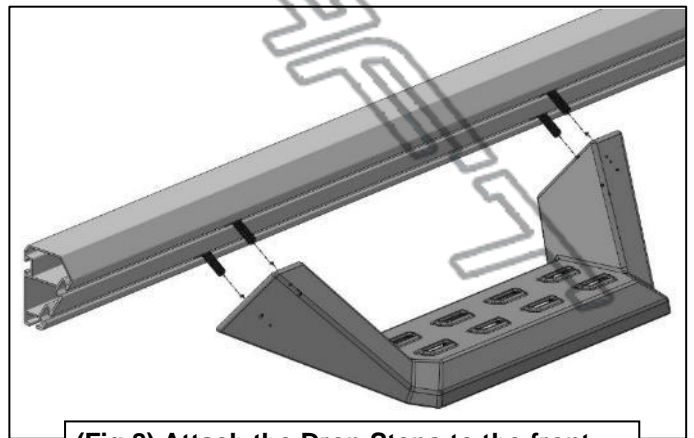
(Fig 5) Mounting bracket attached to the front mounting location



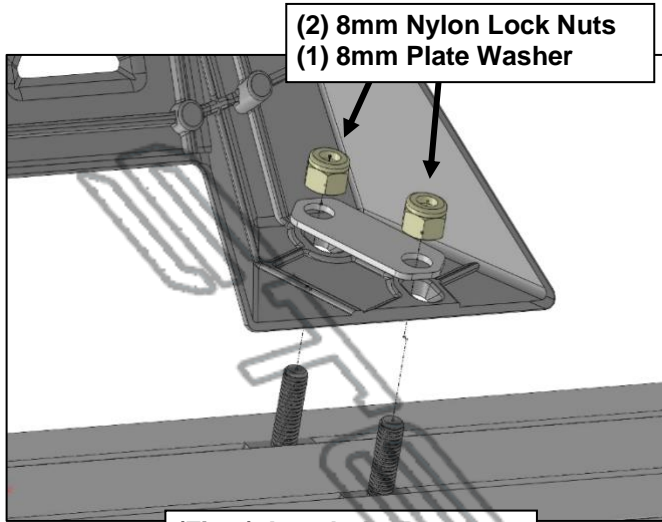
(Fig 6) Insert T-bolts into the rear and bottom channels on the universal mounting tube.



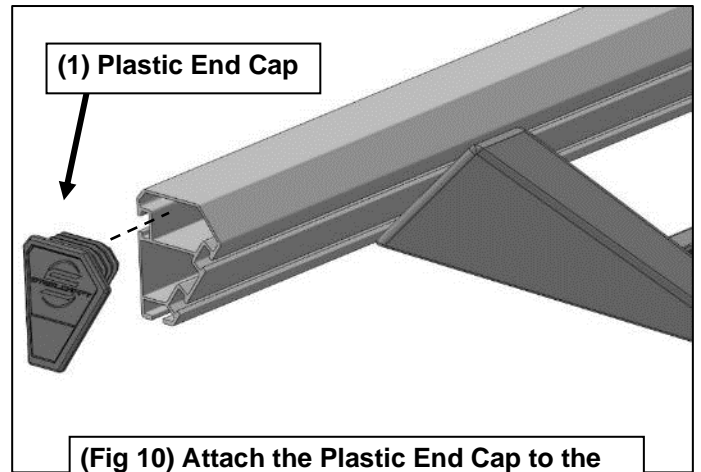
(Fig 7) Insert T-bolts into the Front channels on the universal mounting tube.



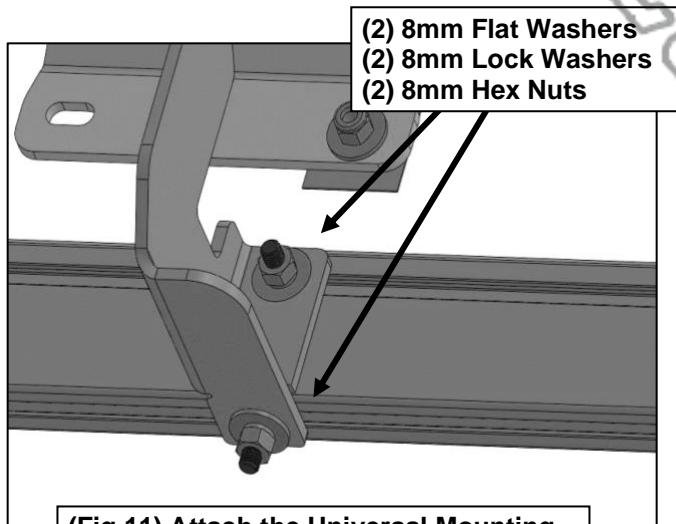
(Fig 8) Attach the Drop Steps to the front channels of the Universal Mounting Tube.



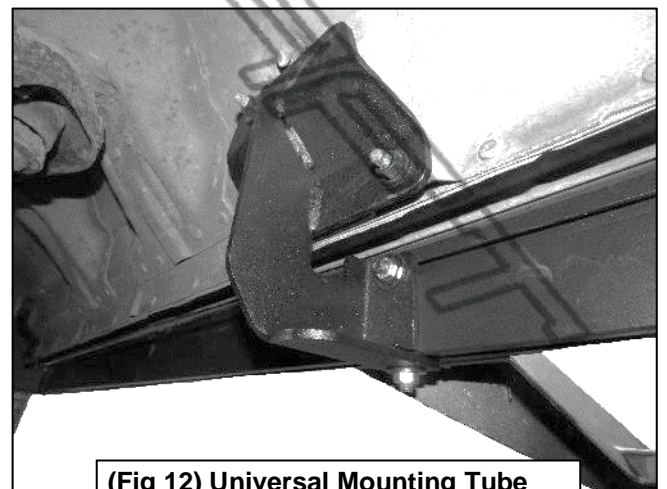
(Fig 9) Attach the Drop Steps to the 8mm T-bolts.



(Fig 10) Attach the Plastic End Cap to the end of the Universal Mounting Tube.



(Fig 11) Attach the Universal Mounting Tube to the Mounting Brackets.



(Fig 12) Universal Mounting Tube attached to the Mounting Bracket.