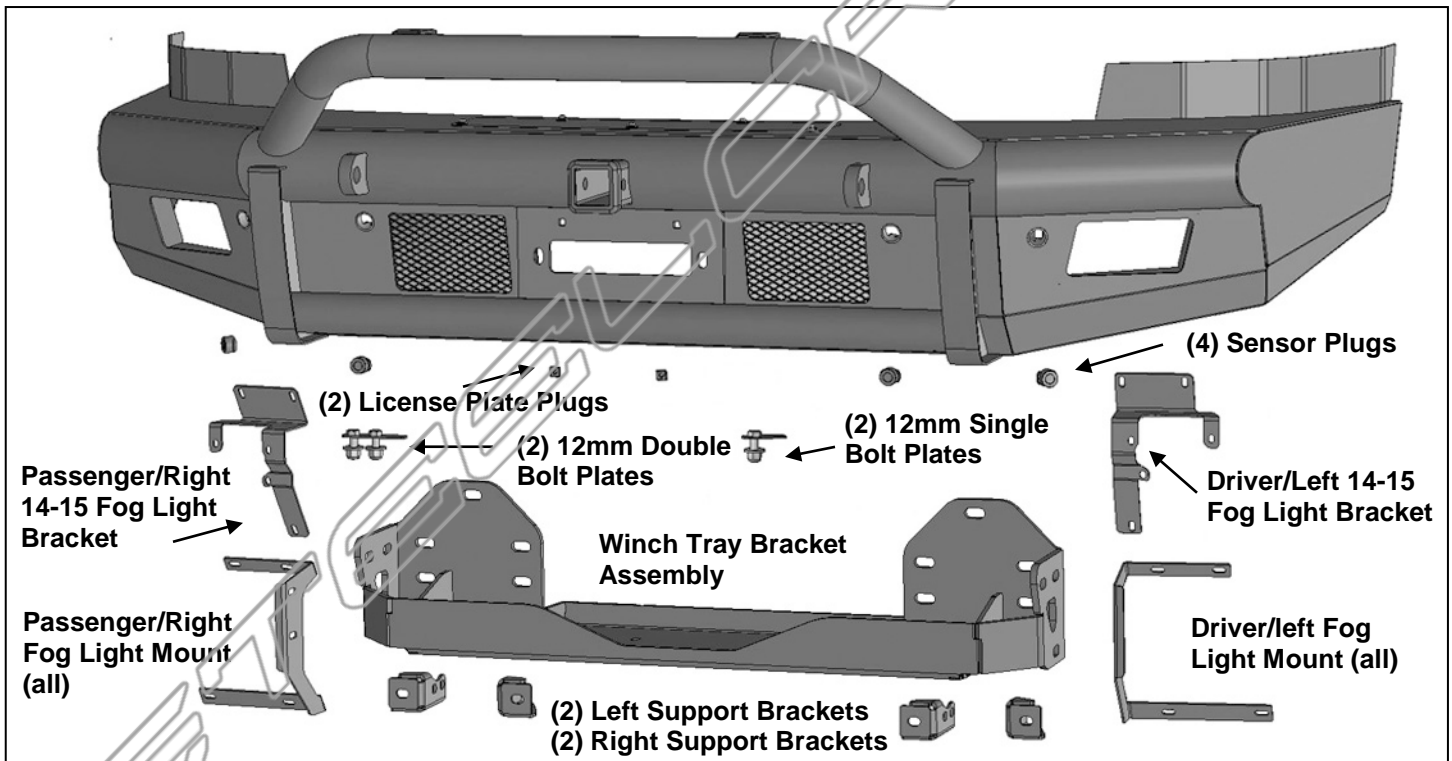


**HD REPLACEMENT BULL NOSE FRONT BUMPER
2014-17 CHEVY SILVERADO 1500**

PARTS LIST:

1	HD Bull Nose Front Bumper Assembly	10	12-1.75mm x 50mm Hex Bolts
1	Winch Tray/Bracket Assembly	26	12mm x 32mm OD x 3mm Flat Washers
1	Winch Access Cover	16	12mm Nylon Lock Nuts
2	Left Support Brackets	4	8-1.25mm x 30mm Hex Bolts
2	Right Support Brackets	8	8mm x 24mm x 2mm Flat Washer
1	Driver/left 2014-15 Fog Light Adapt Bracket	4	8mm Nylon Lock Nuts
1	Passenger/right 2014-15 Fog Light Adapt Bracket	8	6-1.0mm x 30mm Hex Bolts
1	Driver/left Fog Light Mounting Bracket	16	6mm x 18mm x 1.6mm Flat Washers
1	Passenger/right Fog Light Mounting Bracket	8	6mm Nylon Lock Nuts
2	Plastic Plugs for License Plate	5	6mm Combo Bolts (winch access cover)
4	Rubber Sensor Hole Plugs	1	4mm Wrench (combo bolts)
2	12mm Single Bolt Plates	8	4mm x 10mm Socket Head Screws
2	12mm Double Bolt Plates	1	2.5mm Wrench



PROCEDURE:

REMOVE CONTENTS FROM BOX. VERIFY ALL PARTS ARE PRESENT. READ INSTRUCTIONS CAREFULLY BEFORE STARTING INSTALLATION. BUMPER IS HEAVY, ASSISTANCE IS HIGHLY RECOMMENDED TO AVOID POSSIBLE INJURY OR DAMAGE TO THE VEHICLE.

1. Remove the license plate and bracket. On models with factory fog lights, unplug both lights, **(Figure 1)**. On models with front bumper mounted sensors, unplug sensors and harnesses and move all wiring harnesses away from bumper.
2. Next, on **2014-15 models only**, from behind the bumper, release the clips from the center and screws from the ends of the plastic body panel, (fascia), on top of the bumper between the bottom of the grille and the top of the bumper, **(Figure 2)**.

**HD REPLACEMENT BULL NOSE FRONT BUMPER
2014-17 CHEVY SILVERADO 1500**

3. All model years, open the hood and remove the cover between the top of the radiator and the grille, **(Figure 3)**. Remove the bolts attaching the bottom of the grille to the cross member and carefully remove the grille.
4. Remove the outer bumper supports from each side of the frame, **(Figure 4)**.
5. Place blocks or jack stands under the front bumper to support it during mounting bolt removal. Once the bumper has been safely supported, from above, remove the factory bumper bolts attaching the bumper to the inner bumper bracket bolted to the end of the frame, **(Figure 5)**.
WARNING! Assistance is required to hold the bumper in place during bolt removal to prevent the bumper from falling. Slide the bumper assembly with brackets off of the frame.
6. Reinstall the grille and top cover removed in **Step 3**. Do not reinstall the fascia on 2014-15 models.
7. Remove both bumper brackets and tow hooks from the ends of the frame, **(Figures 6 & 7)**.
8. Select (1) Left Facing and (1) Right Facing Support Bracket, **(Figure 8)**. Starting on the driver side, attach the Right Facing Support Bracket to the inner facing side of the frame with (1) 12mm Double Bolt Plate, (2) 12mm Flat Washers and (2) 12mm Nylon Lock Nuts, **(Figures 8 & 9)**. Next, attach (1) Left Facing Support Bracket to the outer facing side of the frame with (1) 12mm Single Bolt Plate, (1) 12mm Flat Washer and (1) 12mm Nylon Lock Nut, **(Figures 8 & 10)**. Do not tighten hardware at this time. Repeat this Step to install the passenger/right Support Brackets.
9. Select the Winch Tray/Bracket Assembly. Reuse the (6) factory bumper bolts removed in **Step 7** to attach the top mounting holes on the Winch Tray to the threaded bumper mounts, **(Figure 11)**. Attach the (4) lower holes in the Winch Tray to the (4) Support Brackets with (4) 12mm x 50mm Hex Bolts, (8) 12mm Flat Washers and (4) 12mm Nylon Lock Nuts, **(Figures 11 & 12)**. Snug but do not fully tighten hardware.
10. If installing winch, follow manufacturer's instructions to attach the winch to the Winch Tray. Winch and cable guide must be installed before Bumper is placed in position against Brackets. Follow manufacturer's instructions to properly wire the winch to the electrical system.
11. Determine if the vehicle is equipped with sensors in the front bumper.

Models without bumper sensors:

- a. Select the included (4) Rubber Plugs.
- b. From behind bumper, push plugs into sensor mounting holes, **(Figure 13)**.

Models with bumper mounted sensors:

- a. Push the sensor into the mounting socket in the back of the bumper.
- b. Secure each sensor to the socket with (2) 4mm x 10mm Button Head Screws, **(Figure 14)**.

IMPORTANT: Sensors fit snug in sockets. The 4mm Screws are used to apply slight pressure to lock the sensors in place. Tighten both screws evenly until they touch the sensor body only. Do not overtighten screws or damage to sensors will result.

12. With assistance, carefully position the Bumper Assembly up to the Mounting Brackets. Temporarily support the weight of the Bumper. **WARNING:** To avoid possible injury or damage to the vehicle, do not proceed until the bumper is fully and safely supported. Models with winch, check for clearance before fully installing Bumper assembly.
13. Line up the (3) holes in the driver/left side of the Bumper with the (3) holes in the Winch Tray Assembly. Attach the mounting plate on the back of the Bumper to the Winch Tray with the included (3) 12mm x 50mm Hex Bolts, (6) 12mm Flat Washers and (3) 12mm Nylon Lock Nuts, **(Figures 15 & 16)**. Do not fully tighten hardware at this time. Repeat this Step to attach the passenger/right side of the Bumper to the Winch Tray.
14. Level and adjust the bumper and fully tighten all 12mm hardware to 65-70ft-lbs.
15. **Models with fog lights:**

HD REPLACEMENT BULL NOSE FRONT BUMPER 2014-17 CHEVY SILVERADO 1500

Select the driver/left Fog Light Mounting Bracket. Attach the Bracket to the mounting tab on the back of the bumper with (2) 8mm x 30mm Hex Bolts, (4) 8mm Flat Washers and (2) 8mm Nylon Lock Nuts, **(Figure 17)**. Do not fully tighten hardware at this time.

2014-15 Models

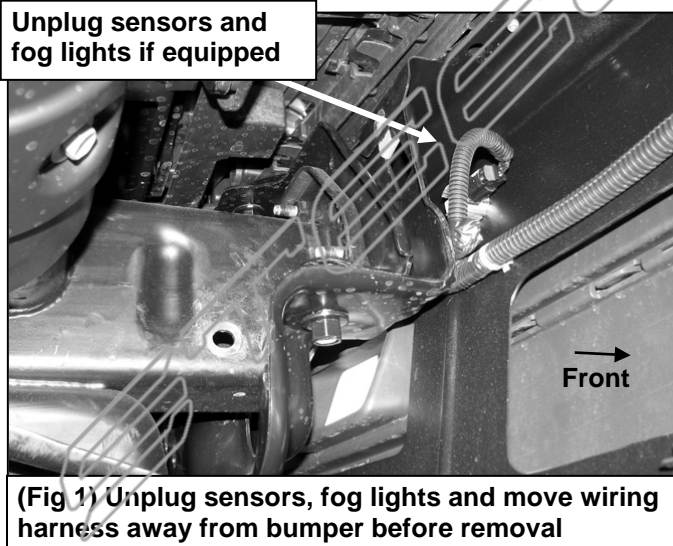
- a. Select the driver/left Light Adapter Bracket, **(Figure 18)**.
- b. Slide the tabs on the driver/left fog light into the Bracket. Push the attaching posts into the mounting holes in the Bracket, **(Figure 18)**.
- c. Attach Bracket with light to the mounting tabs on the back of the Bumper with (3) 6mm x 30mm Hex Bolts, (6) 6mm Flat Washers and (3) 6mm Nylon Lock Nuts, **(Figure 18)**.
- d. Repeat this Step to install passenger/right light assembly.

2016-17 Models

- a. Attach the light assembly with plastic housing directly to the Mounting Bracket with (4) 6mm x 30mm Hex Bolts, (8) 6mm Flat Washers and (4) 6mm Nylon Lock Nuts, **(Figure 17)**. **NOTE:** Light assembly will rotate 90-degrees to install horizontal to Brackets.
 - b. Repeat this Step to install passenger/right light assembly.
16. Reattach the factory wiring harness to both lights and sensors if equipped.
17. Use the included (2) push-in Plastic Nuts to attach the front license plate, (if required), to the (2) holes in the front Bumper, **(Figure 19)**.
18. Do periodic inspections to the installation to make sure that all hardware is secure and tight.

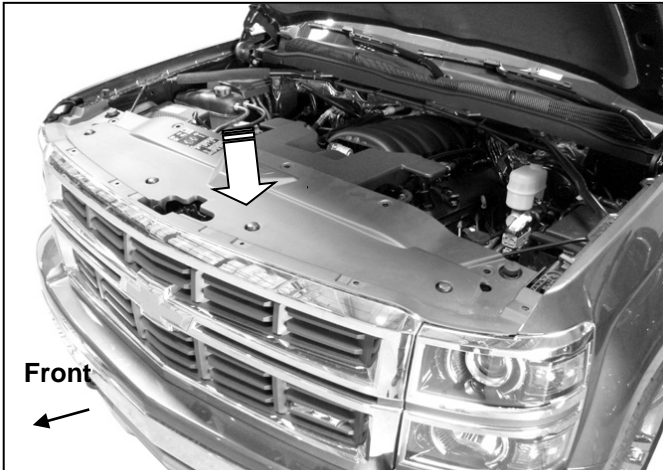
To protect your investment, wax this product after installing. Regular waxing is recommended to add a protective layer over the finish. Do not use any type of polish or wax that may contain abrasives that could damage the finish. Mild soap may be used to clean the Heavy-Duty Front Bumper assembly.

Driver/left Installation Pictured

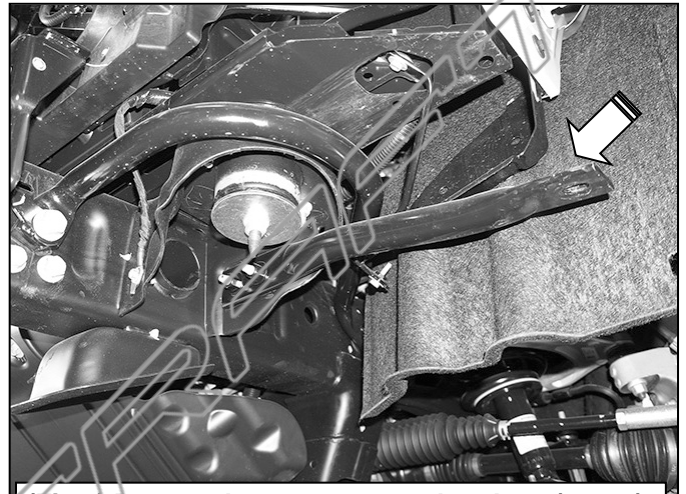


HD REPLACEMENT BULL NOSE FRONT BUMPER
2014-17 CHEVY SILVERADO 1500

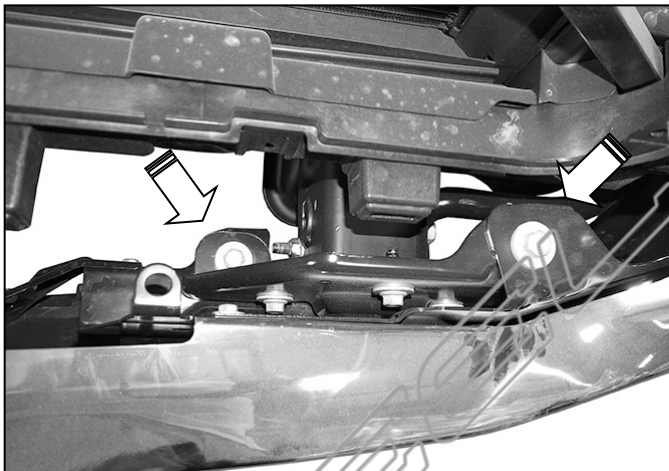
Driver/left Side Installation Pictured



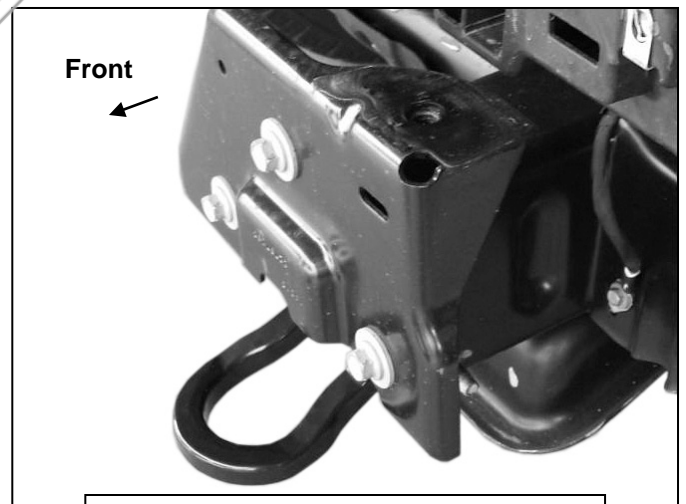
(Fig 3) All model years, remove plastic cover from top of radiator (arrow). Temporarily remove grille



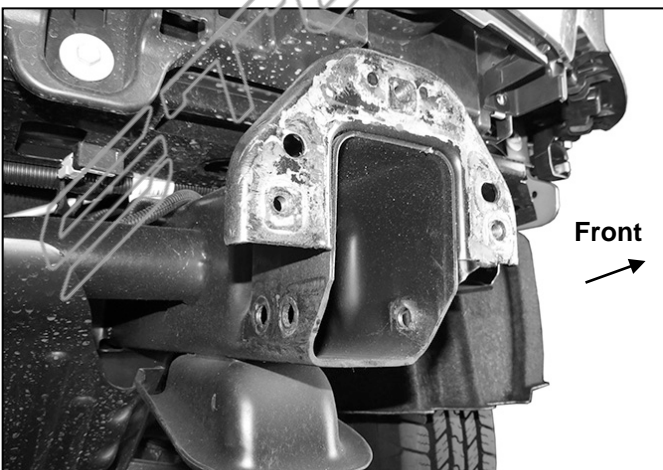
(Fig 4) Remove bumper support brackets (arrow)



(Fig 5) Remove bumper bolts (pictured from above)



(Fig 6) Remove inner bumper brackets and tow hooks, reinstall plastic grille



(Fig 7) Remove complete bumper, inner bumper bracket and tow hooks, reinstall plastic grille

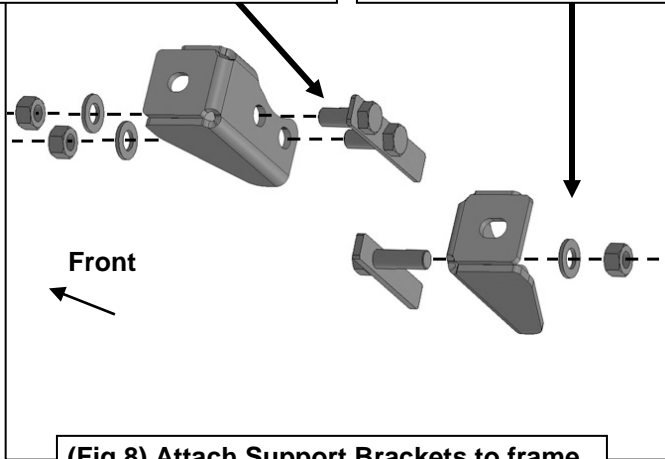
WARNING! Do not crawl under bumper or remove bumper bolts unless the bumper is properly supported on blocks or stands or the bumper may fall.

**HD REPLACEMENT BULL NOSE FRONT BUMPER
2014-17 CHEVY SILVERADO 1500**

Driver/left Side Installation Pictured

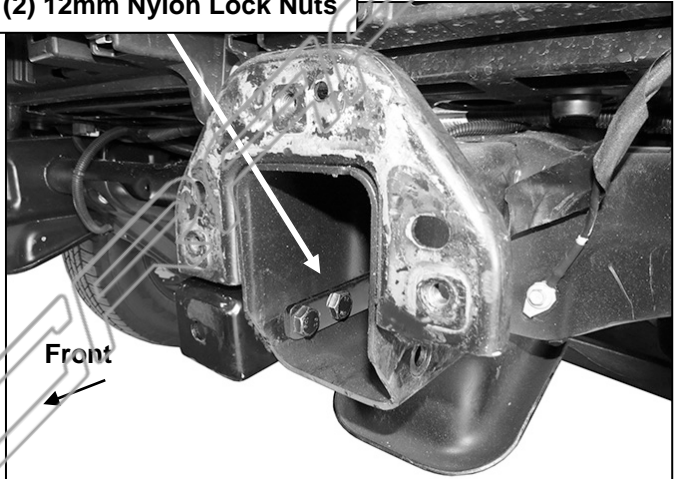
- 12mm Double Bolt Plate
- (2) 12mm Flat Washers
- (2) 12mm Nylon Lock Nuts

- 12mm Single Bolt Plate
- 12mm Flat Washer
- 12mm Nylon Lock Nut



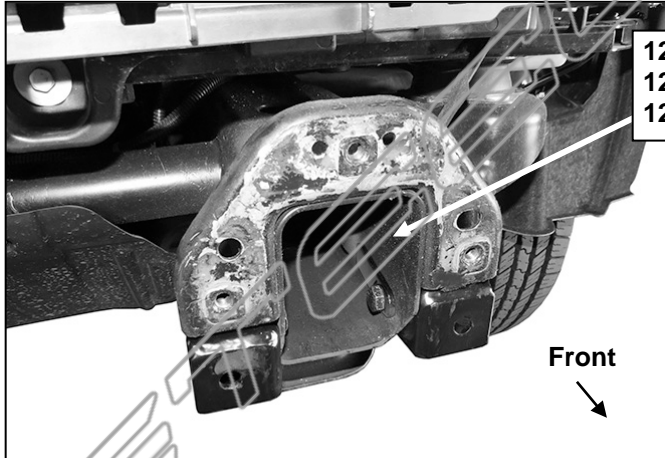
(Fig 8) Attach Support Brackets to frame

- 12mm Double Bolt Plate
- (2) 12mm Flat Washers
- (2) 12mm Nylon Lock Nuts



(Fig 9) Attach Support Brackets to frame using factory holes for tow hooks. Driver side pictured

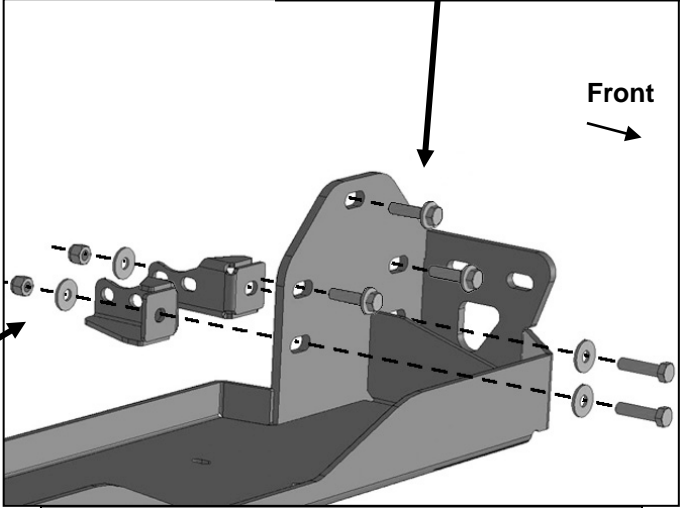
- 12mm Single Bolt Plate
- 12mm Flat Washer
- 12mm Nylon Lock Nut



(Fig 10) Attach Support Brackets to frame using factory holes for tow hooks. Driver side pictured

Reuse Factory bumper bolts to attach Winch Tray Assembly to factory frame bracket

- (2) 12mm x 50mm Hex Bolts
- (4) 12mm Flat Washers
- (2) 12mm Nylon Lock Nuts



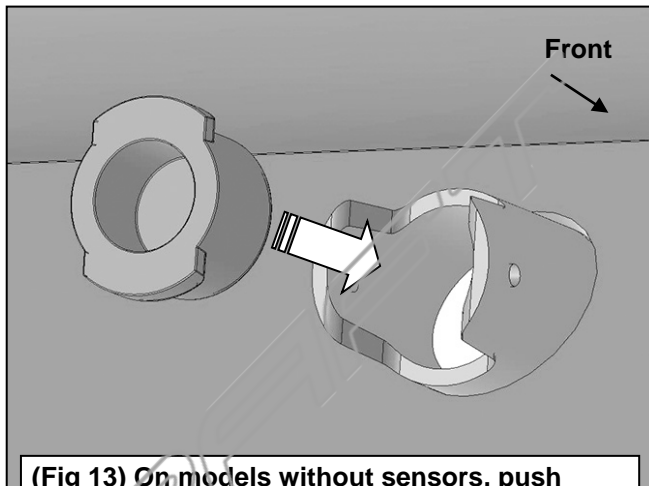
(Fig 11) Attach Winch Tray to mounting plates on end of frame and Support Brackets

HD REPLACEMENT BULL NOSE FRONT BUMPER
2014-17 CHEVY SILVERADO 1500

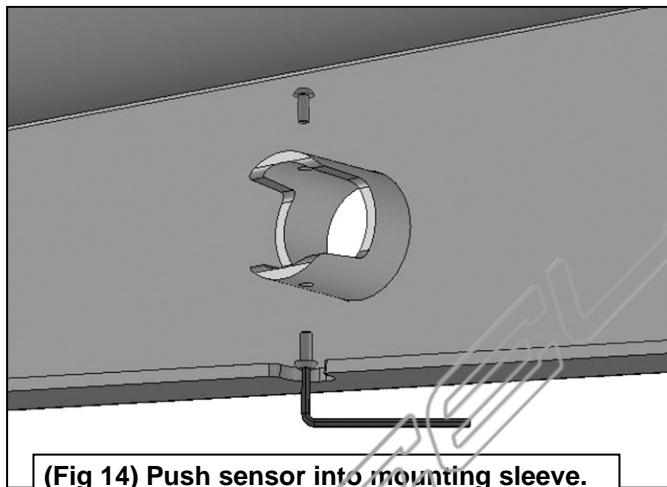
Driver/left Side Installation Pictured



(Fig 12) Winch Tray/bracket assembly installed

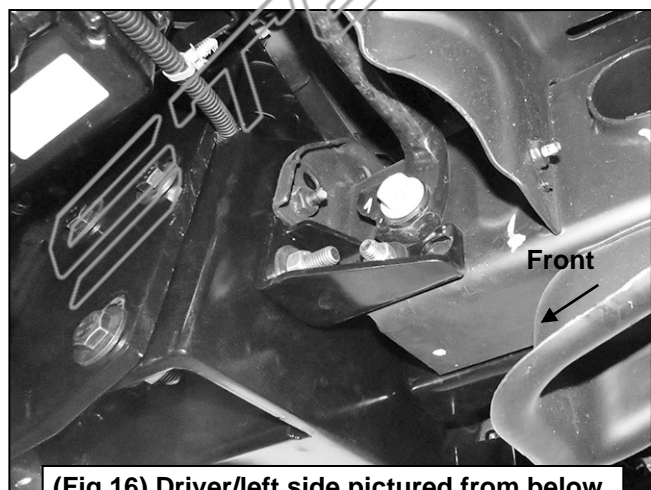


(Fig 13) On models without sensors, push included rubber plugs into mounting sleeves

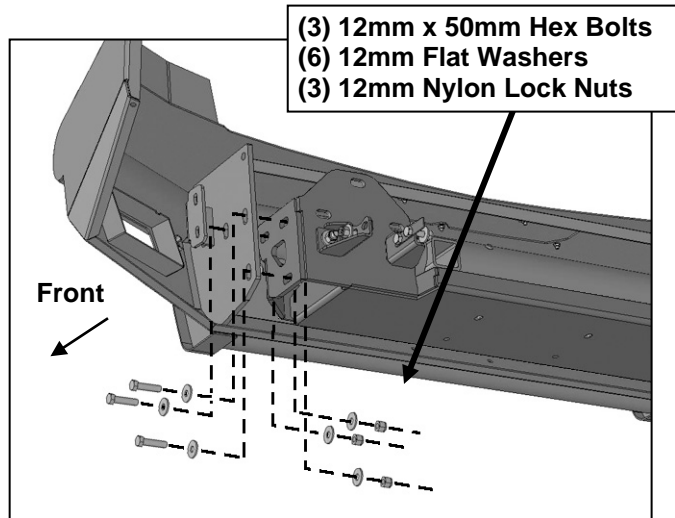


(Fig 14) Push sensor into mounting sleeve. Use 4mm Screws to lock sensor in place.

IMPORTANT: Sensors fit snug in sockets. The 4mm Screws are only used to apply slight pressure to lock the sensors in place. Tighten both screws evenly until they touch the sensor body only. Do not overtighten screws or damage to sensors will result.



(Fig 16) Driver/left side pictured from below

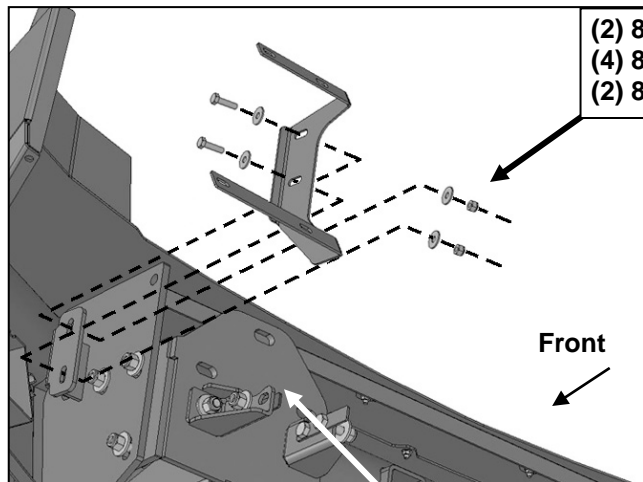


(Fig 15) Attach Bumper to Winch Tray Assembly

WARNING! Do not crawl under bumper unless the bumper is properly supported on blocks or stands or the bumper may fall.

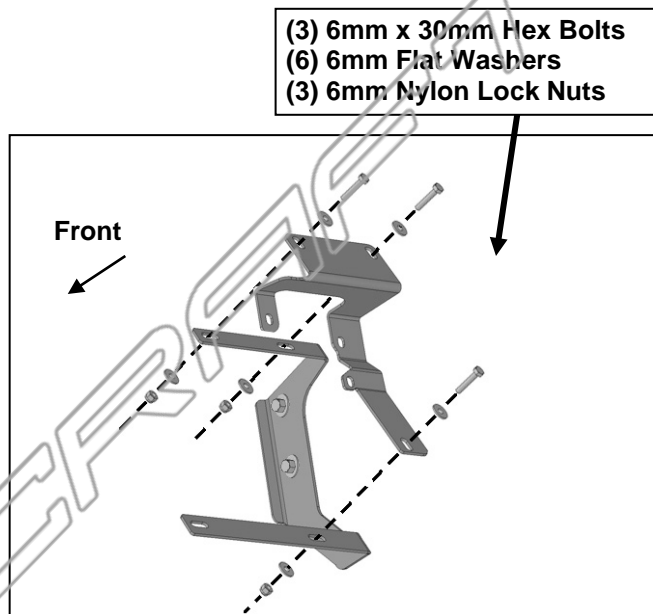
**HD REPLACEMENT BULL NOSE FRONT BUMPER
2014-17 CHEVY SILVERADO 1500**

Driver/left Side Installation Pictured



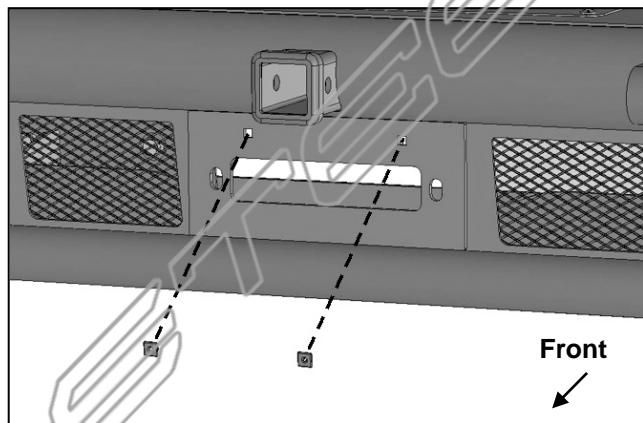
- (2) 8mm x 30mm Hex Bolts
- (4) 8mm Flat Washers
- (2) 8mm Nylon Lock Nuts

(Fig 17) All model years, attach driver/left fog light Mounting Bracket to tab on back of Bumper
On 2016-17 models, rotate light 90-degrees and attach fog light and housing assembly directly to Mounting Bracket. Adapter bracket is not required for installation



- (3) 6mm x 30mm Hex Bolts
- (6) 6mm Flat Washers
- (3) 6mm Nylon Lock Nuts

(Fig 18) On 2014-15 model years only, attach factory fog light to mounting tabs on Adapter Bracket first, then attach Adapter Bracket to Fog Light Mounting Bracket (Fig 17)



(Fig 19) Push plastic plugs into upper or lower holes in Bumper for license plate if required



Complete Installation with accessories (not included)