



www.skyjacker.com

2014 & Up Ram 2500 4WD 2013 & Up Ram 3500 4WD 2" Front Metal Spacer Kit Installation Instructions

REQUIRED TOOL LIST:

- Safety Glasses
- Metric / Standard Wrenches & Sockets
- Floor Jack
- Jack Stands
- Measuring Tape
- Torque Wrench



Before beginning the installation, thoroughly & completely read these instructions & the enclosed driver's WARNING NOTICE. Affix the WARNING decal in the passenger compartment in clear view of all occupants. Please refer to the Parts List to insure that all parts & hardware are received prior to the disassembly of the vehicle. If any parts are found to be missing, contact SKYJACKER® Customer Service at 318-388-0816 to obtain the needed items. If you have any questions or reservations about installing this product, contact SKYJACKER® Technical Assistance at 318-388-0816.

Make sure you park the vehicle on a level concrete or asphalt surface. Many times a vehicle is not level (side-to-side) from the factory & is usually not noticed until a lift kit has been installed, which makes the difference more visible. Using a measuring tape, measure the front (both sides) from the ground up to the center of the fender opening above the axle. Record this information below for future reference.

Driver Side Front: _____

Passenger Side Front: _____

Important Notes:

- If larger tires (10% more than the OEM diameter) are installed, speedometer recalibration will be necessary. Contact your local Ram dealer or an authorized dealer for details.
- After installation, a qualified alignment facility is required to align the vehicle to the OEM specifications.

Component Box Breakdown:

Part #: R1325MS / R1325MSB

Item #	Description	Qty
R1325MS2-S	2" METAL COIL SPRING SPACER	2
R14SE20-B	2" SHOCK EXTENSION BRKT (Included With R1325MSB)	2
HB-R1325MS	HDWR BAG: R1325MS SPACERS	1

Item #	Description	Qty
HB-R14SE20	HDWR BAG: R14SE20 SHK BRKT (Included With R1325MSB)	1
I-R1325MS	INST SHT: R1325MS / R1325MSB	1

Hardware Bag Breakdown:

Part # HB-R1325MS

Item #	Description	Qty
716X114FTB	7/16 X 1 1/4 FINE THREAD BOLT	2
716SAEW	7/16 SAE WASHER	2

Item #	Description	Qty
716FTN	7/16 FINE THREAD LOCK NUT	2
716PN	7/16 PUSH NUT	2

Part # HB-R14SE20

Item #	Description	Qty
14X80MMB	14MM X 80MM METRIC BOLT	2
916SAEW	9/16 SAE WASHER	4

Item #	Description	Qty
14MMN	14MM METRIC LOCK NUT	2

Installation:

1. With the vehicle on a level concrete or asphalt surface, set the emergency brake & block the rear tires / wheels.
2. Lift the front of the vehicle & support the vehicle using jack stands.
3. Remove the front tires / wheels. (See Photo # 1)
4. Disconnect the OEM front shocks at each lower mount. (See Photo # 2)
5. Disconnect the OEM sway bar end links from the OEM sway bar. (See Photo # 3)

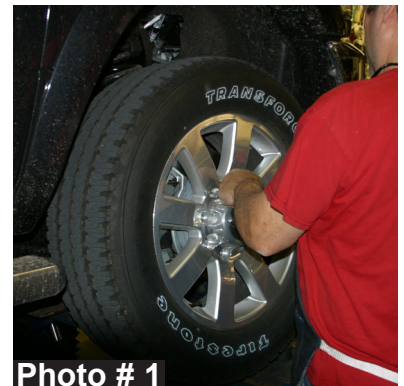


Photo # 1

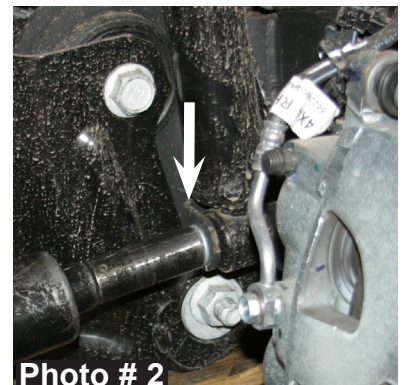


Photo # 2



Photo # 3

6. Disconnect the OEM drag link from the OEM pitman arm. (See Photo # 4)

7. Disconnect the OEM ABS / brake line brackets from the front axle. (See Photo # 5)

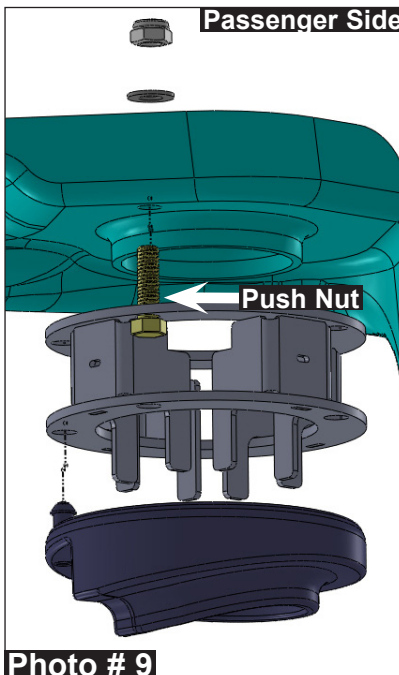
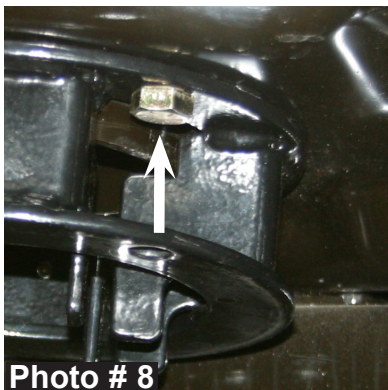
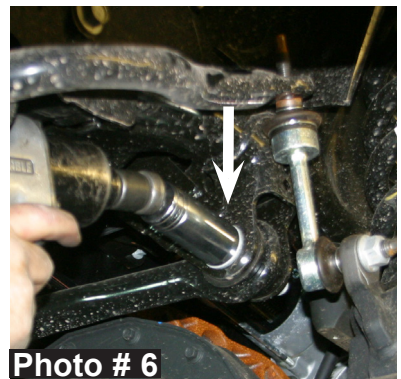
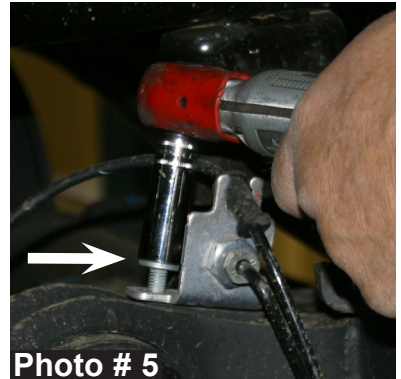
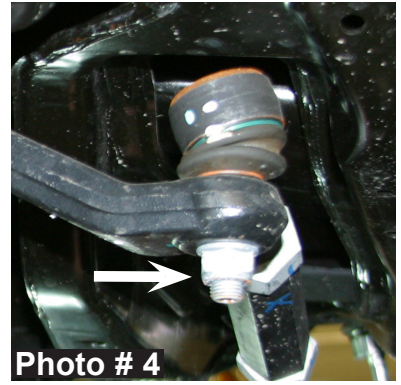
8. Disconnect the OEM track bar from the upper frame mount. (See Photo # 6)

9. While checking for appropriate slack in ABS lines, brake lines, differential breather hose, & etc. Lower the front axle & remove the OEM coil springs & rubber isolators. (See Photo # 7)

10. With the Skyjacker logo facing outward towards the front tires / wheels, install the new Skyjacker metal coil spring spacers to the OEM coil spring isolator mounting locations using the supplied 7/16" x 1 1/4" bolts, push nuts, washers, & hex nuts. (See Photo # 8 & # 9)
Note: The supplied 7/16" bolt for the driver side will be installed in the mounting hole located to the right of the Skyjacker badge & the supplied 7/16" bolt for the passenger side will be installed in the mounting hole located behind the Skyjacker badge.

11. **Driver Side:** Install the driver side OEM coil spring isolator to the new driver side Skyjacker metal coil spring spacer using the mounting hole directly below the previously installed 7/16" bolt.

12. **Passenger Side:** Install the passenger side OEM coil spring isolator to the new passenger side Skyjacker metal coil spring spacer using the mounting hole to the left of the previously installed 7/16" bolt. (See Photo # 9)



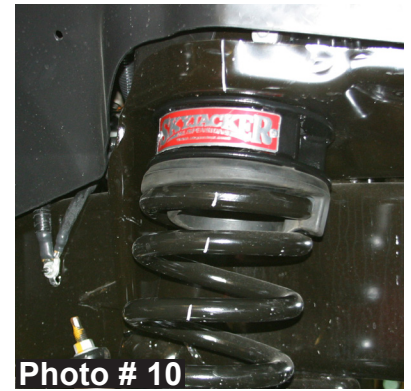
13. Install the OEM coil springs & raise the front axle in order to load the OEM coil springs. (See Photo # 10)

14. Connect the OEM track bar to the upper frame mount using the OEM hardware. (See Photo # 6)

15. Connect the OEM ABS / brake line brackets to the front axle using the OEM hardware. (See Photo # 5)

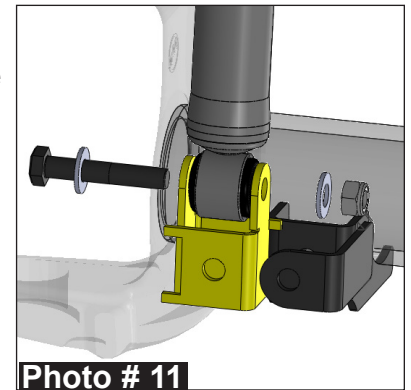
16. Connect the OEM drag link to the OEM pitman arm using the OEM hardware. (See Photo # 4)

17. Connect the OEM sway bar end links to the OEM sway bar using the OEM hardware. (See Photo # 3)



Part # R1325MS / OEM Front Shock Installation:

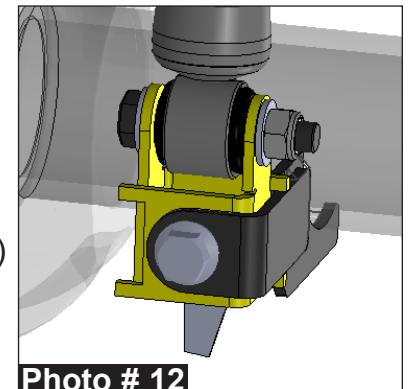
18. Connect the OEM front shocks at each lower mount using the OEM hardware. (See Photo # 2) Proceed to Step # 21.



Part # R1325MSB / OEM Front Shock Installation:

19. Install the new Skyjacker lower shock extension brackets to the OEM front shocks using the supplied 14mm x 80mm bolts, washers, & nuts. (See Photo # 11)

20. Connect the new Skyjacker lower shock extension brackets to the OEM front shock mounts using the OEM hardware. (See Photo # 12)



21. Install the front tires / wheels & lower the front of the vehicle to the ground. (See Photo # 1)

Final Notes:

- After the installation is complete, double check that all nuts & bolts are tight. Refer to the following chart for the proper torque specifications. (Do not retighten the nuts & bolts where thread lock compound was used.)
- With the vehicle placed on the ground, cycle the steering lock to lock & inspect the steering, suspension, brake lines, front & rear drivelines, fuel lines, & wiring harnesses for proper operation, tightness, & adequate clearance.
- Have the headlights readjusted to the proper settings.
- Have a qualified alignment center align the vehicle to the OEM specifications.
- After the first 100 miles, check all of the hardware for the proper torque & periodically thereafter.

TORQUE SPECIFICATIONS

<u>INCH SYSTEM</u>			<u>METRIC SYSTEM</u>		
Bolt Size	Grade 5	Grade 8	Bolt Size	Class 8.8	Class 10.9
5/16	15 FT LB	20 FT LB	6MM	5 FT LB	9 FT LB
3/8	30 FT LB	35 FT LB	8MM	18 FT LB	23 FT LB
7/16	45 FT LB	60 FT LB	10MM	32 FT LB	45 FT LB
1/2	65 FT LB	90 FT LB	12MM	55 FT LB	75 FT LB
9/16	95 FT LB	130 FT LB	14MM	85 FT LB	120 FT LB
5/8	135 FT LB	175 FT LB	16MM	130 FT LB	165 FT LB
3/4	185 FT LB	280 FT LB	18MM	170 FT LB	240 FT LB

• The above specifications are not to be used when the bolt is being installed with a bushing.

Seat Belts Save Lives, Please Wear Your Seat Belt.



Jesus Christ Died For You.

John 3:16

For God so loved the world that He gave His only Son, so that everyone who believes in Him should not perish, but have everlasting life.
Romans 3:23

For all have sinned; all fall short of God's glorious standard.
Ephesians 2:8

God saved you by his special favor when you believed. And you can't take credit for this; it is a gift from God.
Psalms 18:2

The Lord is my Rock, my fortress, and my savior; my God is my Rock, in whom I find protection. He is my shield, the strength of my salvation, and my stronghold.
Romans 10:9-10

That if you shall confess with thy mouth the Lord Jesus, and shall believe in your heart that God hath raised him from the dead, you shall be saved. For with the heart man believeth unto righteousness; and with the mouth confession is made unto salvation.

Pray This Simple Prayer:

God, I come to You admitting I have sinned against You and I need you to take control of my life. The Bible says anyone who calls on the name of the Lord will be saved. I am calling on You, Jesus. I ask that You come live in my heart and be the Lord over my life today. I do believe You died on the cross for me and came back to life to give me life! Thank You, Lord Jesus for a new life in You!

Now, go and tell somebody about your new life in Jesus, get a Bible, begin to read it, and go to a Bible believing church.

If you would like someone to pray with you, call Kenneth Copeland Ministries anytime at 800-600-7395.

To listen to commercial free Christian radio on the web, go to www.887fm.org

Jesús murió por ti.

Juan 3:16

"Porque tanto amó Dios al mundo, que dio a su Hijo unigénito, para que todo el que cree en él no se pierda, sino que tenga vida eterna."
Romanos 3:23

"Pues todos han pecado y están privados de la gloria de Dios."
Efesios 2:8

"Porque por gracia ustedes han sido salvados mediante la fe; esto no procede de ustedes, sino que es el regalo de Dios."
Salmos 18:2

"El Señor es mi roca, mi amparo, mi libertador; es mi Dios, el peñasco en que me refugio. Es mi escudo, el poder que me salva, ¡mi más alto escondite!"
Romanos 10:9-10

"9 Que si confi esas con tu boca que Jesús es el Señor, y crees en tu corazón que Dios lo levantó de entre los muertos, serás salvo. 10 Porque con el corazón se cree para ser justifi cado, pero con la boca se confi esa para ser salvo."

Ahora dí esta simple oración:

Dios, vengo a Ti y admito que he pecado contra Ti, necesito que tomes el control de mi vida. La Biblia dice que todo aquel que invoca el nombre del Señor escapará con vida. En este momento yo clamo ante Ti, Jesús; te pido que vengas a vivir en mi corazón y que tomes el control de mi vida. ¡Yo creo que tu moriste en la cruz y resucitaste para darme vida! ¡Gracias Señor Jesús, por una nueva vida que tengo en Ti! Amen.

Ahora ve y dile a alguien sobre la nueva vida que tienes en Cristo. Compra una Biblia y empieza a leerla. Busca una Iglesia que cree en la Biblia y hazte parte de esa Iglesia.

Si te gustaría orar con alguien, puedes llamar a este número 800-600-7395

Puedes ir a este sitio de Internet para escuchar música Cristiana sin anuncios, www.887fm.org

Check out our favorite ministries at:

www.innministries.org

www.familychurch.org

www.kcm.org

