

Dual Compressor

Thank you for choosing Rough Country for all your vehicle needs.

Please read instructions before beginning installation. Check the kit hardware against the kit contents shown below. Be sure you have all needed parts and know where they go. Rough Country recommends a certified technician install this system. In addition to these instructions, professional knowledge of disassembly/reassembly procedures as well as post installation checks must be known. Attempts to install this system without this knowledge and expertise may jeopardize the integrity and/or operating safety of the vehicle.

If questions exist, please call us @1-800-222-7023. We will be happy to answer any questions concerning this product. Check all fasteners for proper torque. Check to ensure for adequate clearance between all components. Periodically check all hardware for tightness.

- KIT CONTENTS:**
 Dual Compressors x1
 Air Filter x2
 Power Harness x1
 Switch Harness x1
 Switch x1

- TOOLS NEEDED:**
 10mm Wrench or Socket
 Ratchet
 Wire Crimper
 Razor Knife
 Leak Test Gauge
 9/32 Drill

- HARDWARE INCLUDED:**
 6mm Hex Head Bolts x4
 6mm Washers x4
 6mm Nuts x4
 6mm Lock Washer x4
 8x10 wire terminal x2
 8x16 wire terminal x2



Torque Specs:

Size	Grade 5	Grade 8	Size	Class 8.8	Class 10.9
5/16"	15 ft/lbs	20ft/lbs	6MM	5ft/lbs	9ft/lbs
3/8"	30 ft/lbs	35ft/lbs	8MM	18ft/lbs	23ft/lbs
7/16"	45 ft/lbs	60ft/lbs	10MM	32ft/lbs	45ft/lbs
1/2"	65 ft/lbs	90ft/lbs	12MM	55ft/lbs	75ft/lbs
9/16"	95 ft/lbs	130ft/lbs	14MM	85ft/lbs	120ft/lbs
5/8"	135ft/lbs	175ft/lbs	16MM	130ft/lbs	165ft/lbs
3/4"	185ft/lbs	280ft/lbs	18MM	170ft/lbs	240ft/lbs



Compressor Mounting Position Tips

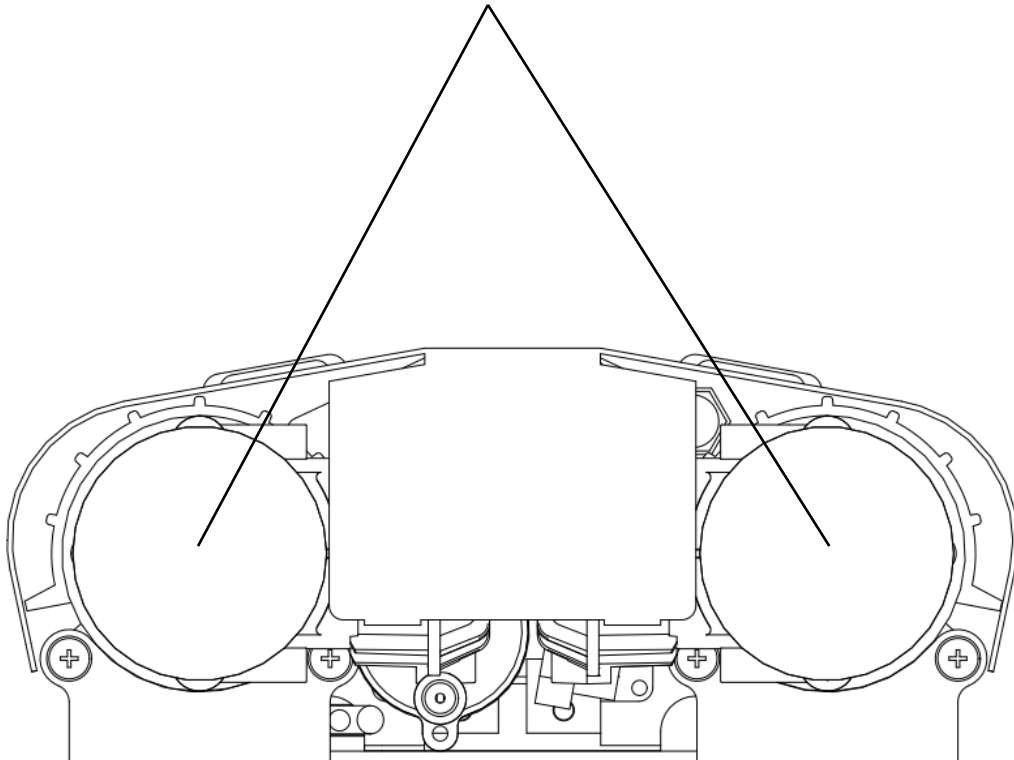
1. We recommend mounting the compressor inside of the vehicle cab.
2. Allow for easy access to the compressor.
3. Avoid sources of heat or extended exposure to direct sunlight.
4. Avoid sources of moisture and make sure the mounting location is high enough to prevent submerging in the event of a deep water crossing.
5. The mounting position must allow the compressor to have a free flow of fresh, dry cool air.
6. The compressor must be mounting securely using all supplied mounting hardware.
7. Do not mount the compressor near devices that are susceptible to electromagnetic fields from DC motors.

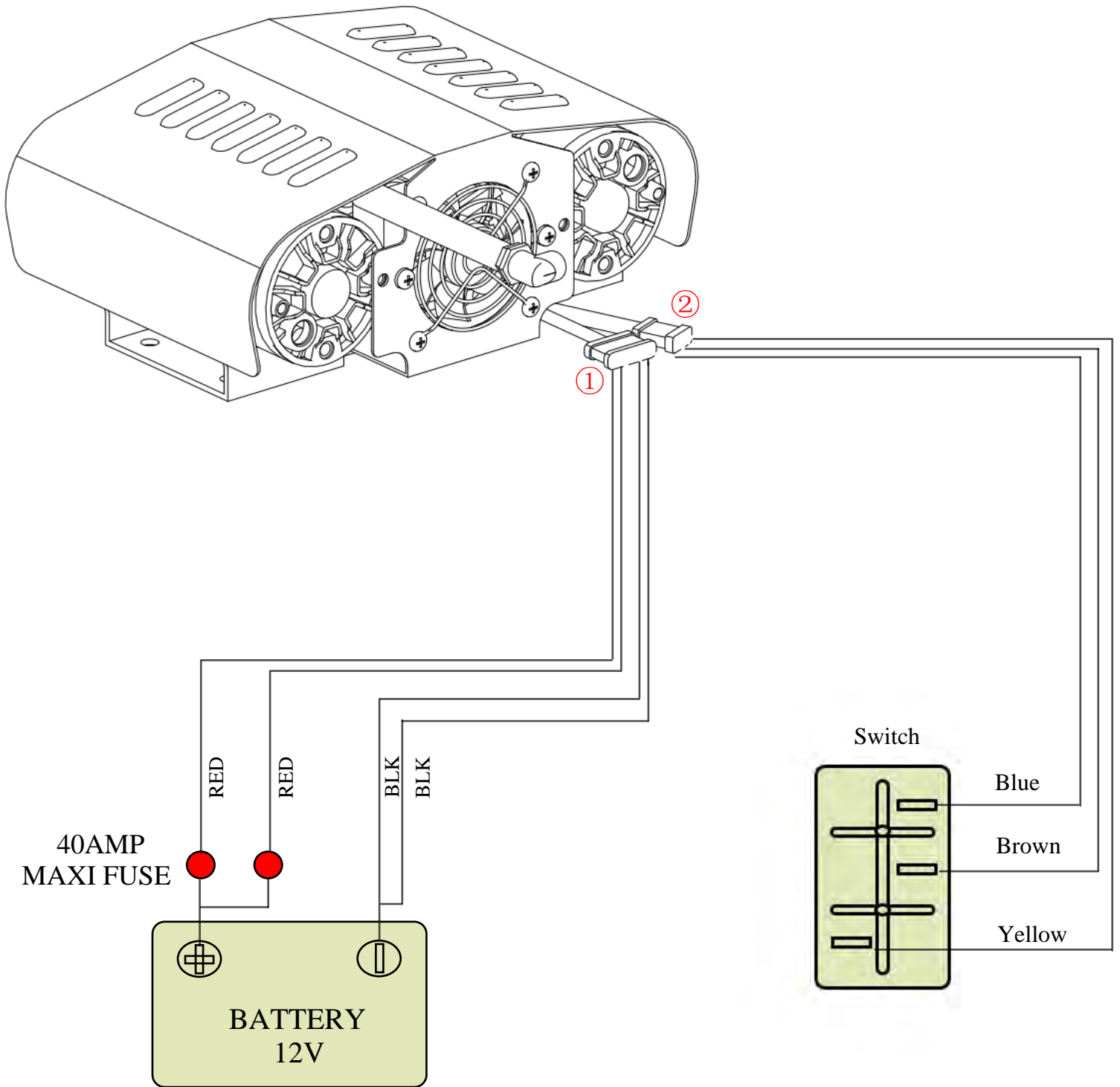
1. **Plug #1** - 5 prong plug connects the compressor to the battery, housing a 40 AMP fuse in each of the positive wires. Connect the black ground wires to the Negative side of the battery.
2. **Plug #2** - 3 prong plug connects the switch to the compressor to turn the compressor On and Off.

Connecting Plug #2 wires to the switch:

1. Top plug Blue.
2. Center plug Brown.
3. Bottom plug Yellow.

Compressor air exit thread:
Removable filters.





By purchasing any item sold by Rough Country, LLC, the buyer expressly warrants that he/she is in compliance with all applicable, State, and Local laws and regulations regarding the purchase, ownership, and use of the item. It shall be the buyers responsibility to comply with all Federal, State and Local laws governing the sales of any items listed, illustrated or sold. The buyer expressly agrees to indemnify and hold harmless Rough Country, LLC for all claims resulting directly or indirectly from the purchase, ownership, or use of the items.



