



Universal Mount for Bed Rack

Thank you for choosing Rough Country for all of your suspension needs.

Rough Country recommends that a certified technician install this system. In addition to these instructions, professional knowledge of disassemble/reassembly procedures as well as post installation checks must be known. Attempts to install this system without this knowledge and expertise may jeopardize the integrity and/or operating safety of the vehicle. Please read all the instructions before beginning the installation. Check the kit hardware against the "Kit Contents" list below. If question exist, please call us @1-800-222-7023. We will be happy to answer any questions concerning this product. Check all fasteners for proper torque. Check to ensure for adequate clearance between all components. Check and retighten wheels at 50 miles and again at 500 miles. Periodically check all hardware for tightness. Be sure you have all the needed parts and understand where they go. Also, please review the "Tools Needed" list to be certain you have the necessary tools to complete the installation.

NOTICE TO DEALER AND VEHICLE OWNER

⚠ WARNING Any vehicle equipped with any Rough country product must have the "Warning to Driver" decal installed on the sun visor or dash. The decal is to act as a constant reminder for whoever is operating the vehicle of its unique handling characteristics. **INSTALLING DEALER**—It is your responsibility to install the warning decal and to forward these installation instructions on too the vehicle owner for review and to be kept in the vehicle for its service life.



Universal Mount for Bed Rack

TOOLS NEEDED:

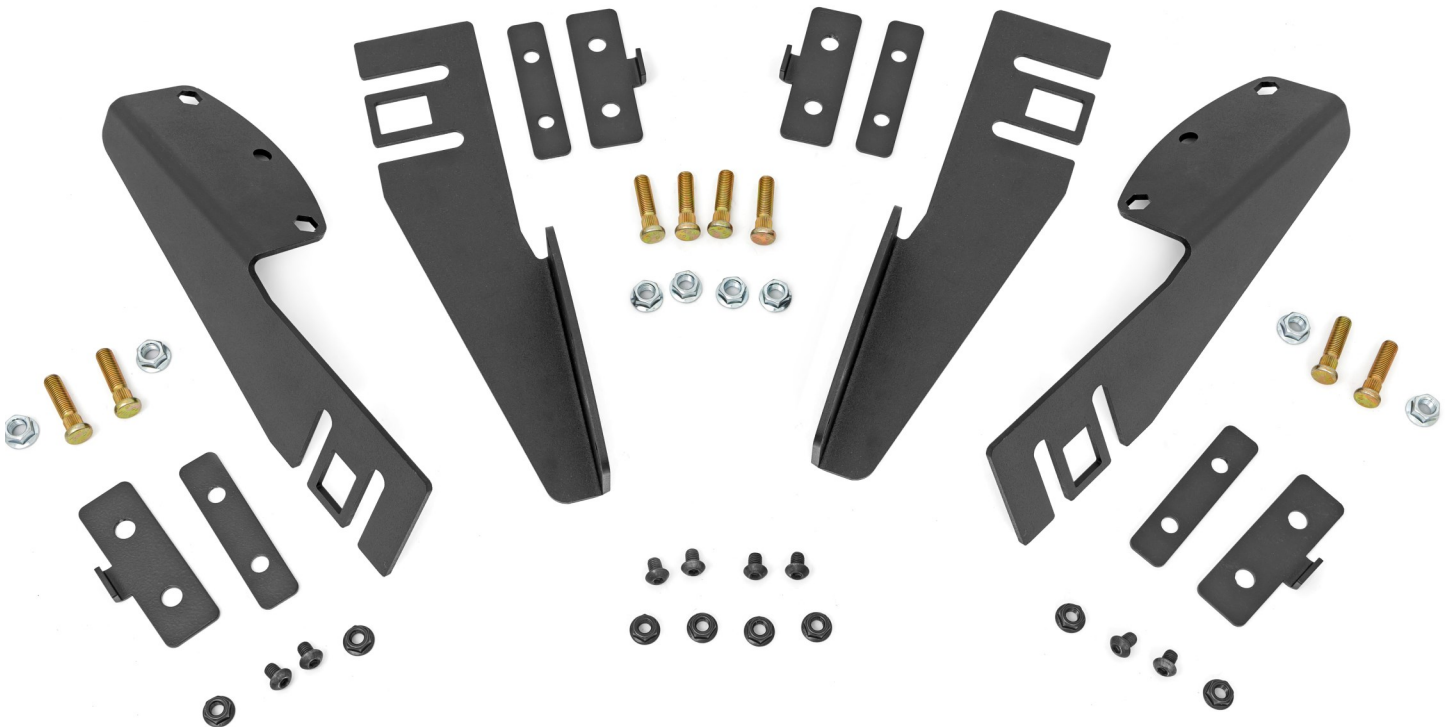
15mm Socket
Ratchet
5mm Hex Wrench
Hammer

KIT CONTENTS:

Bed Rail Bracket #1 (2)
Bed Rail Bracket #2 (2)
Clamp Bracket (4)
Bolt Plate (4)

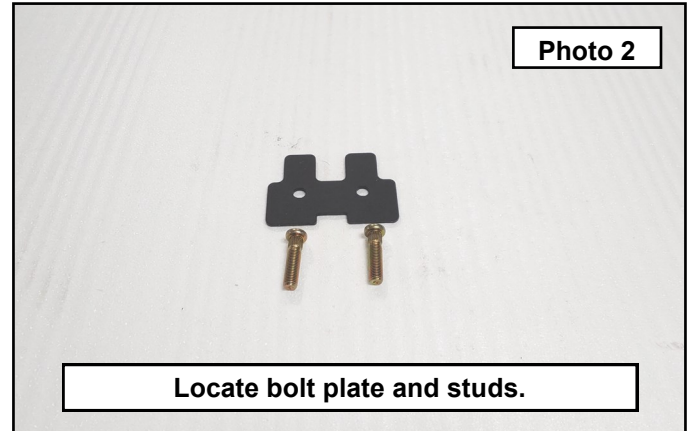
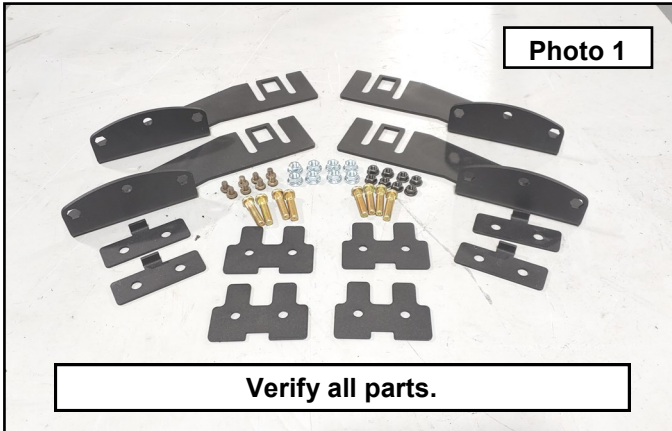
HARDWARE INCLUDED:

8mm x 10mm Button Head Bolt (8)
8mm Flange Nut (8)
10mm Flange Nut (8)
10mm Stud (8)

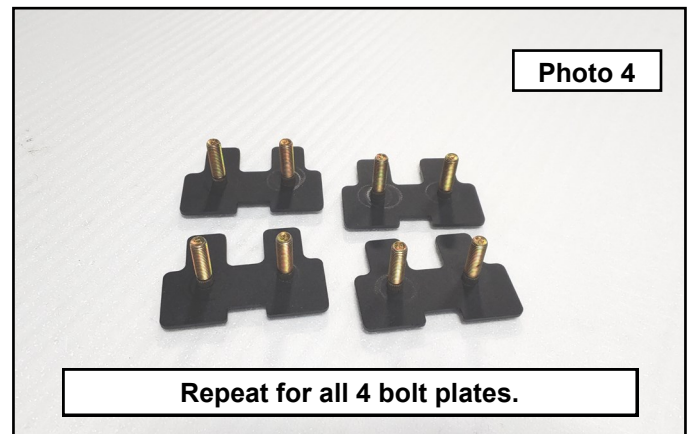
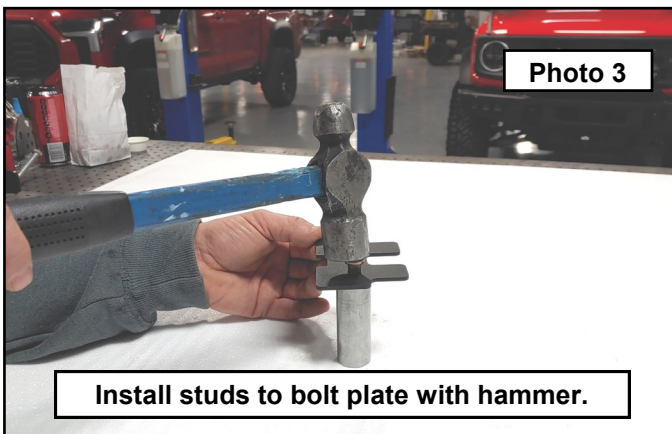


Universal Bed Rack Mount Installation

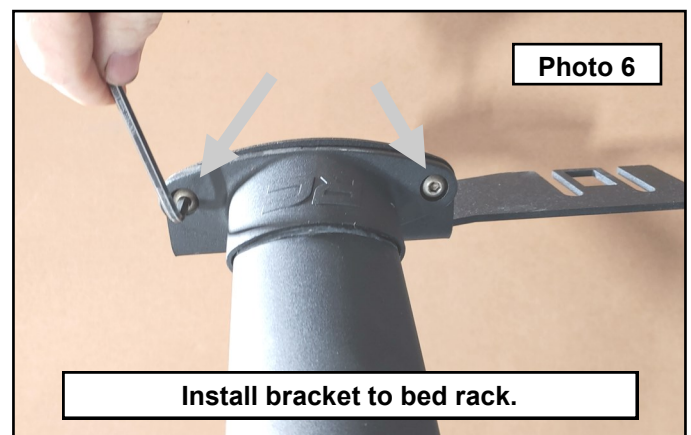
1. Park your vehicle on a clean flat surface, engage the parking brake and block the rear tires.
2. Assemble the Bed Rack using the provided instructions.
3. Verify all the parts in the mounting kit. **Photo 1**
4. Locate the bolt plate and studs. **Photo 2**



5. Use a hammer and the 15mm socket from the tool list to set the stud into the nut plate. Strike the head of the stud until fully seated into the plate using a hammer. Repeat process for all 4 bolt plates. **Photo 3 / 4**



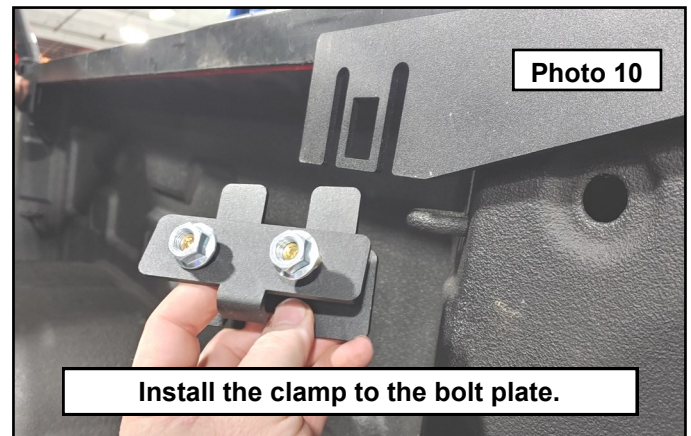
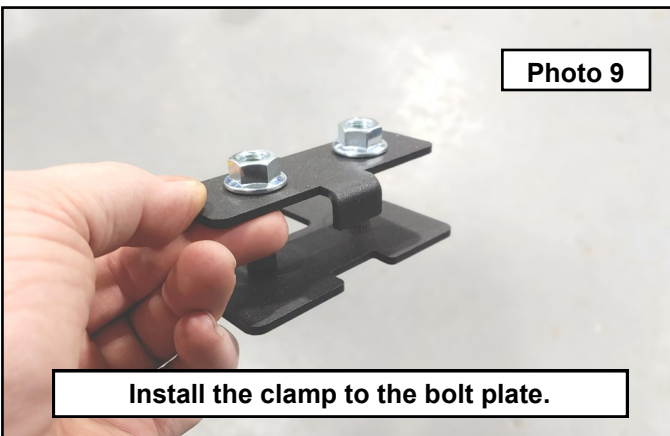
6. Install a 8mm flange nut into the back of the mounting bracket so that the flange is on the bottom of the bracket as shown. **Photo 5**
7. Install the brackets to the assembled bed rack using the provided 8mm button head bolts and 5mm hex wrench. When installing to the bed rack, you will need to install opposite side brackets to the rack so that the offset will face towards each other and to the inside of the bed rails. See next page for clarification. **Photo 6**



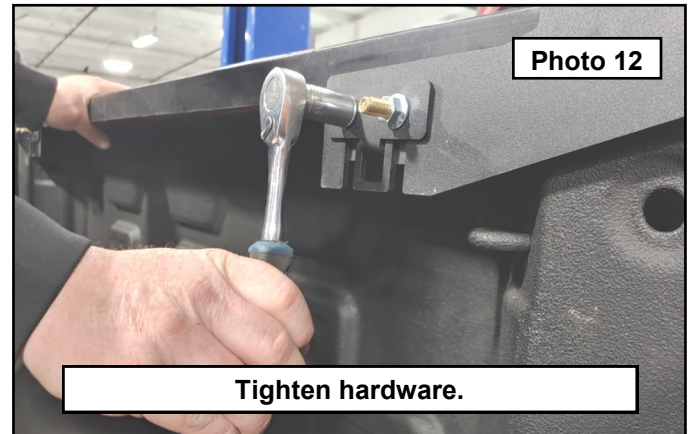
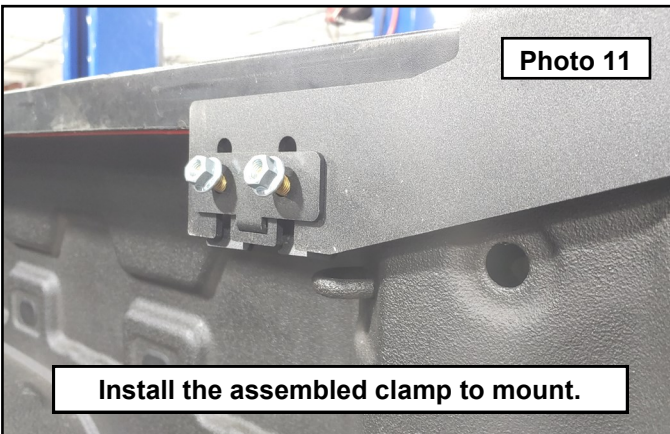
8. Set the bed rack onto the bed of the vehicle making sure the mounts face the inside of the bed and the offsets face each other. **Photo 7 / 8**



9. Install the clamp bracket to the bolt plate using the provided 10mm flange nuts as shown. **Photo 9**
10. Make sure the bolt plate ears are facing up and the clamp plate locking tab are as shown. **Photo 10**



11. Install the assembled clamp and bolt plate to the mounting brackets as shown. Adjust the bed rack so that the clamps will clear any inside obstructions. Slide the clamps up as high as they can go while having the ears of the bolt plate fit behind the bed rails. Make sure the clamps are level and tighten using a 15mm socket. Repeat for all 4 corners. **Photo 11 / 12**



By purchasing any item sold by Rough Country, LLC, the buyer expressly warrants that he/she is in compliance with all applicable , State, and Local laws and regulations regarding the purchase, ownership, and use of the item. It shall be the buyers responsibility to comply with all Federal, State and Local laws governing the sales of any items listed, illustrated or sold. The buyer expressly agrees to indemnify and hold harmless Rough Country, LLC for all claims resulting directly or indirectly from the purchase, ownership, or use of the items.