

ROUGH COUNTRY

SUSPENSION SYSTEMS®

FORD 2017-20 F-250 / 350 Superduty Front Bumper

Thank you for choosing Rough Country for all your vehicle needs.

Please read instructions before beginning installation. Check the kit hardware against the kit contents shown below. Be sure you have all needed parts and know where they go.

If question exist, please call us @1-800-222-7023. We will be happy to answer any questions concerning this product.

Check all fasteners for proper torque. Check to ensure for adequate clearance between all components.

Periodically check all hardware for tightness.

KIT CONTENTS:

20" Single Row LED Light Kit x1
 Cube LED Light Kit x2
 Left LED Bracket x1
 Right LED Bracket x1
 License Plate Bracket x1
 Front Bumper x1

TOOLS NEEDED:

4mm Allen Wrench
 10mm Wrench or Socket
 13mm Wrench or Socket
 15mm Wrench or Socket
 18mm Wrench or Socket

HARDWARE INCLUDED:

License Plate Nylon Nuts x2
 6mm x 20mm Button Head Bolts x2
 6mm Flat Washers x4
 6mm Nylon Lock Nuts x2
 8mm x 16mm Hex Bolts x2
 8mm x 25mm Hex Bolts x2
 8mm Flat Washers x6
 8mm Lock Washers x4
 8mm Hex Nuts x2



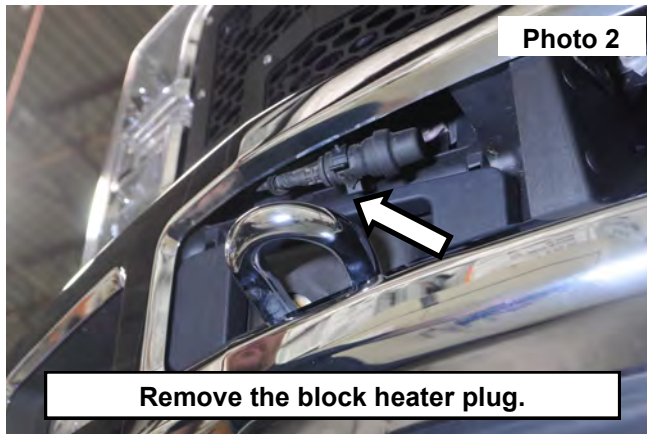
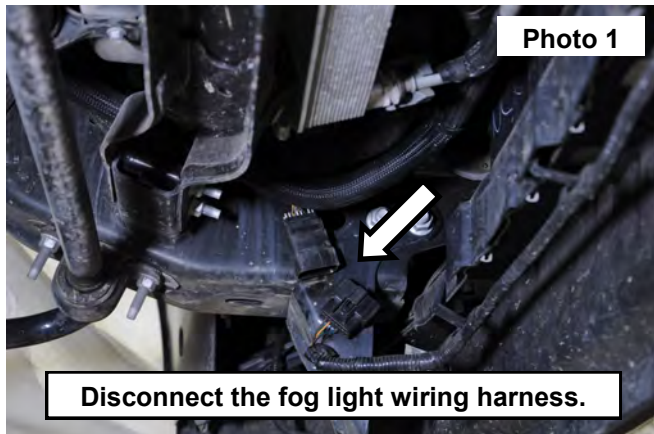
Torque Specs:

Size	Grade 5	Grade 8	Size	Class 8.8	Class 10.9
5/16"	15 ft/lbs	20ft/lbs	6MM	5ft/lbs	9ft/lbs
3/8"	30 ft/lbs	35ft/lbs	8MM	18ft/lbs	23ft/lbs
7/16"	45 ft/lbs	60ft/lbs	10MM	32ft/lbs	45ft/lbs
1/2"	65 ft/lbs	90ft/lbs	12MM	55ft/lbs	75ft/lbs
9/16"	95 ft/lbs	130ft/lbs	14MM	85ft/lbs	120ft/lbs
5/8"	135ft/lbs	175ft/lbs	16MM	130ft/lbs	165ft/lbs
3/4"	185ft/lbs	280ft/lbs	18MM	170ft/lbs	240ft/lbs

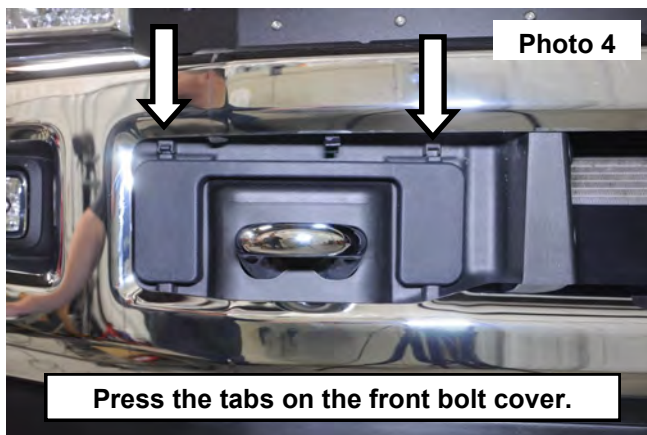
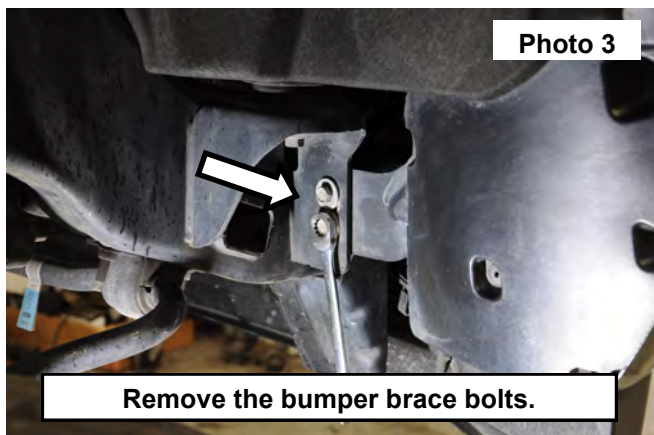


INSTALLATION INSTRUCTIONS

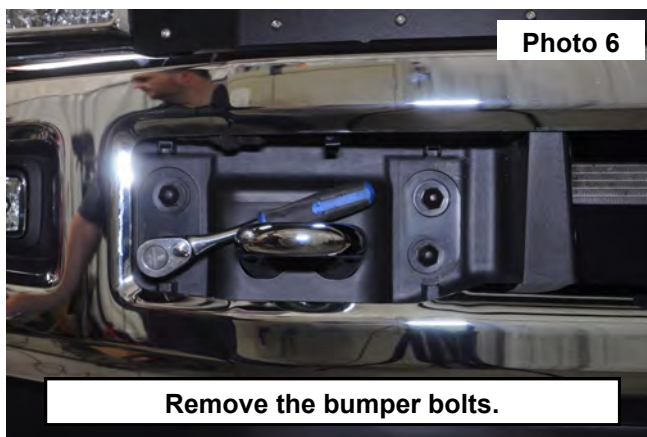
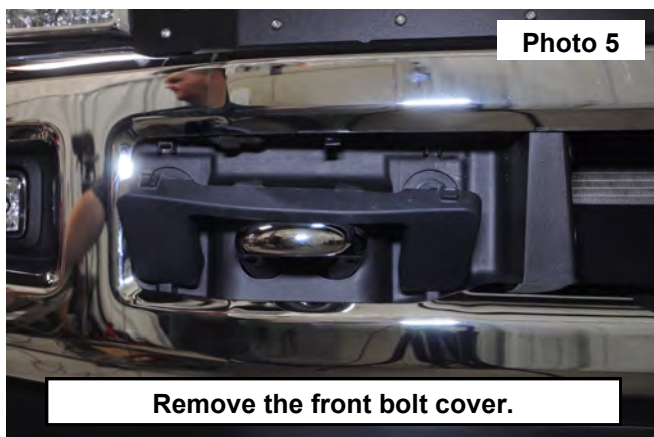
1. If equipped disconnect the fog light wiring harness from the behind the front bumper. **See Photo 1.**
2. Remove the block heater plug from the bumper clip. **See Photo 2.**



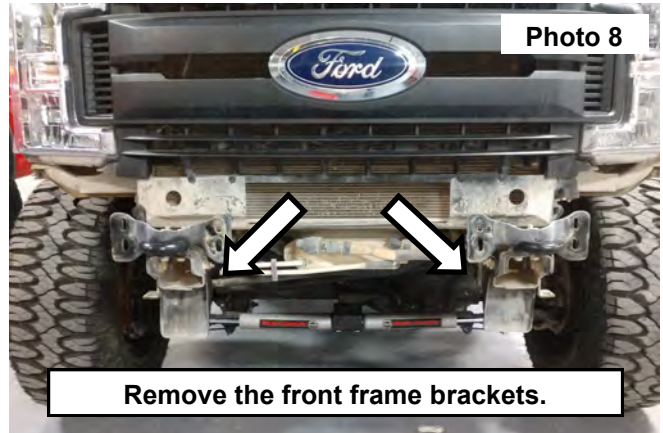
3. Remove the (2) bumper brace bolts in each side of the bumper using a 15mm socket. **See Photo 3.**
4. Locate the (2) tabs on the front bumper bolt cover. **See Photo 4.**



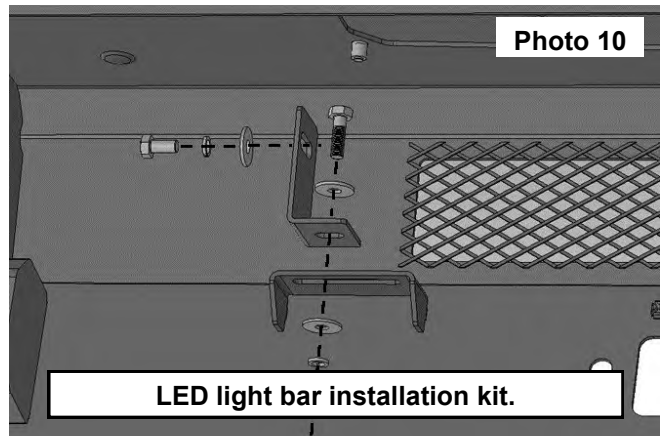
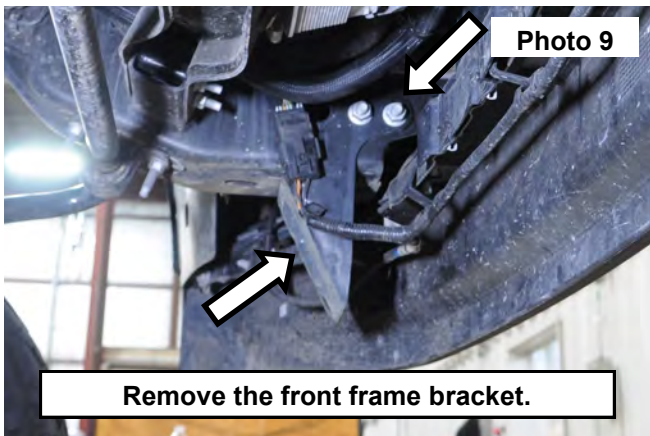
5. Press the tabs down, pulling the cover outward to remove from the bumper. **See Photo 5.**
6. Support the bumper before removing the bolts.
7. Using an 18mm socket remove the (4) bolts in the front of the bumper on the right and the left side of the vehicle. **See Photo 6.**
8. Remove the nut plate on the back side of the bumper mount when removing the front bolts. Retain hardware.



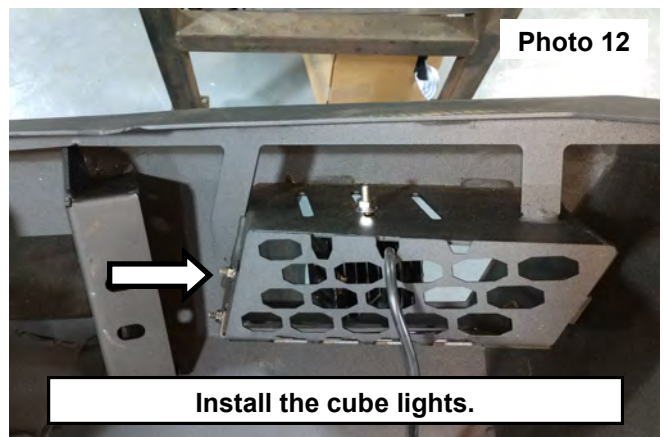
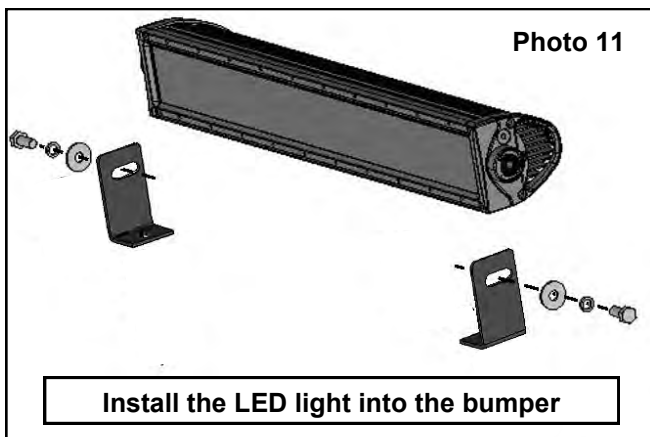
9. Remove the front bumper from the vehicle. **See Photo 7.**
10. Remove the 2 front frame brackets from the vehicle using a 18mm wrench and socket. **See Photos 8 and 9.**



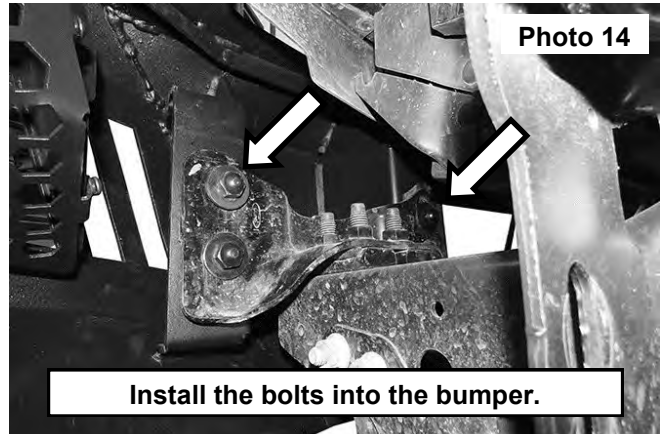
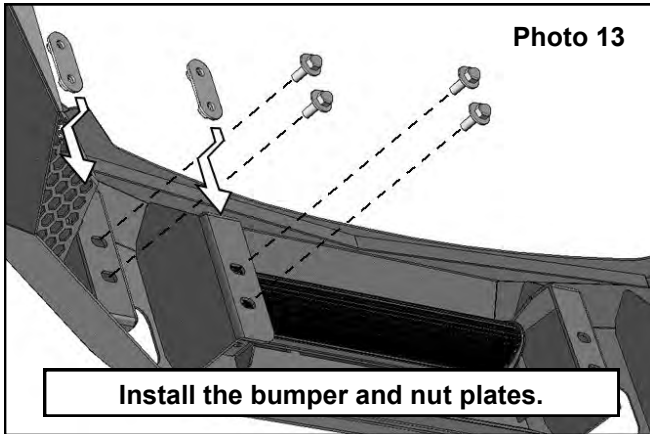
11. Locate the supplied Left and Right offset Center LED light installation brackets and hardware.
12. Install the LED light bar brackets on each side of the bumper using (1) of the supplied 8mm x 25mm Hex Bolt, (2) 8mm Flat Washers, (1) 8mm Lock Washer and (1) 8mm Hex Nut. **See Photo 10.**



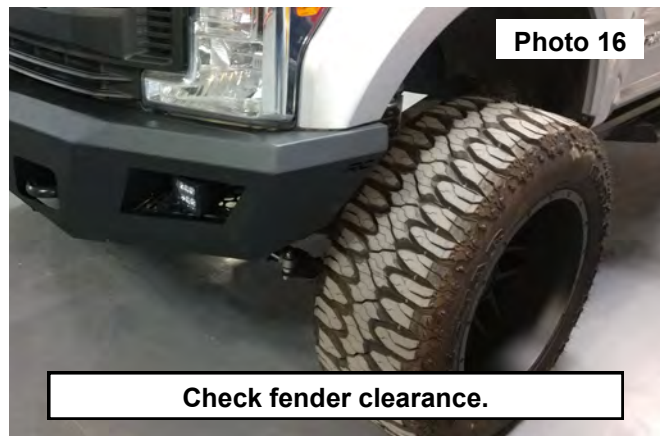
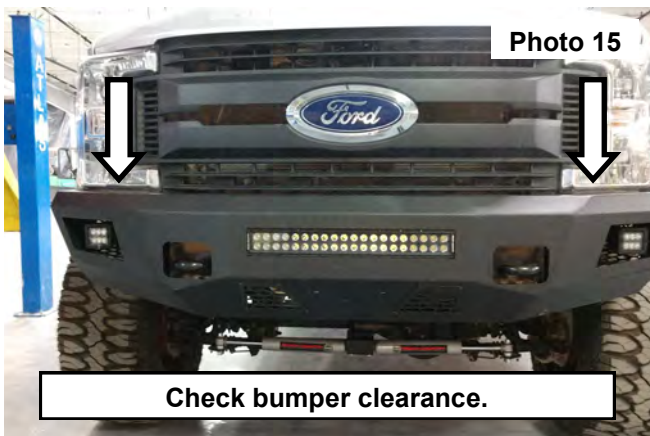
13. Install the LED light bar into the bumper brackets using (1) of the supplied 8mm x 16mm Hex Bolt, (1) 8mm Flat Washers, (1) 8mm Lock Washer on each side. **See Photo 11.**
14. Use a 13mm wrench and socket to tighten the bracket to the bumper.
15. To install the 2" pod mounts, remove the screen if needed to allow the harness and plug to pass through the mesh. Install the lights into each side of the bumper, use the supplied hardware supplied in the cube light kit. If removed install the backing screen on to the bumper. **See Photo 12.**



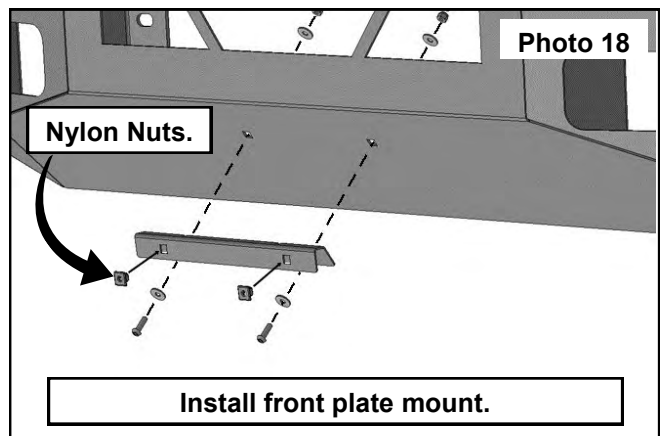
16. Support the bumper to install it onto the vehicle. Do not get under the bumper with out it being supported.
17. Install the bumper onto the OE bumper mounts, using the OE nut plates on the inside of the bumper, place the OE bolt through the bumper bracket, bumper and into the nut plate. **See Photos 13 and 14.**



18. Check that the bumper is level and clearance of the bumper in-between the head lights and the grille. **See Photo 15.**
19. Check the bumper and fender clearance. Then tighten the (8) bumper bolts using an 18mm socket. **See Photos 16 and 17.**



20. Install the front plate bracket if required to display front plate, using (2) of the supplied 6mm x 20mm button head bolts,(4) flat washers and (2) 6mm nylock nuts. Place the (2) nylon nuts into the bracket. **See Photo 18.** Tighten using a 10mm wrench and a 4mm Allen wrench.



21. Install the supplied wiring harnesses for the 20" LED light bar and the Cube lights, use there corresponding instruction sheets for installation.
22. Connect the 20" LED light and the cube light plugs on the installed harnesses.

By purchasing any item sold by Rough Country, LLC, the buyer expressly warrants that he/she is in compliance with all applicable, State, and Local laws and regulations regarding the purchase, ownership, and use of the item. It shall be the buyers responsibility to comply with all Federal, State and Local laws governing the sales of any items listed, illustrated or sold. The buyer expressly agrees to indemnify and hold harmless Rough Country, LLC for all claims resulting directly or indirectly from the purchase, ownership, or use of the items.

