

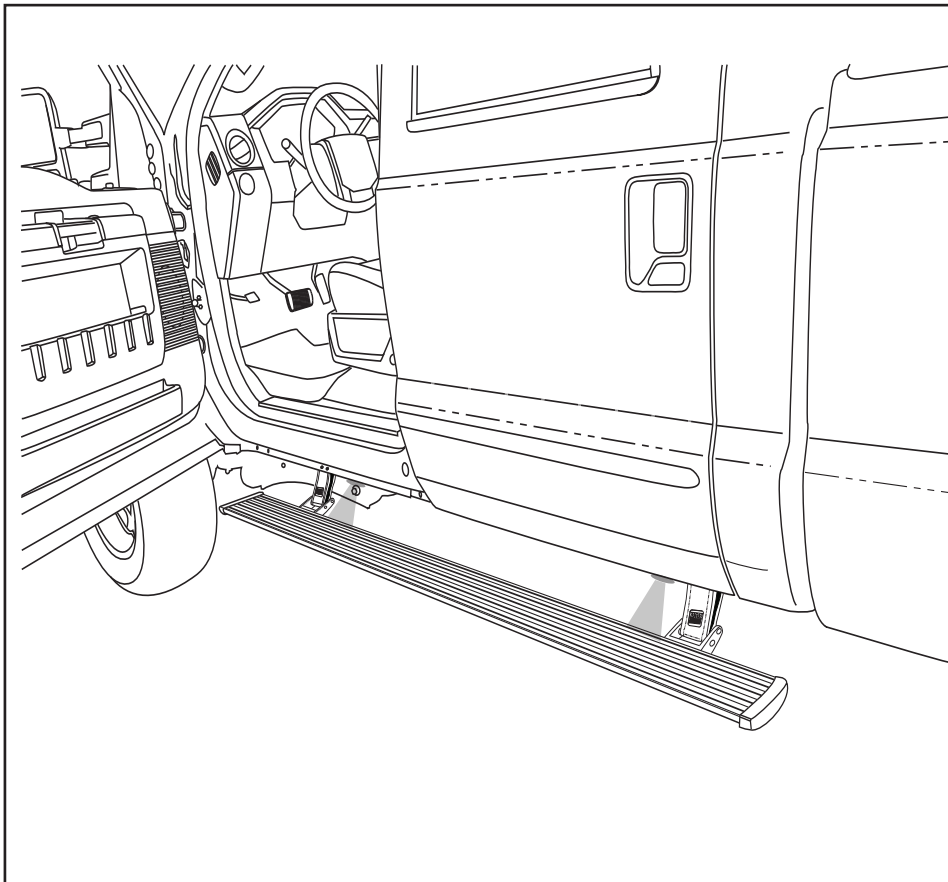
INSTALLATION GUIDE

AMP RESEARCH Power Step

MADE IN USA

APPLICATION	LENGTH	MODEL YR	PART #
Ford F-250 / F-350 / F-450 Regular Cab *	(48")	2008-2016	76234-01A
Ford F-250 / F-350 / F-450 Super Cab *	(60")	2008-2016	76234-01A
Ford F-250 / F-350 / F-450 Crew Cab	(79")	2008-2016	76234-01A

*Modification required to running board assembly. See Item 1 on page 3.



INSTALLATION TIME

2-3 Hours

Professional installation recommended

SKILL LEVEL



4= Experienced

TOOLS REQUIRED

- Safety goggles
- Measuring tape
- Flat blade screwdriver
- Phillips head screwdriver
- 13mm socket
- 8mm socket
- Ratchet wrench and extension
- Wire crimpers
- Wire stripper / cutter
- 3/16" hex key (allen wrench)
- 4mm hex key (allen wrench)
- Electrical tape
- Silicone caulking (sealer)
- 25/64" Drill Bit
- 9/32" Drill Bit

WARRANTY

5-Year Limited Warranty

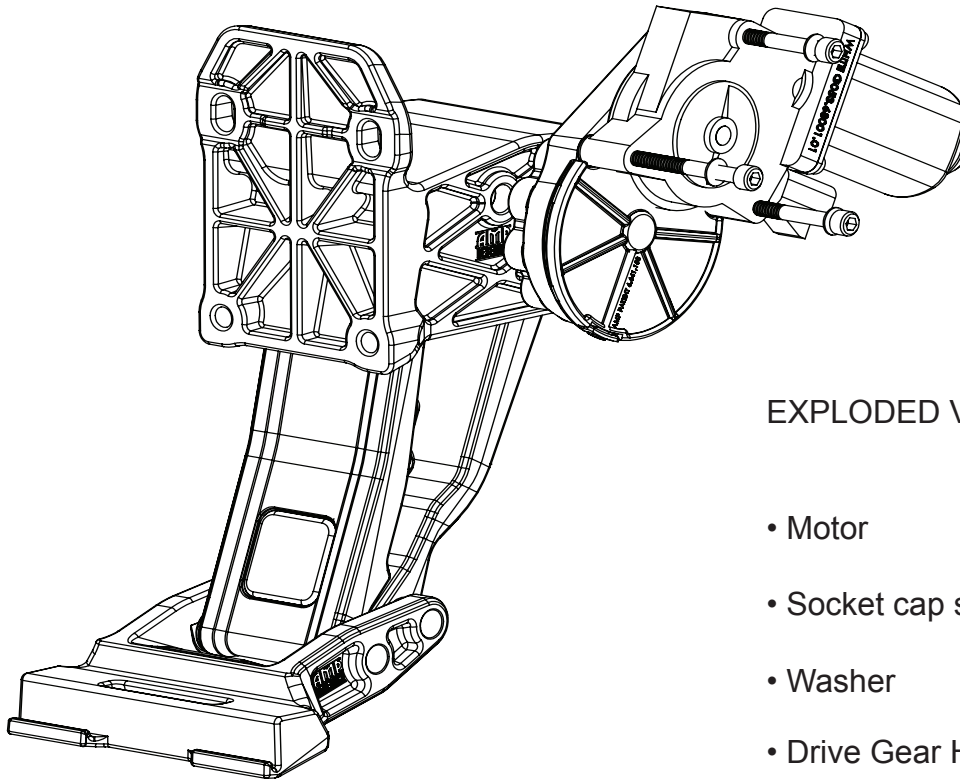
AMP RESEARCH TECH SUPPORT 1-888-983-2204 (Press 2) Monday - Friday, 7:00 AM - 5:00 PM PST

Invented, engineered and manufactured exclusively by AMP Research in the USA. May be covered by one of the following patents: 6,641,158; 6,830,257; 6,834,875; 6,938,909; 7,055,839; 7,380,807; 7,398,985; 7,584,975 ©2012 AMP Research. All rights reserved. Printed in USA.

INSTALLATION GUIDE

Attaching motor to linkage assembly

The motors must be attached to the linkage assemblies before continuing the installation process.



EXPLODED VIEW

- Motor
- Socket cap screw
- Washer
- Drive Gear Housing Cover

CAUTION: HANDLE WITH CARE.

To ensure our customers receive all components with full integrity, we pack the motors separate from their linkage assemblies. This requires that the installer position and fasten the motor before continuing with the install. Please follow the instructions below and handle the assembly carefully.

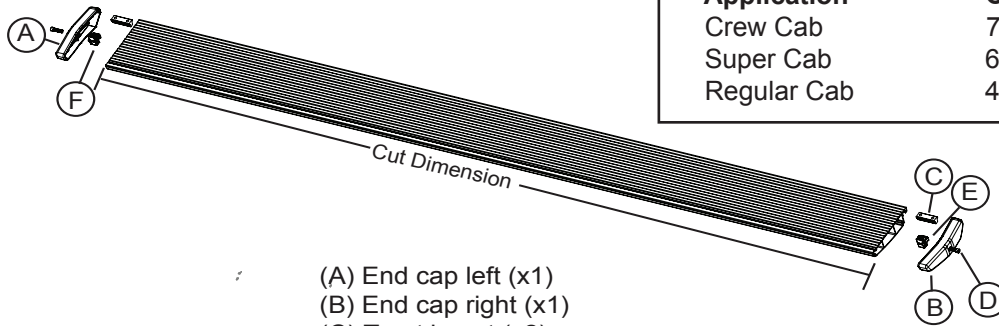
CAUTION: Dropping the assembly or any excessive impact MAY cause damage to the motor.

Instructions:

1. Position the gear cover in place as shown if not already in place.
2. Seat motor into position on the three mounting bosses. This may require an adjustment of the gear by moving the swing arms.
3. After seating into place, fasten the motor with the three motor mount screws with 4mm Hex Head. Tighten screws to 36 in-lbs (4N-m). **Do not over torque.**

Note: Some Applications require modification.

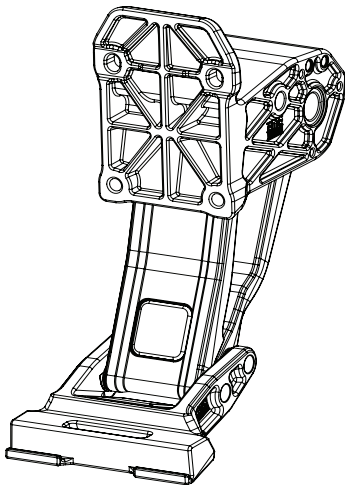
Application	Cut Length
Crew Cab	79" (No Modification Required)
Super Cab	60" (Trim 19")
Regular Cab	48" (Trim 31")



- (A) End cap left (x1)
- (B) End cap right (x1)
- (C) T-nut insert (x2)
- (D) Socket cap screw (x2)
- (E) End cap wedge right (x1)
- (F) End cap wedge left (x1)

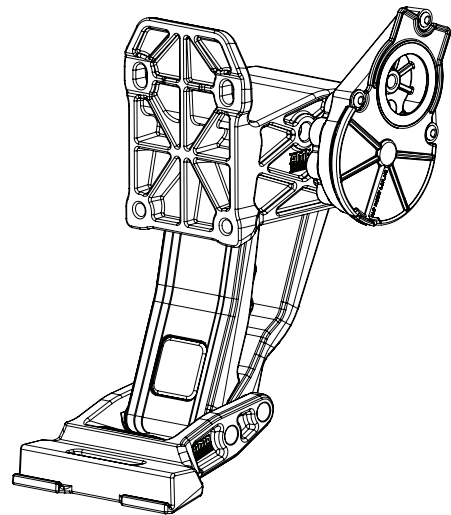
1 x2

Running board assembly



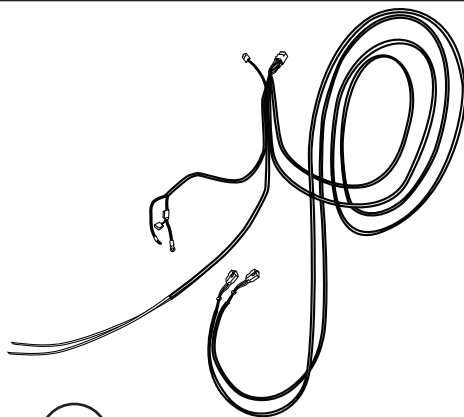
2 x2

Idler linkage assembly



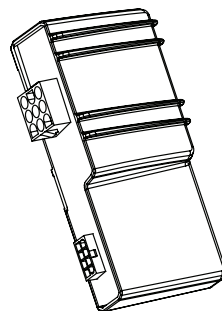
3 x2

Motor linkage assembly



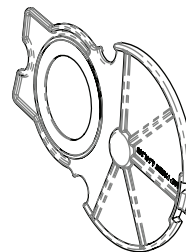
4

Wire harness



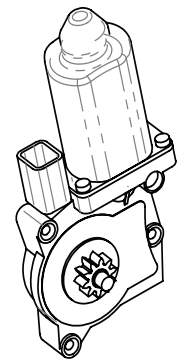
5

Controller STA



6 x2

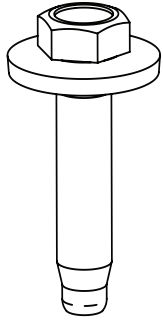
Gear Cover



7 x2

Motor

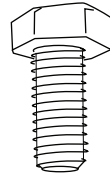
PARTS LIST AND
HARDWARE
IDENTIFICATION



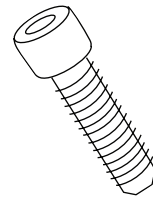
8 x8
Conical Bolt



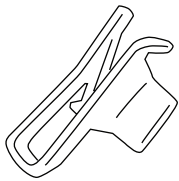
9 x8
Button head - M10



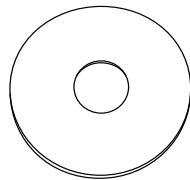
10
Hex head screw



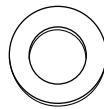
11 x8
Socket cap screw



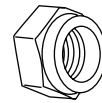
12 x8
U-nut



13
Large OD Washer



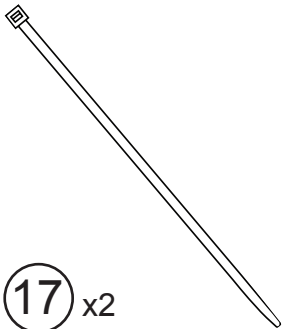
14 x8
M10 Washer (stainless)



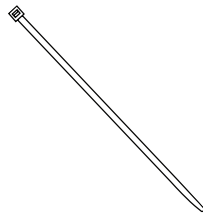
15
Nylock nut-M8



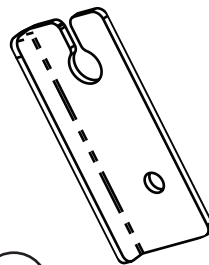
16
Nylock nut-M6



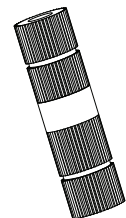
17 x2
Cable tie (11")



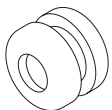
18 x20
Cable tie (7")



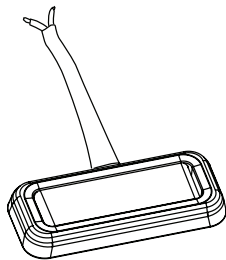
19
Brake cable bracket



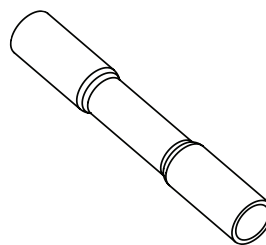
20 x2
Posi-Lock®



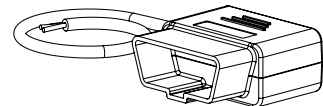
21 x4
Grommet



22 x4
LED Lamp

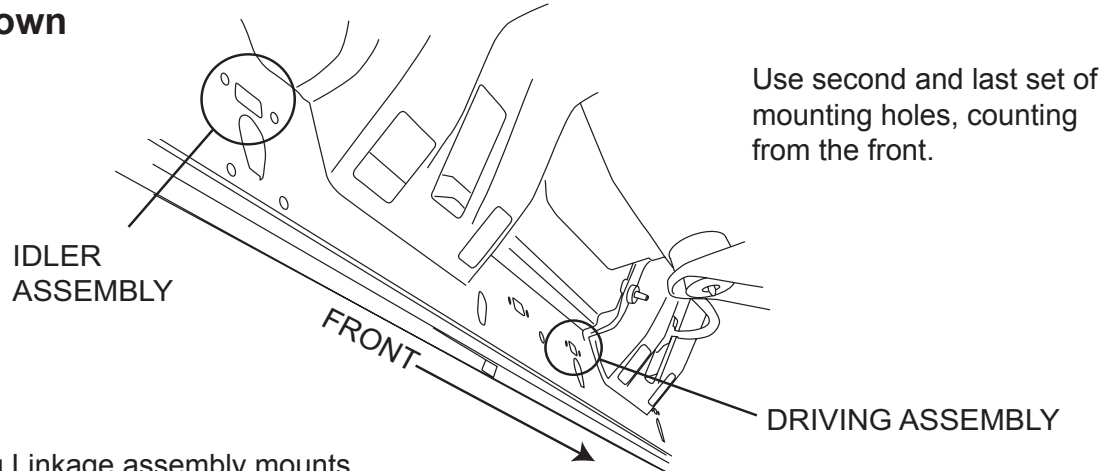


23 x8
Butt connector



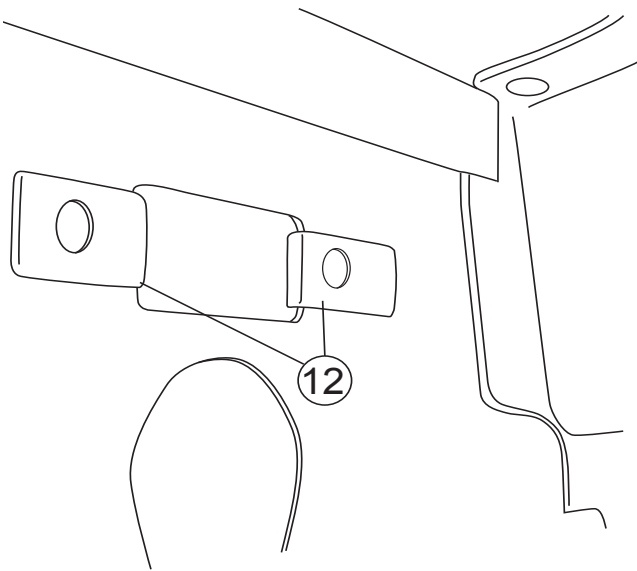
24
OBD II Plug

Driver Side Shown



NOTE: Driving Linkage assembly mounts in the front; idler mounts in the rear.

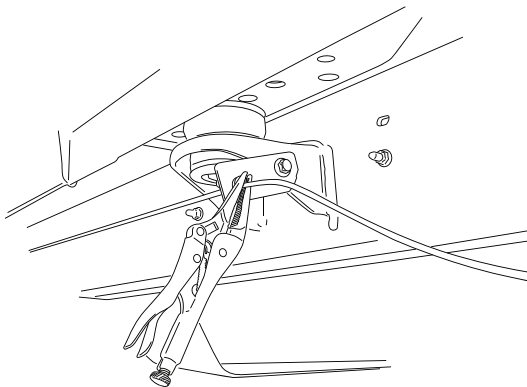
1



2

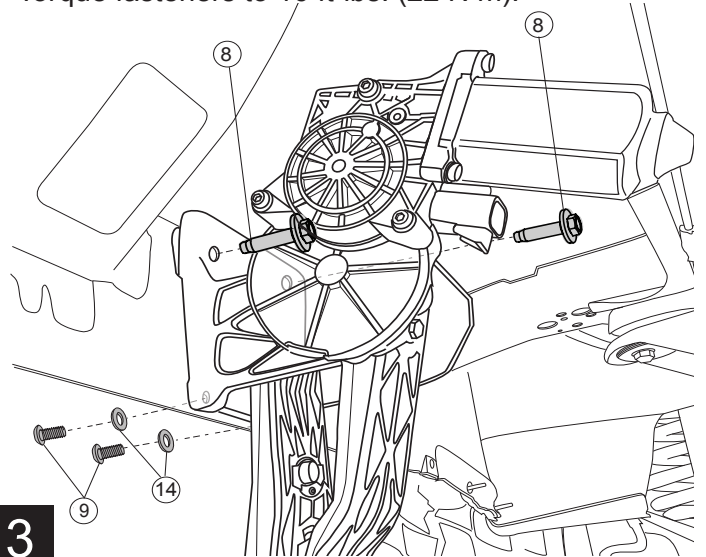
Disengage parking brake.

Pull parking brake cable rearward from forward support bracket to create slack in cable. Secure cable slack with locking pliers.



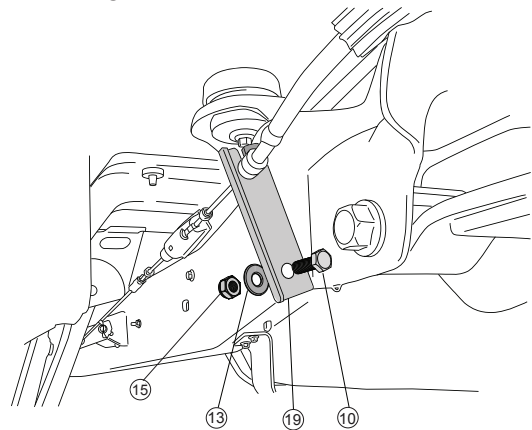
4

Torque fasteners to 16 ft-lbs. (22 N m).



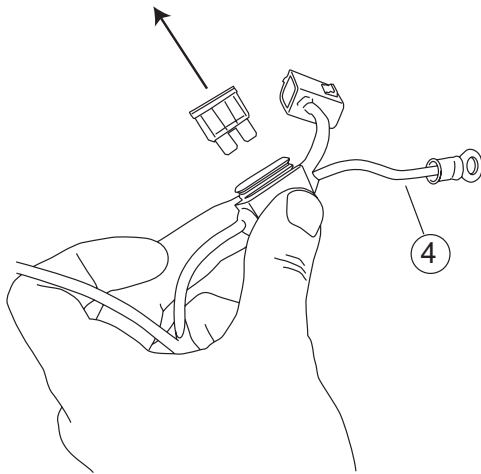
3

Remove cable from rear support bracket and install cable bracket extension with large washer on front side of bracket. Re-install parking brake cable and remove locking pliers.



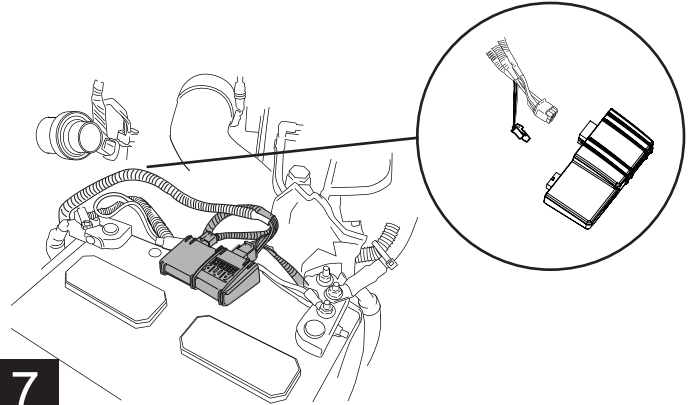
5

Remove fuse from harness.



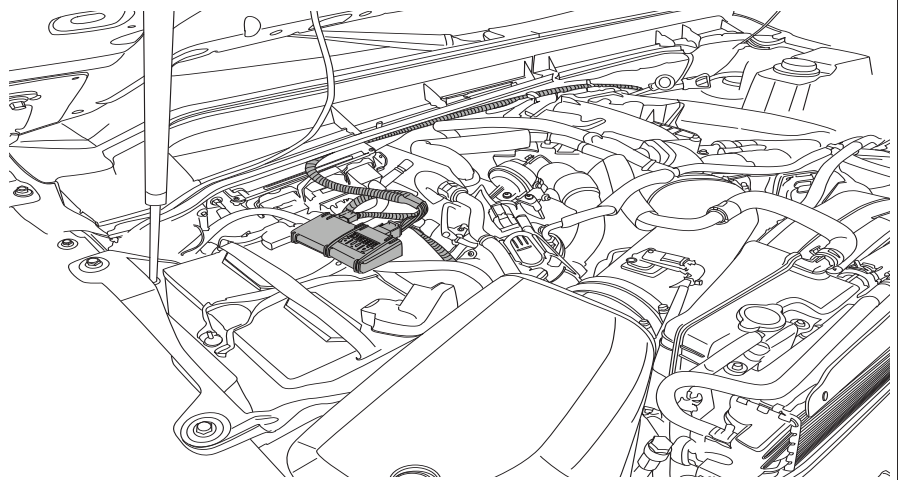
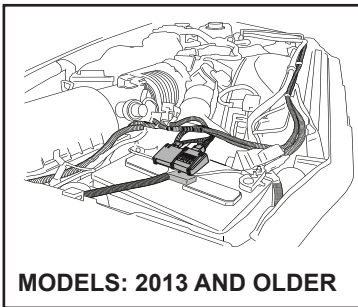
6

Secure controller to vehicle wire loom beside battery (on passenger side) and connect both Power Step wire harness connectors to connectors on controller. Secure locking tabs on connectors.



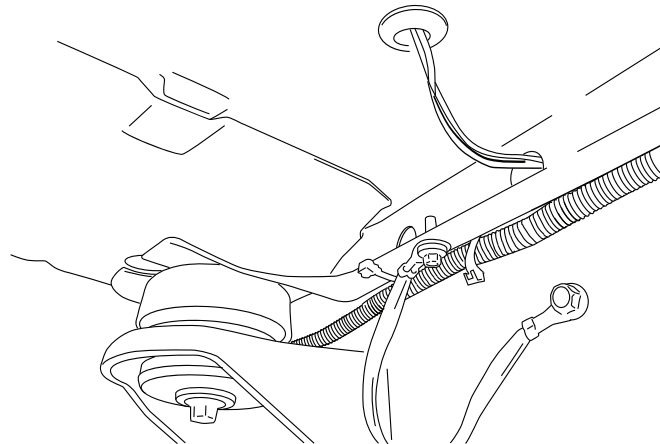
7

Connect power and ground for controller to battery, Red to positive and Black to the negative lead. Route harness legs down over wheel wells toward motor linkages, long leg across front and over to driver side. Secure all loose sections of the harness with cable ties.



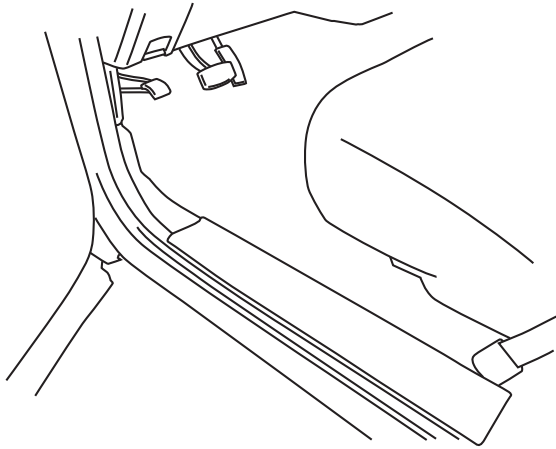
8

Run wire legs down and along underside of vehicle floor, securing with tie wraps. Run trigger wires (2) on Drivers side through grommet as shown below.



Driver-Side

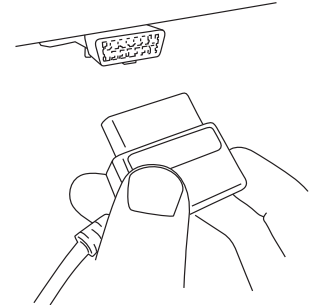
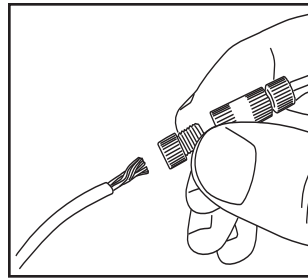
9



10

Open driver door and remove sill plate and kick panel.

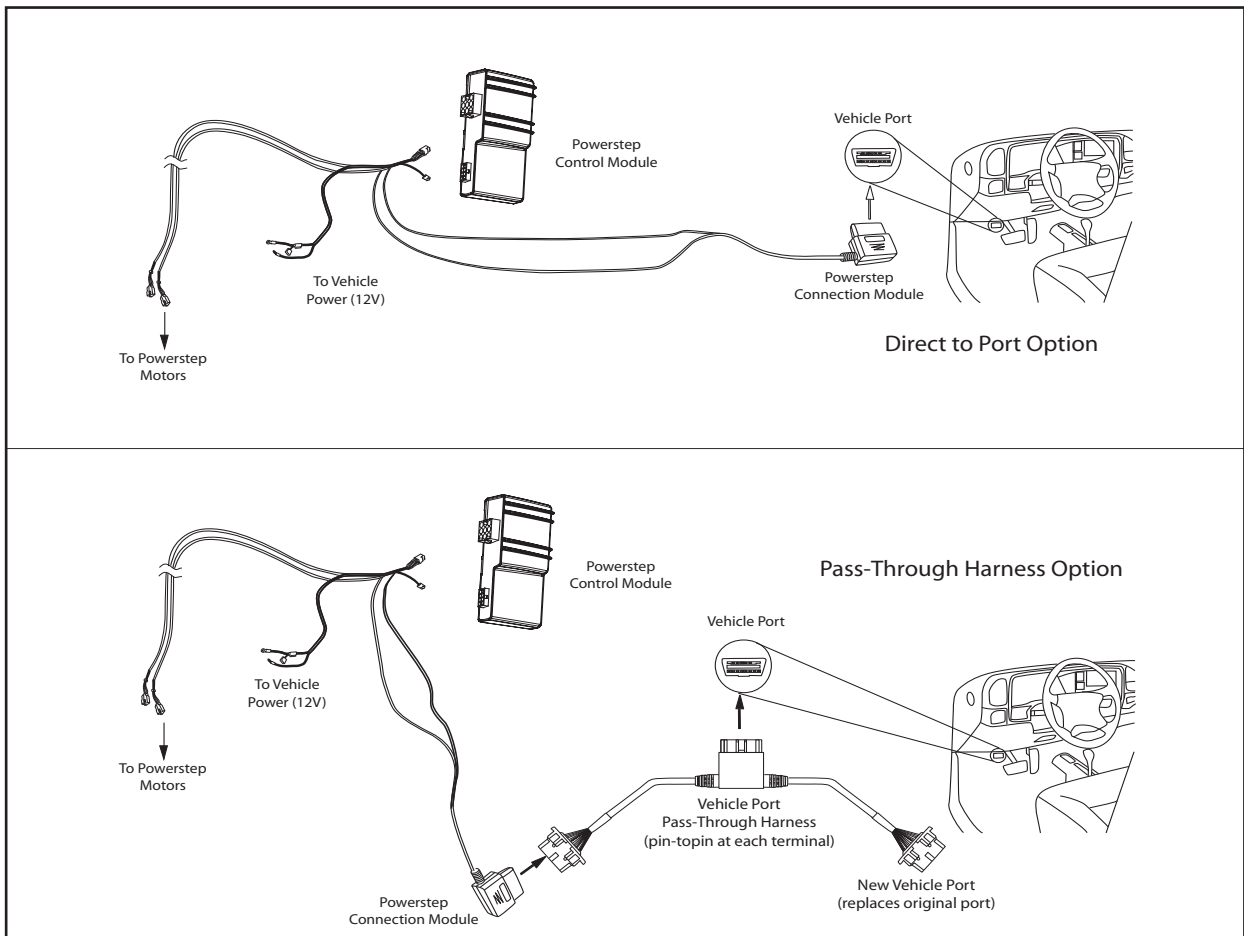
Wire OBD II connector with Posi-Splice and plug into port.



11

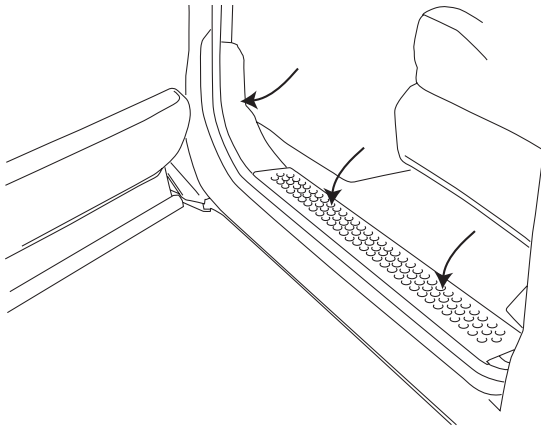
OBD II install: Use Supplied Posi Twist connectors to attach the Plug and Play Module to the Harness. Attach matching colors on the harness to the wires on the module. Plug in module to OBD II port on the vehicle. Secure harness with supplied tie wraps.

Note: If the OBD II pass thru harness (76404-01A) was purchased see install sheet supplied in packaging. The pass through harness allows for an open port for other accessories. See below for a brief description.

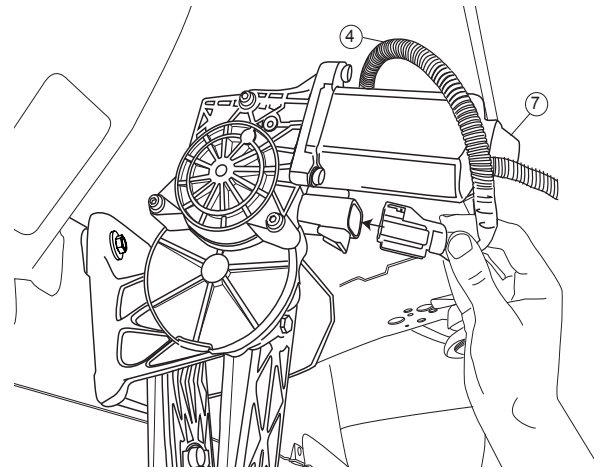


12

Secure wires and replace kick panel and sill plate. Be careful not to pinch any wires when replacing panels.



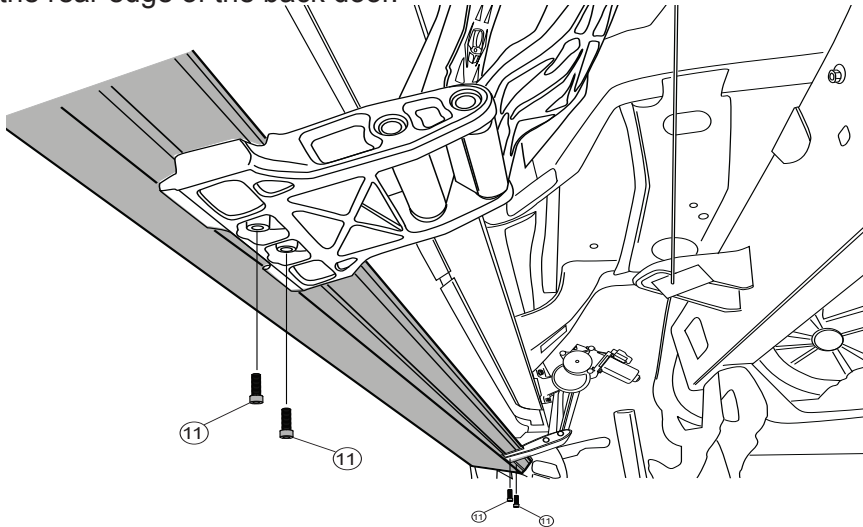
Plug in motors (both sides). Route remaining LED light wires back towards rear of vehicle.



13

14

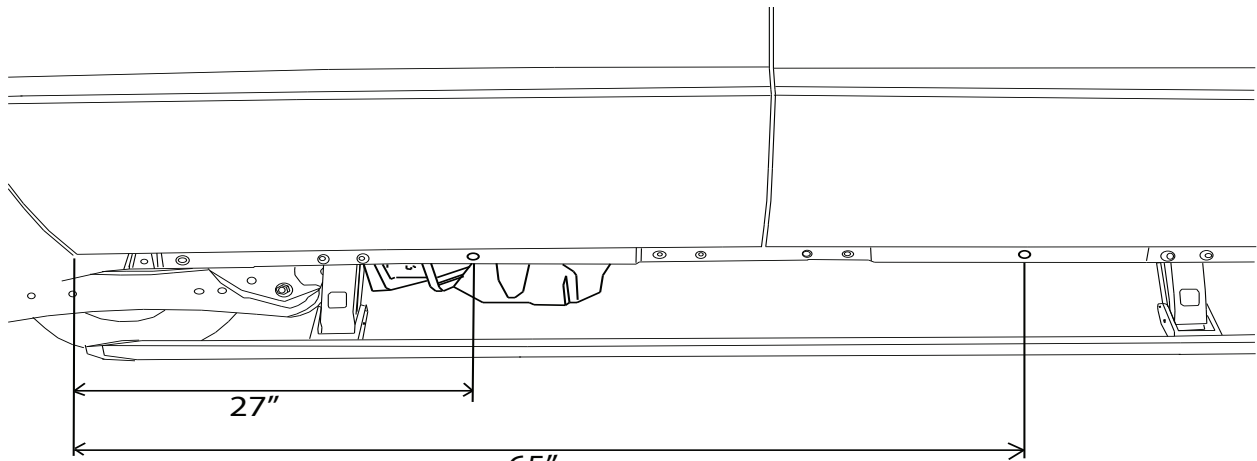
Slide mounting T-nut into position. Mount Board and tighten fasteners to 10ft-lbs. Align the end of the board with the rear edge of the back door.



TORQUE
10 ft-lbs. (13.5 Nm)

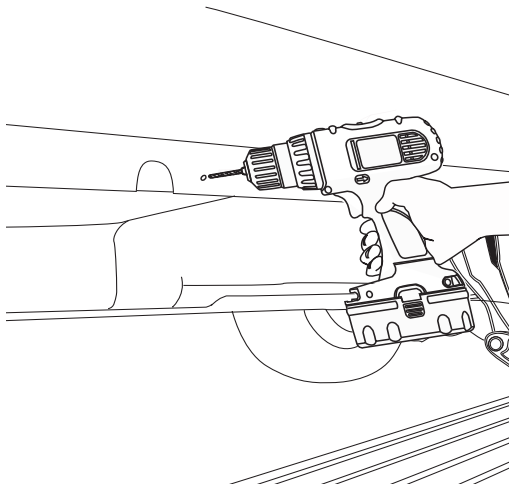
15

On each side of the vehicle measure from the front edge of door line on the pinch weld to the specified lengths below. Measure at 27" for front LED Light and 65" for rear LED Light.



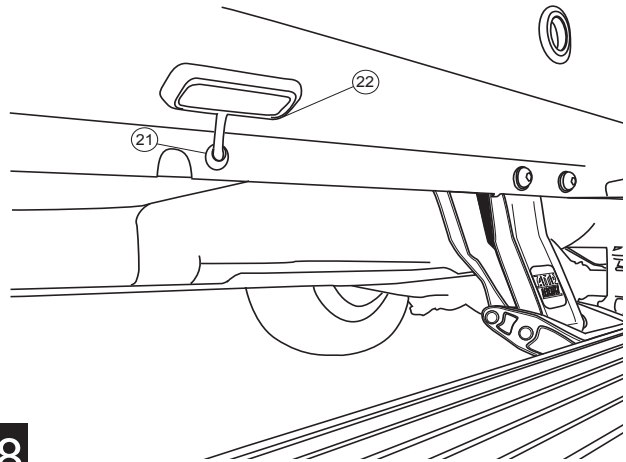
16

Drill a 9/32" hole through the pinch weld at marked locations. Deburr all holes.



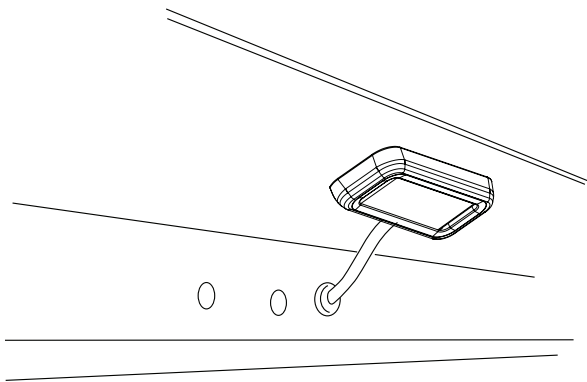
17

Insert grommet into drilled holes. Insert lamp wires through the grommets. (Silicon lube will help wires slip through grommets.)



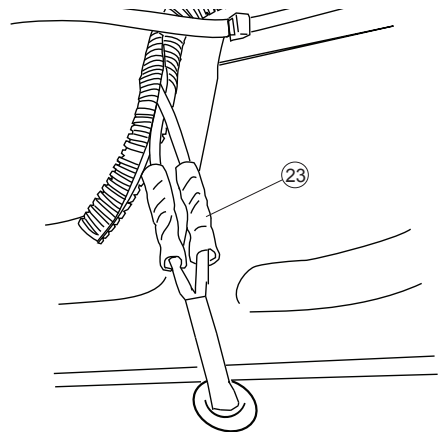
18

Affix lamp to rocker panel surface. Make sure lamp is affixed to a flat, clean surface.



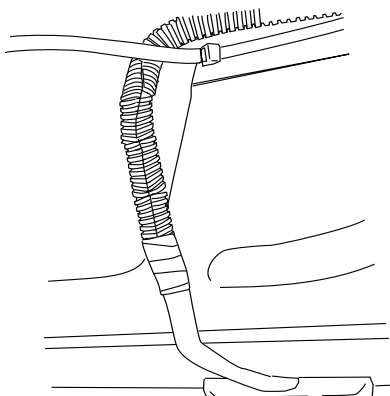
19

Using supplied butt connectors, connect the lamp wires. Red to Red, Black to Black. Once Crimped use heat gun to shrink tube.



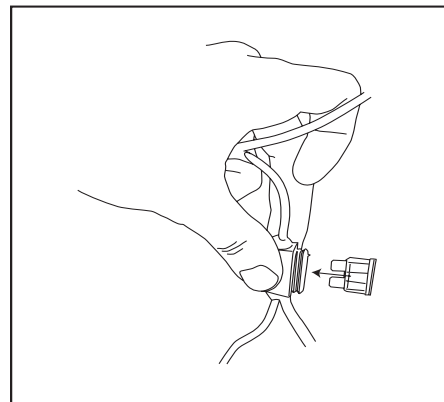
20

Close and wrap with conduit and electrical tape. Secure all loose wires with cable ties, with lamp wires pulled upward to avoid any wire snagging.



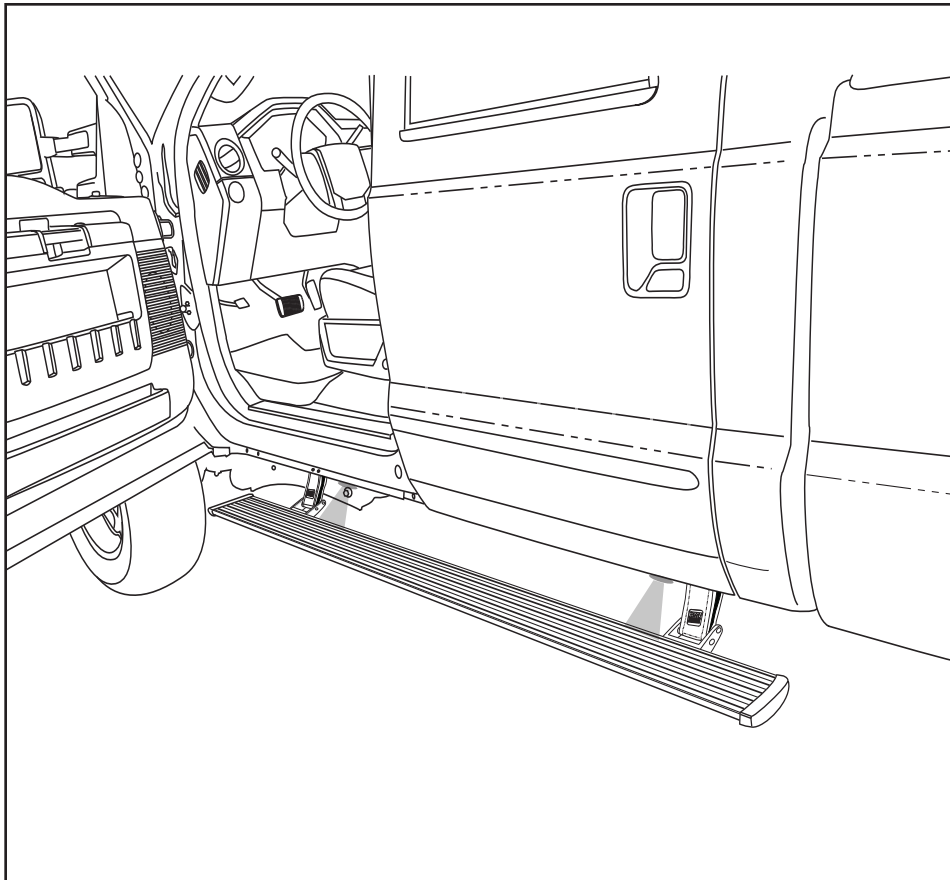
21

Reinstall the fuse.



22

Check that all doors activate the Power Step and the LED Lights work when doors open and close. Reinstall any remaining trim panels.



FINAL SYSTEM CHECK

Check that all doors activate the PowerStep and the LED lights work when doors open and close.

NORMAL OPERATION: When the doors open, PowerStep automatically deploys from under the vehicle. When the doors are closed, PowerStep will automatically return to the stowed/retracted position. ***Note that there is a 2-second delay before the PowerStep returns to the stowed/retracted position.***

CORRECT OPERATION OF LIGHTS: All four lamps will illuminate upon opening any door of vehicle. Lamps will stay on until restowing of both Power Steps or until 5 minutes has expired with the doors open. When the lights timeout after 5 minutes, they can be reilluminated by closing and opening any door of vehicle.



PowerStep™

AMERICAN DESIGNED, ENGINEERED AND MANUFACTURED.

Thank you for your recent AMP Research Purchase.

**REGISTER YOUR PRODUCT TODAY FOR
FASTER SERVICE & PRODUCT UPDATES**

Please visit:

www.amp-research.com/productregistration

or scan the QR Code



(A) SCAN ME

Product Registration Benefits:

- Ensure we have your purchase receipt and product info in our system which is required for warranty
- Faster and easier access to customer service and tech support in the unlikely event you need warranty or product support
- Registration helps us keep you up to date on product information and offers

To view other Amp Research products that may be offered for your vehicle.

Please visit: www.amp-research.com

Rev 01.05.21

POWER-DEPLOYABLE RUNNING BOARDS OPERATION: AMP Research PowerStep running boards automatically move when the doors are opened to assist entering and exiting the vehicle.



Automatic power deploy:

The running boards will extend down and out when the doors are opened.

Automatic power stow:

The running boards will return to the stowed position when the doors are closed. There will be a 2-second delay before the running boards move to the stowed position.

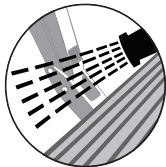
Automatic stop:

If an object is in the way of the moving running board, the running board will automatically stop. To reset, clear any obstruction, then simply open and close the door to resume normal operation.



Manually set in the deployed (OUT) position for access to the roof:

The running boards can be manually set in the deployed position by firmly holding the step down with your foot while at the same time closing the door. To resume normal operation, open and close the door.



Maintenance: In adverse conditions, debris such as mud, dirt, and salt may become trapped in the running board mechanism, possibly leading to unwanted noise. If this occurs, manually set the running boards to the deployed position and flush the front and rear hinge arms with a high-pressure car wash wand. Avoid spraying the motors directly. After washing, apply silicone spray lubricant to the hinge pivot pins. Do not apply silicone, wax or protectants like Armor All® to the running board stepping surface.

Caution! Keep hands away when the running board is in motion.

5-YEAR LIMITED WARRANTY

AMP RESEARCH warrants this product to be free from defects in material and workmanship for FIVE (5) YEARS FROM DATE OF PURCHASE, provided there has been normal use and proper maintenance. This warranty applies to the original purchaser only. All remedies under this warranty are limited to the repair replacement of the product itself, or the repair or replacement of any component part thereof, found by the factory to be defective within the time period specified. The decision to repair or replace is wholly within the discretion of the manufacturer.

This warranty specifically excludes labor. If you have a warranty claim, first you must call our factory at the number below for instructions. You must retain proof of purchase and submit a copy with any items returned for warranty work. Upon completion of warranty work, if any, we will return the repaired or replaced item or items to you freight prepaid. Damage to our products caused by accidents, fire, vandalism, negligence, misinstallation, misuse, Acts of God, or by defective parts not manufactured by us, is not covered under this warranty.

ANY IMPLIED WARRANTIES OF MERCHANTABILITY AND/OR FITNESS FOR A PARTICULAR PURPOSE CREATED HEREBY ARE LIMITED IN DURATION TO THE SAME DURATION AND SCOPE AS THE EXPRESS WRITTEN WARRANTY. OUR COMPANY SHALL NOT BE LIABLE FOR ANY INCIDENTAL OR CONSEQUENTIAL DAMAGE.

Some states do not allow limitations on how long an implied warranty lasts, or the exclusion or limitation of incidental or consequential damages, so the above limitations or exclusions may not apply to you. This warranty gives you specific legal rights, and you may also have other rights that vary from state to state.

FOR WARRANTY ISSUES WITH THIS PRODUCT PLEASE CALL AMP RESEARCH CUSTOMER SERVICE 1-888-983-2204

WARNING

Be sure to read and precisely follow the provided instructions when installing this product. Failure to do so could place the vehicle occupants in a potentially dangerous situation. After installing or reinstalling, re-check to insure that the product is properly installed.