

# INSTALLATION INSTRUCTIONS

## CUSTOMER SERVICE

Phone: 818-365-9000 • MON - FRI 8:30 am - 6:00 pm EST

Email: [SUPPORT@BAKINDUSTRIES.COM](mailto:SUPPORT@BAKINDUSTRIES.COM)

**Any damaged or missing parts?**

Parts will be shipped to you directly.

Call 818-365-9000 Mon-Fri 8:30am-7pm EST

or email support@bakindustries.com



# IMPORTANT: READ FIRST



**TOOLS REQUIRED:**

- 10mm wrench or socket
- Drill
- 9/32" drill bit

**TOOLS RECOMMENDED:**

- Trim stick

**PARTS INCLUDED IN YOUR KIT**

- A** 1 Driver side cover rail
- B** 1 Passenger side cover rail
- C** 10 Unuts
- D** 12 M6 Bolts
- E** 2 Hole guides
- F** 2 Washers
- G** 2 Straps

### 1 U-nut installation

Insert the U-nuts (C) by prying the plastic truck bed cap away from the truck bed. The U-nuts fit underneath the plastic truck bed cap and onto the carbon side (fig. 1). Make sure that the U-nut is aligned with the bed rail hole as shown in fig. 2. Repeat for the passenger side.

**NOTE: A trim stick (not shown) is useful for prying out the plastic truck bed cap.**

Install 5 U-nuts into each of the slots, and on both sides of the truck bed.

### 2 Drill mounting holes

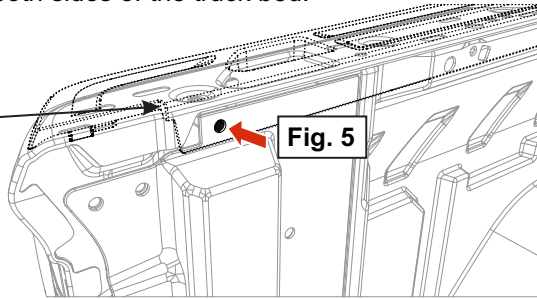
Slide the bed cap hole guide (E) onto the edge of the plastic truck bed cap and in between the cap and the bed (fig. 3). Align the guide so that its back fits into the hole of the U-nut (fig. 4). Drill a 7mm, (9/32") hole through the plastic truck bed cap using the bed cap hole guide (fig. 5). The back of the guide will prevent the drill from hitting the truck bed. Repeat this for every U-nut location on both sides of the truck bed.



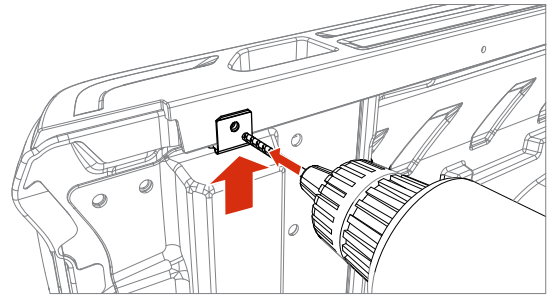
### 3 Drill mounting holes, continued

The truck bed cap sheet metal already has a threaded hole included (fig. 5). A hole must be drilled through the truck's plastic bed cap to access the threaded hole for mounting. Slide the hole drill guide (F) onto the edge of the truck's plastic bed cap and in between the cap and the bed. Align the hole drill guide so that the back of the hole guide aligns with the threaded hole. Drill a 7mm, (9/32") hole through the truck plastic bed cap using the hole drill guide. Repeat this on both sides of the truck bed.

The plastic truck bed cap is shown as a dotted line so that the placement of the threaded hole underneath can be shown.



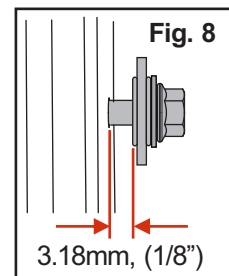
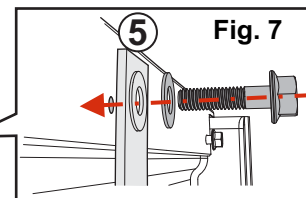
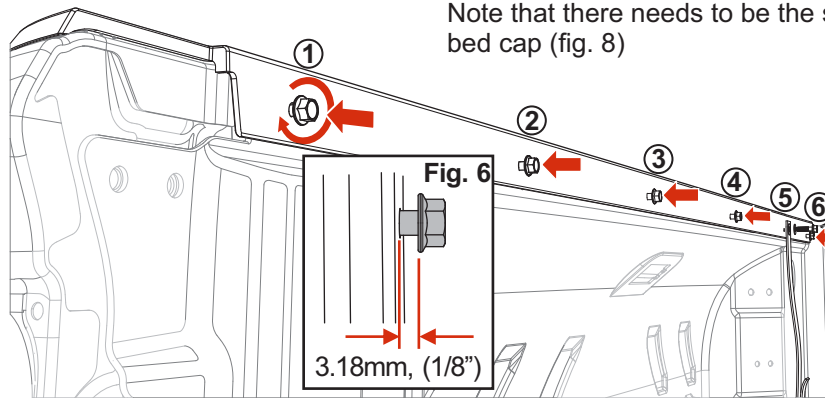
Tail end, driver side



Tail end, driver side

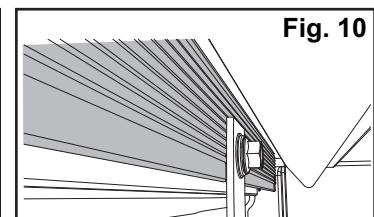
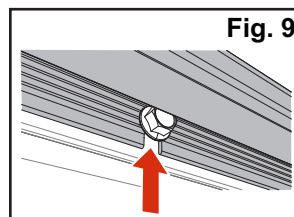
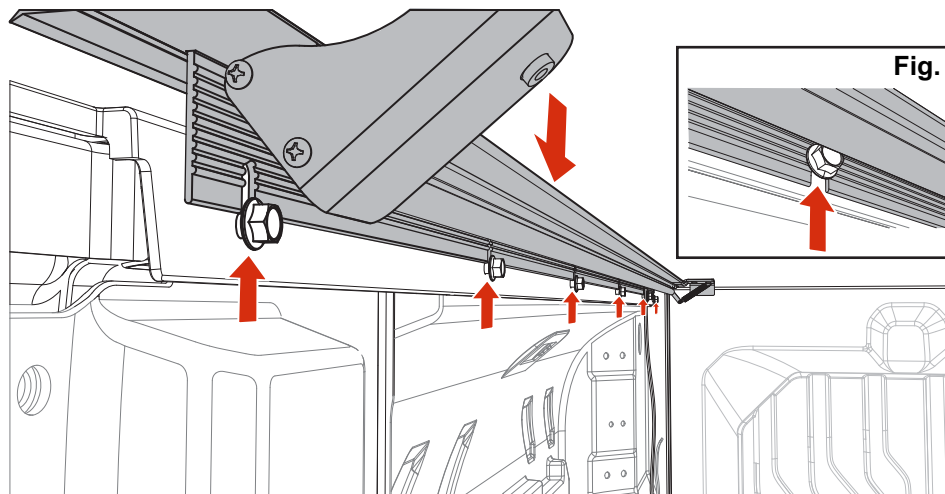
### 4 Install the bolts and straps

Thread the M6 bolts (D) through the drilled holes and into the threaded hole (1), and the U-nuts (2,3,4,6) until they are spaced approximately 3.18mm (1/8") from the bed cap (fig. 6). The threaded hole and U-nut (5) will have the strap and washer installed with the bolt. Thread the M6 bolt through the washer, through the strap and into hole number 5 (fig. 7). Note that there needs to be the same spacing 3.18mm (1/8") between the strap and the bed cap (fig. 8)



### 5 Place the cover rail

Place the driver side cover rail (A) by aligning the slots onto each of the bolts (fig. 9). Note that the cover rail is positioned between the truck bed cap and the strap (fig. 10). Push the cover rail down where it sits tightly on top of the truck bed cap. Push down on the cover rail and tighten the bolts with the 10mm open end wrench. Repeat the steps for the passenger side cover rail (B).



**Return to the standard install instructions at step 6.**