

**2019+ Hyundai Elantra GT N-Line/I30 N Mud Flap Installation Instructions**

View instructions and photos online [www.rallyarmor.com](http://www.rallyarmor.com) WILL NOT FIT STANDARD ELANTRA

**CARE AFTER INSTALLATION** Once installed, the vehicle owner is responsible for the condition of the mud flaps and all costs associated with replacing damaged or lost parts. Warranty covers manufacturer defect on new, never installed parts.

⚠ Watch for blind spots when parking ⚠ Avoid contact with curbs, bumps and objects that can compress the flaps with excessive force. Be sure to check wheel clearances, especially on vehicles equipped with aftermarket wheels and suspensions.

QUESTION ON INSTALLATION? CONTACT US ONLINE [www.rallyarmor.com/support](http://www.rallyarmor.com/support)

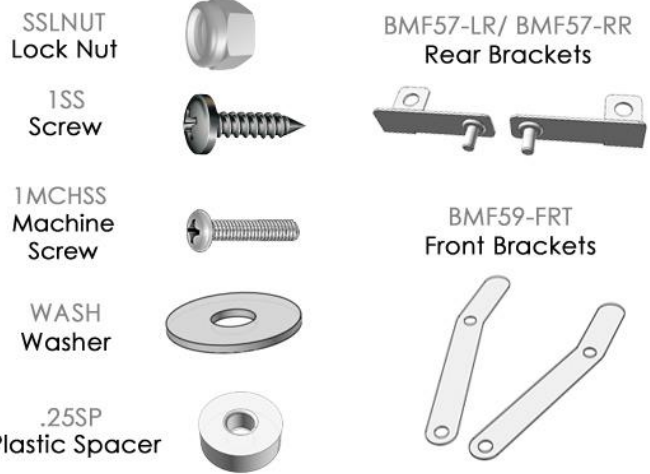
NEED TO PURCHASE REPLACEMENT PARTS? SEND RECEIPT OR PHOTO OF RALLY ARMOR LOGO ON FLAPS TO US [www.rallyarmor.com/support](http://www.rallyarmor.com/support)

**IMPORTANT NOTES**

**INSTALLATION KIT CONTENTS**



QUANTITY	PART	ITEM ID
4	LOCK NUT	SSLNUT
4	SCREW	1SS
8	WASHER	WASH
2	MACHINE SCREW	1MCHSS
6	PLASTIC SPACER	.25SP
2	FRONT MOUNTING BRACKET	BMF59-FRT
1	MOUNTING BRACKET LEFT REAR	BMF57-LR
1	MOUNTING BRACKET RIGHT REAR	BMF57-RR



**Recommended Tools** offset or ratcheting screw driver, 7/16<sup>th</sup> Wrench.

**Important Tips** Installation should be done on an even surface. Do not use power tools to tighten hardware. Hand tools only. Avoid overtightening

**RALLY ARMOR - A BIT ABOUT OUR STANDARD IN MUD FLAPS**

Rally Armor mud flaps are fabricated from a high grade polyurethane plastic that is rigorously reviewed for quality and consistency. As with all manufacturing processes, controlled conditions and multiple QC checkpoints minimize major irregularities, however certain very minor surface layer marks appear periodically. These are visual variations that do not affect construction nor do they impede the performance of the flaps. Most matte away as the material ages naturally with continued exposure to the outdoors. Each flap is unique in appearance yet all are equally structurally sound.

## 2019+ Hyundai Elantra GT N-Line/I30 N Mud Flap Installation Instructions

### FRONT MUD FLAP

**Hardware & Bracket 1 x Front Flap → 1 x BMF59-FRT; OEM Fasteners; 1 x WASH; 1 x .25SP**

Turn the steering wheel towards the side you are working on to gain access to the inner wheel well area.

**FIGURE A** Remove and retain the 3 existing fender liner fasteners 1, 2 & 3 for reinstallation later. Clean wheel well area.

**FIGURE B** Place mud flap logo-side facing the rear of the vehicle against corresponding mounting points of FRONT MOUNTING BRACKET BMF59-FRT and fender. Reinstall original OEM screws through BRACKET for mounting points 1 & 2. For mount 3, place PLASTIC SPACER .25SP behind the mud flap, against fender liner. Fasten with original OEM screw & WASHER tightening until flush. Do not overtighten.

**FIGURE C** View the rear of the vehicle to ensure the flaps are aligned. Make slight adjustments before tightening all mounting screws.

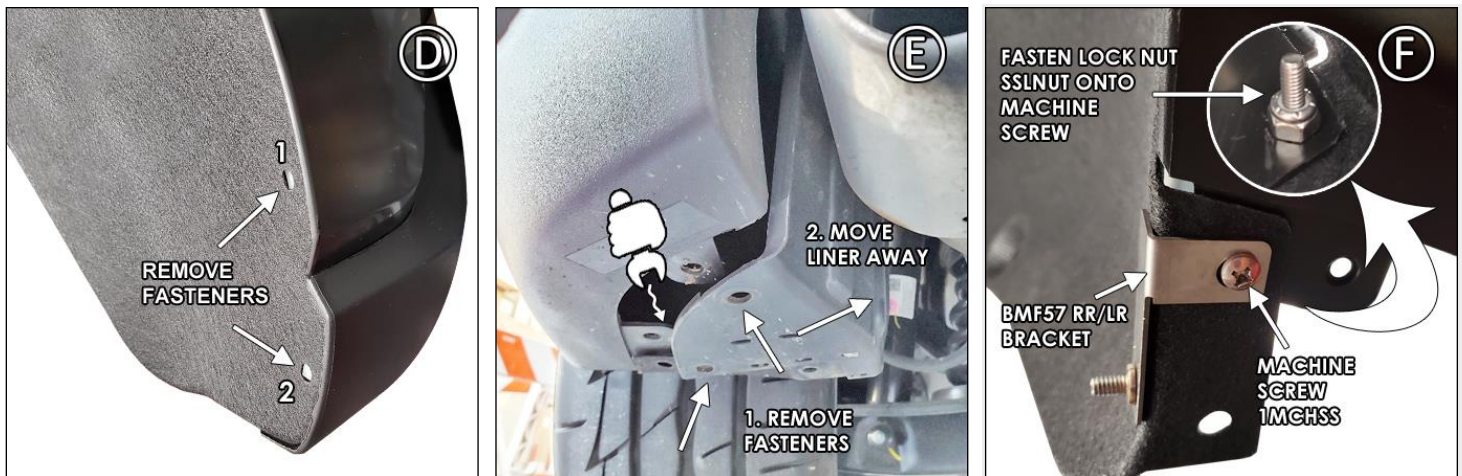


### REAR MUD FLAP

**Hardware & Bracket for 1 x Rear Flap → 1 x BMF57-LR/RR; 2 x SSLNUT; 1 x 1MCHSS; 2 x 1SS; 2 x .25SP; 3 x WASH**

**FIGURES D/E** Remove wheel liner fasteners 1 & 2 then move liner away.

**FIGURE F** Install REAR BRACKET BMF57-LR/RR using LOCK NUT SSLNUT, WASH WASHER and MACHINE SCREW 1MCHSS as shown.



**FIGURE G** Reinstall lower wheel well liner with original OEM fasteners.

**FIGURE H** Install SCREW 1SS using WASHER WASH into mud flap through a PLASTIC SPACER .25SP. Secure interior section of mounting point 3 with a LOCK NUT and WASHER. Tighten only until mud flap is level with bumper. Do not overtighten.

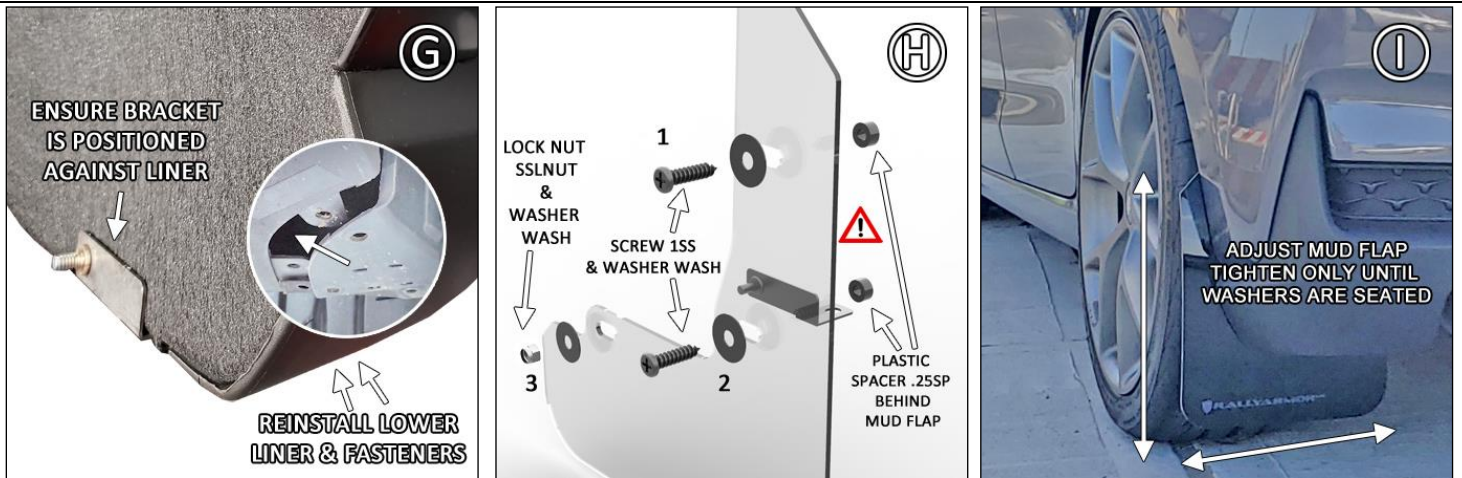
**FIGURE I** Align outer edge of the flap by adjusting until the flap is perpendicular to even ground. Hand tighten until washers are seated.



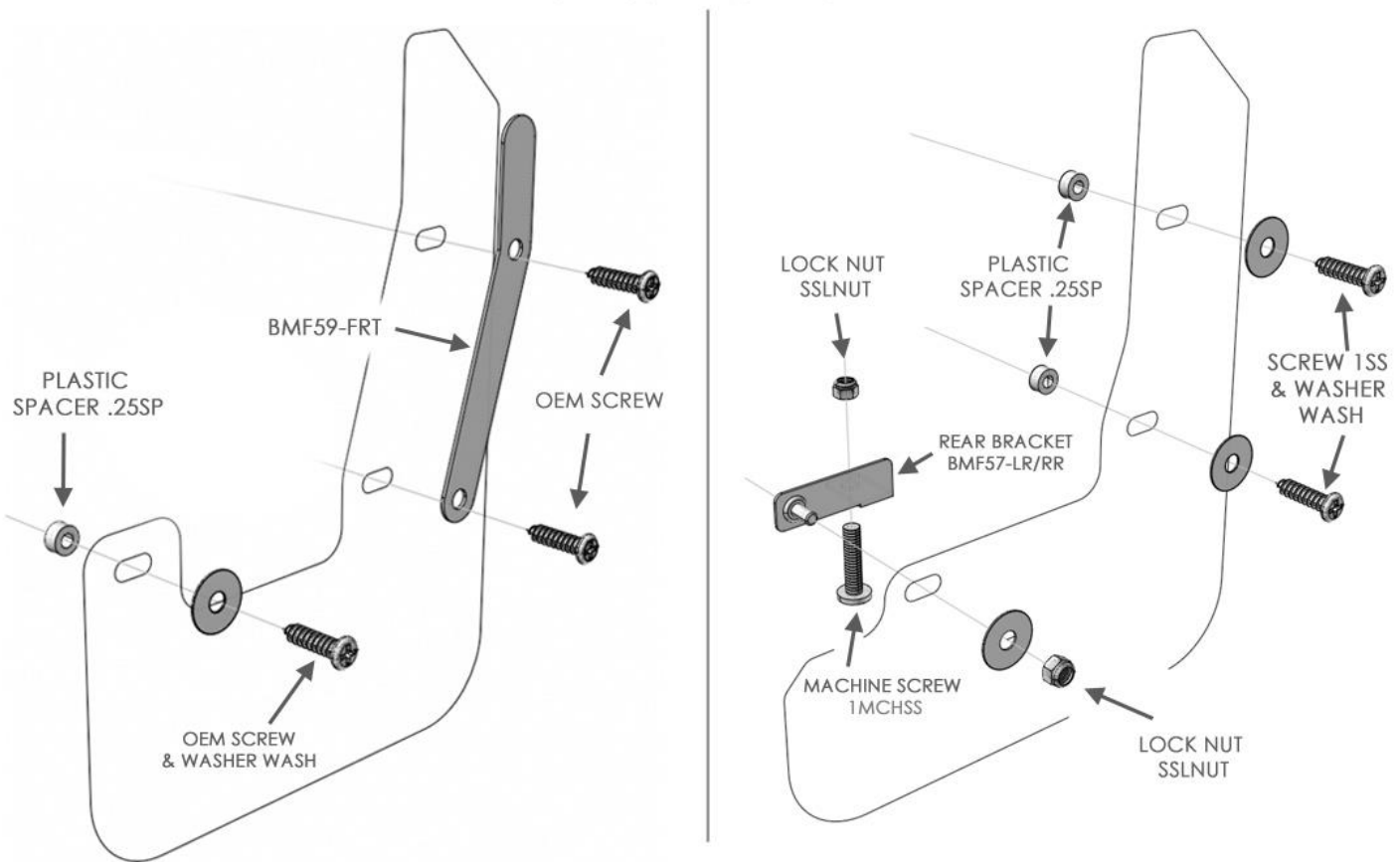
# IMF59



## 2019+ Hyundai Elantra GT N-Line/I30 N Mud Flap Installation Instructions



### FRONT RALLYARMOR MF59 MOUNTING DIAGRAM REAR



Content and images are copyright of Rally Armor® LLC