



2012+ TOYOTA 4RUNNER MUD FLAP INSTALLATION INSTRUCTIONS

For high resolution color images of these instructions, please visit <http://www.rallyarmor.com>

Check wheel clearance after installation, especially vehicles outfitted with non-OEM wheels and suspensions.

To protect your Rally Armor mud flap set, care must be taken during parking and reversing.

Rally Armor is not responsible for damage or loss of installed flaps. Kit requires existing OEM splash guard mounting hardware.

IMPORTANT NOTES:



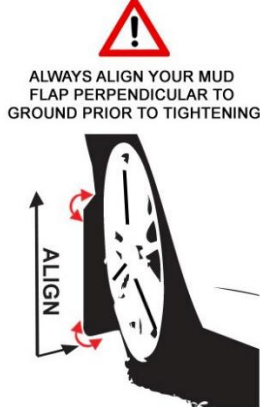
ALWAYS TEST COMPATIBILITY WITH YOUR SPECIFIC WHEEL, TIRE AND SUSPENSION COMBINATION



ALWAYS USE CAUTION DURING PARKING/REVERSAL SCENARIOS



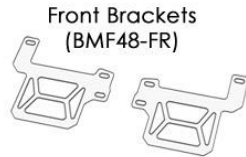
CLEANING INSTRUCTIONS: USE WATER AND SOFT CLOTH TO CLEAN FLAPS. AVOID SOLVENT BASED CLEANERS



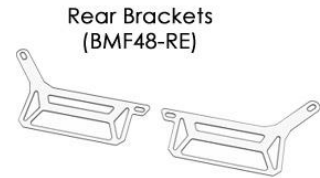
ALWAYS ALIGN YOUR MUD FLAP PERPENDICULAR TO GROUND PRIOR TO TIGHTENING

YOUR MOUNTING HARDWARE CONSISTS OF

Quantity	Hardware Item	Item ID
2	Front brackets	BMF48-FR
2	Rear Brackets	BMF48-RE
20	Washers	SmWash
9	Polygon Clips	PolClip
1	"Short" Stainless Steel Screws	1SS
4	"Medium" Stainless Steel Screws	1.5SS
1	"Long" Stainless Steel Screws	3SS
2	"Large" Plastic Spacers	1SP
3	"Medium" Plastic Spacer	.5SP
1	"Short" Plastic Spacer	.25SP
2	Long Foam Spacer	SMF29-2

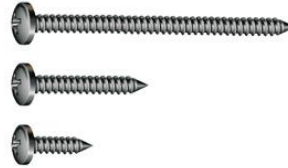


Front Brackets (BMF48-FR)



Rear Brackets (BMF48-RE)

- "Long" Screw (3SS)
- "Medium" Screw (1.5SS)
- "Short" Screw (1SS)



- Large Spacer (1SP)
- Medium Spacer (.5SP)
- Small Spacer (1SP)



Recommended tools: Offset, ratcheting or stubby Phillips screwdriver, small flat head screwdriver.

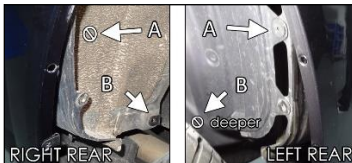
Cautionary Tip: The hardware is strong and self-threading but over-tightening the clips is not advised. Tighten only until hardware is seated against the mud flap.

Installation Tip: To ease installation and avoid damage to existing OEM clips during removal, a well-lit, climate controlled installation environment is recommended.

Parking and Reversing: Any extended mud flap application can be damaged or dislodged should they get caught in between a tire and a curb or object. To protect your Rally Armor mud flap set, care must be taken during parking and reversing. Rally Armor is not responsible for damage or loss of installed flaps.

To the installer: Please return these instructions to the customer after installation. Always test and adjust wheel clearance before returning vehicle

To the customer: Retain these instructions after installation. They may be necessary for installing other optional parts or removal of this accessory.



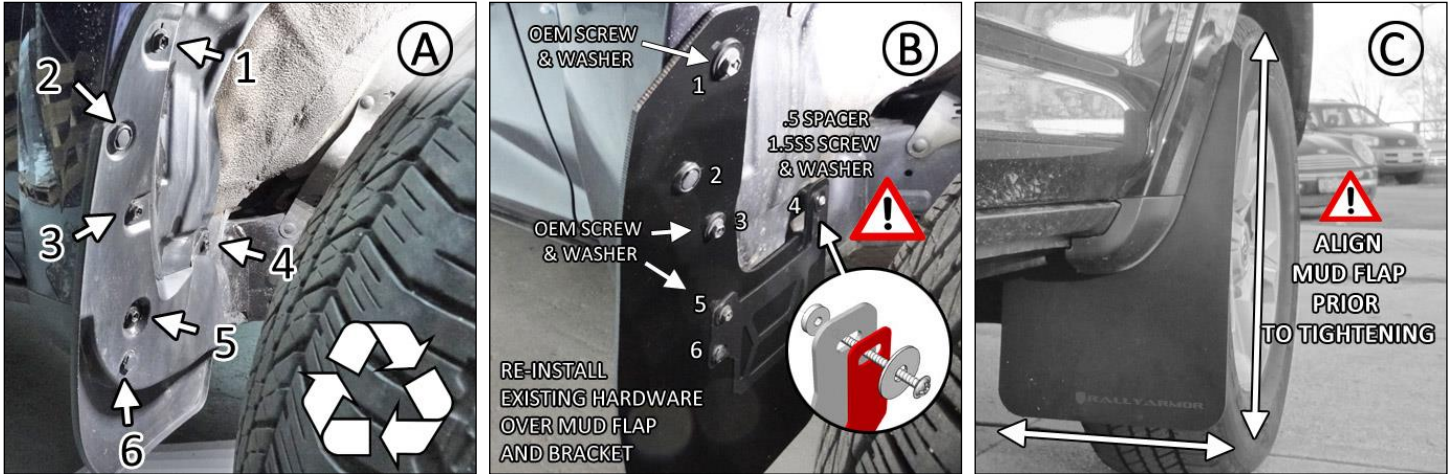
PLEASE NOTE

- There are slight differences between the right rear and left rear installation noted in the installation instructions.
- There is a left rear mud flap mounting point not present in the same location on the right side of the vehicle.
- There is a right rear mud flap mounting point found at a deeper location than the left side of the vehicle.
- The last pages of these installation instructions include expanded diagrams on the mounting hardware differences.

Front Mud Flap Installation

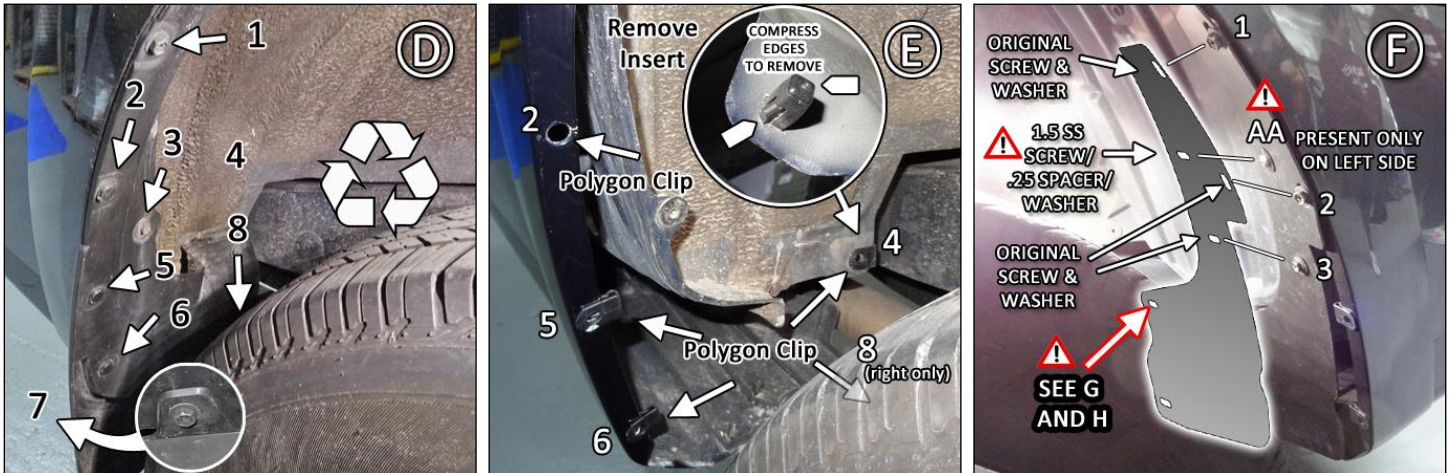
Begin by parking the vehicle on an even surface. Turn the steering wheel towards the side you are working on to allow access to the inner wheel well area. Remove OEM splash guards.

- **(Figure A)** Remove the front fender liner retainers as shown. Retain fasteners as they will be re-used.
- **(Figure B)** Place the mud flap with the logo facing the rear of the vehicle, against the corresponding mounting points on the fender. Place front bracket against mounting points 4, 5, 6 as shown. Re-Install existing hardware except for mounting point #4. Mounting points 1,3,5 utilize the OEM Screw and provided washer (SmWash). Mounting Points 2 and 6 utilize existing plastic fasteners. Mounting point #4 utilizes "Medium" spacer (.5SP), "Medium" Screw (1.5SS), and washer (SmWash).
- **(Figure C)** Align outer edge of the flap by incrementally adjusting the angle of the flap and walking away from the vehicle until the flap is perpendicular to even ground. **Tighten hardware only until seated against mud flap. Do not over tighten.**



Rear Mud Flap Installation

- **(Figure D)** Remove the rear splash guard retainers (1-8) as shown. Retain fasteners as they will be re-used.
- **(Figure E)** Remove inner factory insert (#4) by compressing edges of fastener to release. Install a Polygon clip (POLCLP) over mounting points 2,4,5,6. **Right Side Only**- Remove factory insert (#8). Install Poly Clip (POLCLP) over mounting point #8.
- **(Figure F)** Place upper mud flap liner against mounting points. **THE LEFT SIDE HAS AN ADDITIONAL MOUNTING POINT (AA) NOT FOUND ON THE RIGHT.** Install factory screw & washer (SmWash) over mounting points 1, 2, and 3 through upper mud flap liner. **Left side only** ,Install 1.5SS screw washer, and (small) .25 spacer for mounting point (AA).

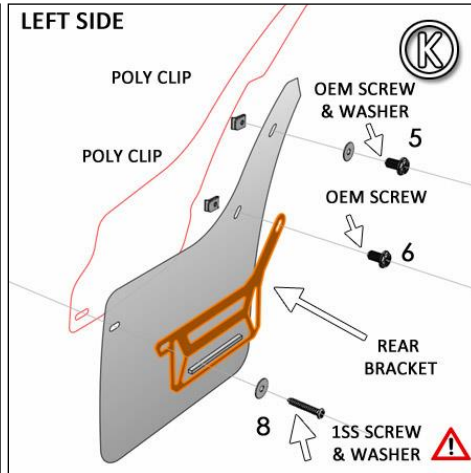
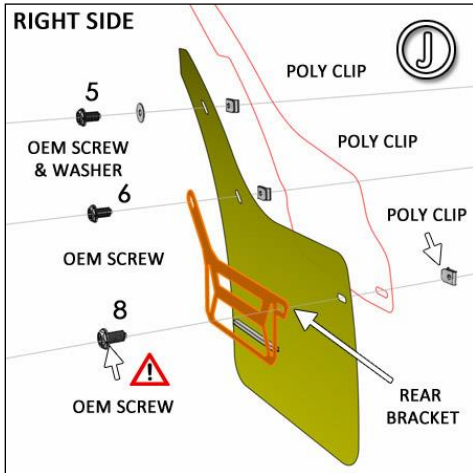


IMF 48

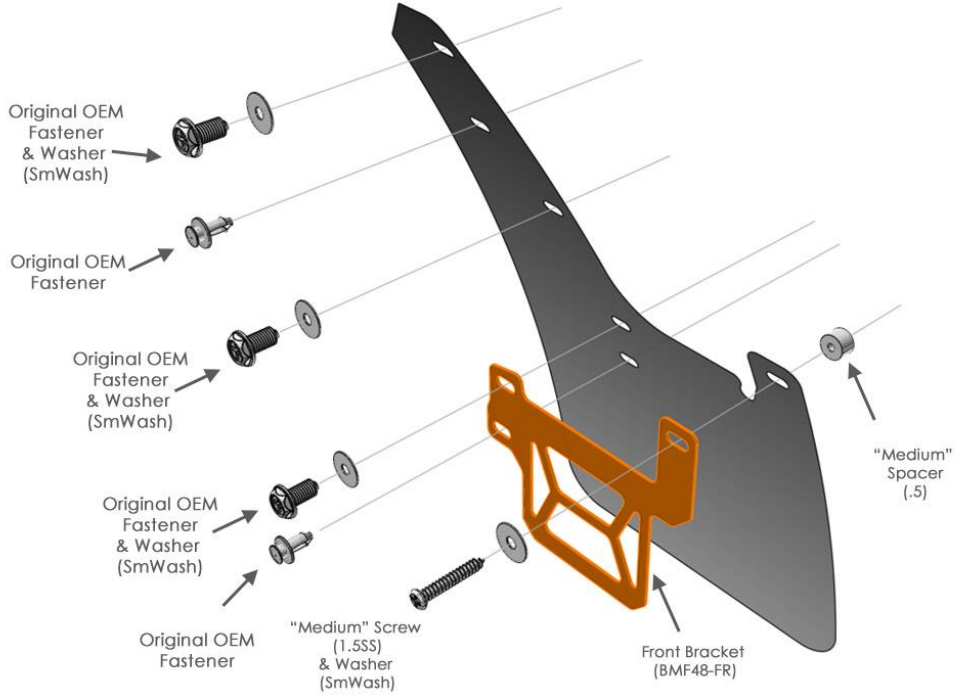
- **(Figure G) Left Side ONLY** Install 2 “Large” Spacers (1SP), “Long” Screw (3SS) & Washer (SmWash) through the #4 mounting point on the mud flap liner.
- **(Figure H) Right Side ONLY** Install 1 “Medium” Spacer (.5SP), “Medium” Screw (1.5SS) & Washer (SmWash) through the #4 mounting point on the mud flap liner.
- **(Figure I)** Adhere a long foam spacer (SMF29-2) on the lower edge of the bracket where it meets the mud flap.



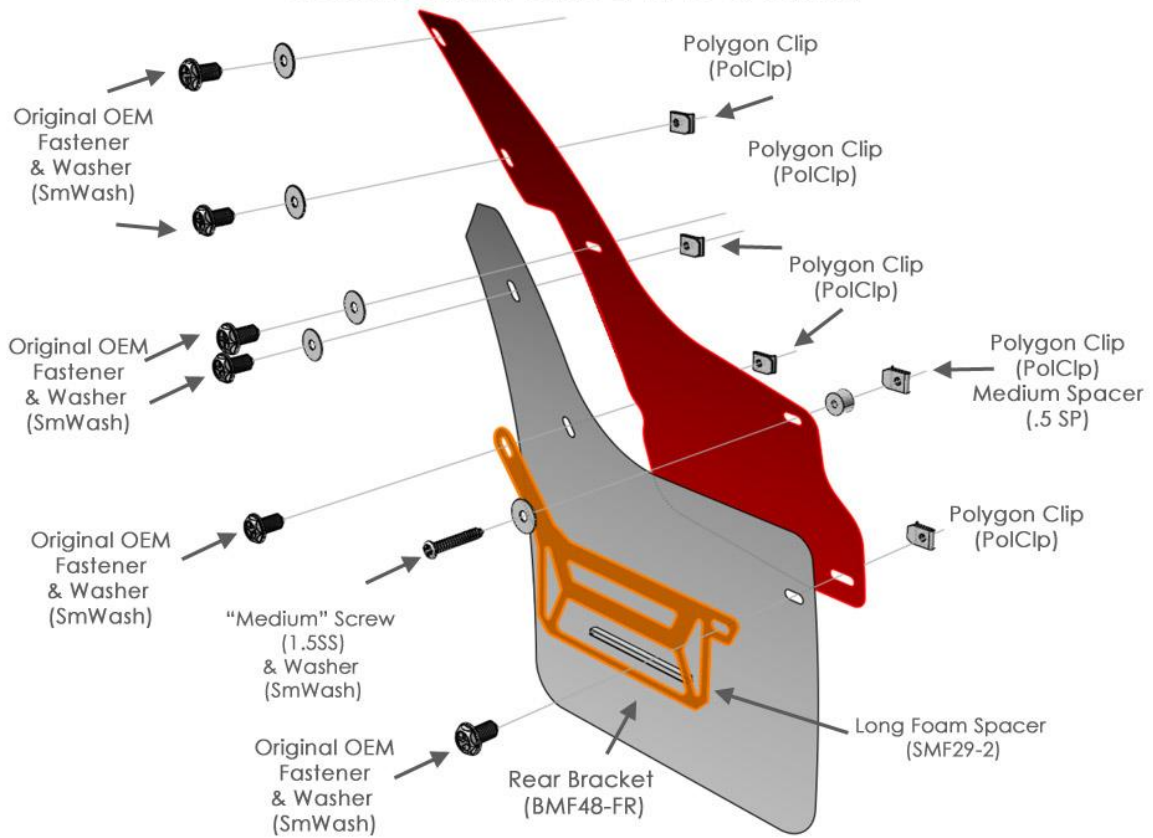
- **(Figure J). Right Side Only** Place the mud flap with the logo facing the rear of the vehicle, against the corresponding mounting points on the bumper, the mud flap shares only a single point with the liner. Place the rear bracket against mounting points #6 and #8 as shown. Mounting point #5 utilizes the OEM Screw and provided washer (SmWash). - Mounting points 6 & 8 utilizes the OEM Screw and provided washer (SmWash).
- **(Figure K) Left Side Only-** Application is mount as in Figure J except mounting point 8 utilizes the Short (1SS) Screw and provided washer (SmWash).
- **(Figure L)** Align outer edge of the flap by incrementally adjusting the angle of the flap and walking away from the vehicle until the flap is perpendicular to even ground. Tighten hardware only until seated against mud flap. **Do not over tighten.**



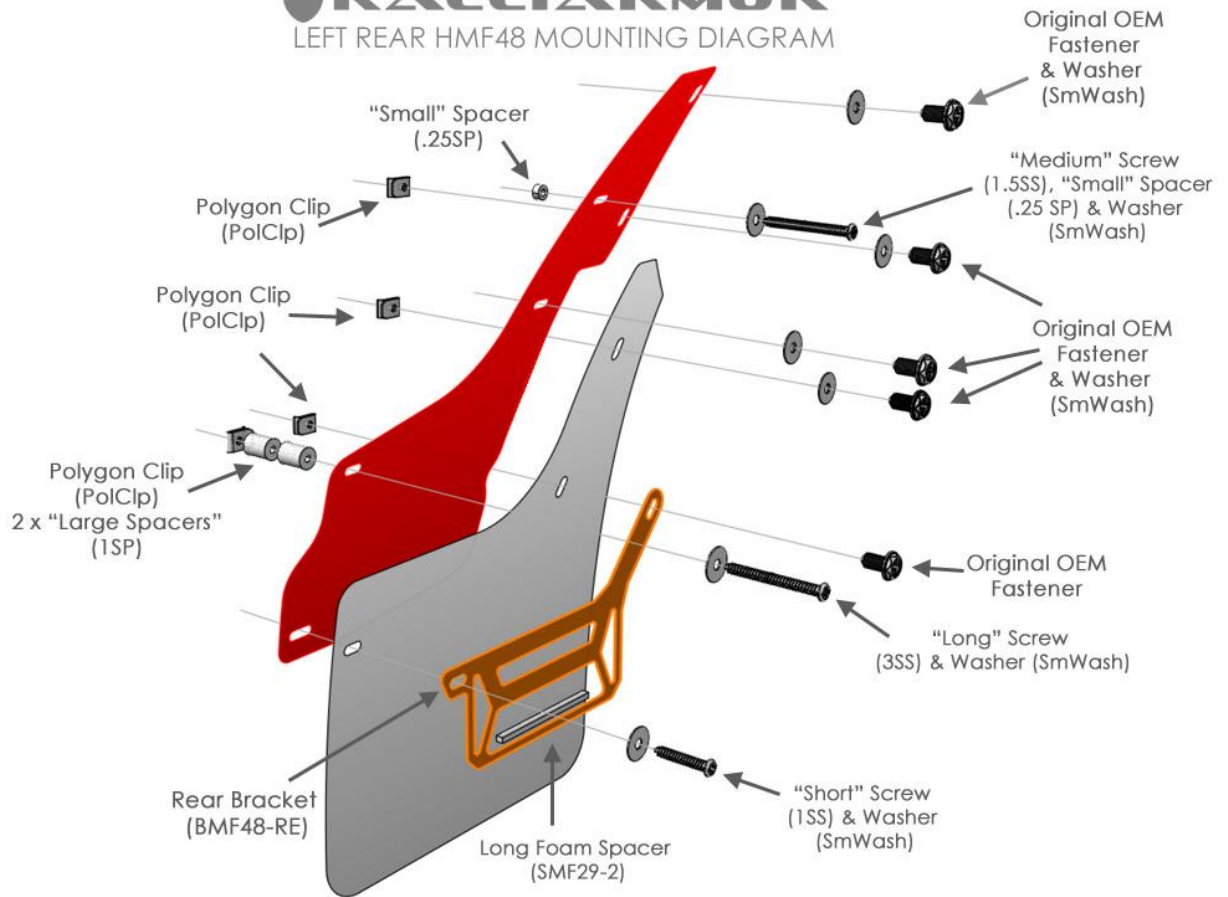
RALLYARMOR®
FRONT HMF48 MOUNTING DIAGRAM



RALLYARMOR®
RIGHT REAR HMF48 MOUNTING DIAGRAM



RALLYARMOR®
LEFT REAR HMF48 MOUNTING DIAGRAM



Content and images are copyright of Rally Armor® LLC