



These instructions can be found in color and expandable at QA1.net

Technical Support Line: (952) 985-5675 Email: sales@QA1.net

INSTALLATION INSTRUCTIONS

QA1 P/N 52835

'82-'02 F-Body Rear Sway Bar

TOOLS AND SUPPLIES REQUIRED

- Floor Jack
- Jack Stands
- Ratchet & SAE Socket Set
- SAE Wrench Set
- Grease Gun

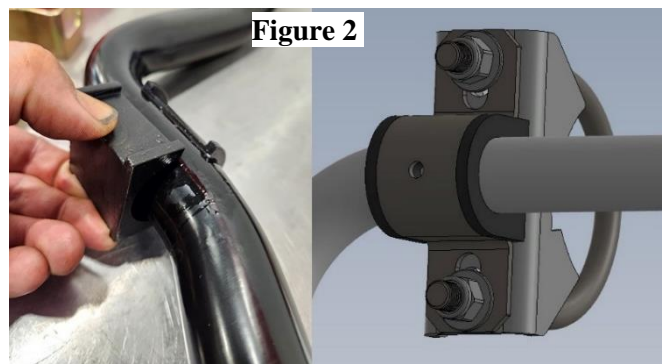
INSTALLATION:

1. Raise the vehicle and support it with jack stands on a stable surface.
2. Examine how the OEM sway bar is installed. **(Figure 1)** The arrangement and orientation of the hardware will be critical for proper operation. Location and support of the parking brake cables should also be noted.

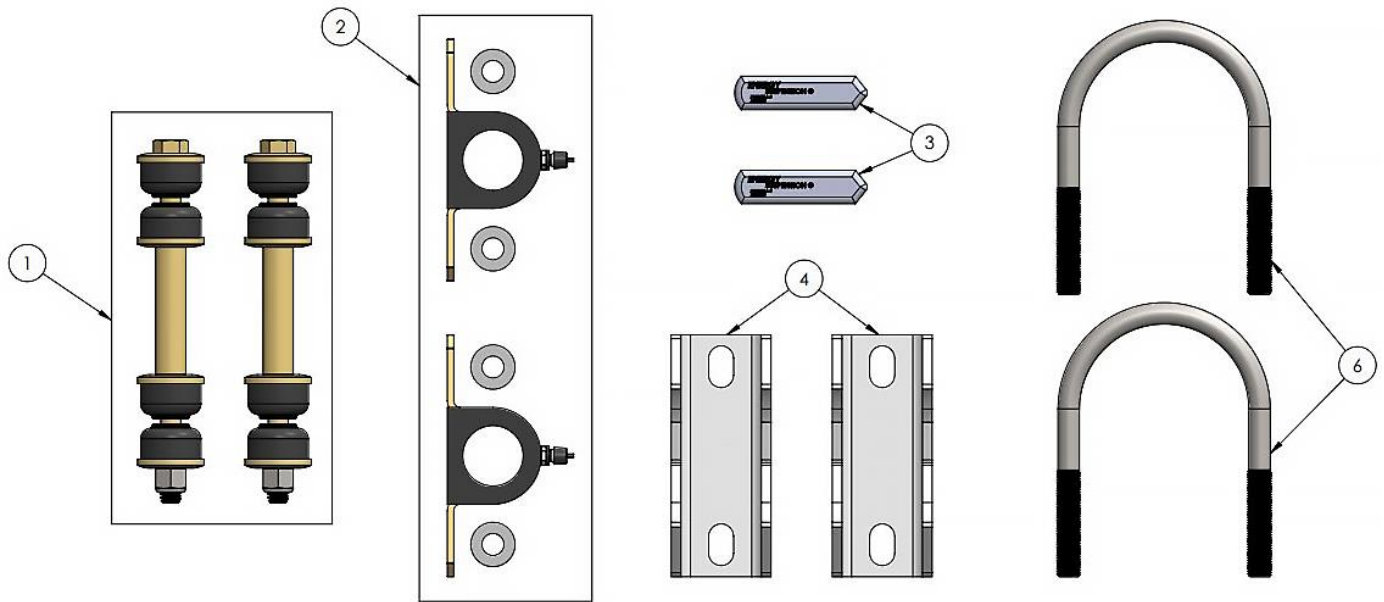


3. Remove the factory end links while noting the direction the bolts were installed. Unbolt and remove the stock sway bar.
4. Use the supplied grease to lubricate the inside of the bushings where they will contact the sway bar. Install the bushings on the QA1 sway bar, followed by the sway bar brackets. Note the bushings have a split to ease installation. **(Figure 2)**

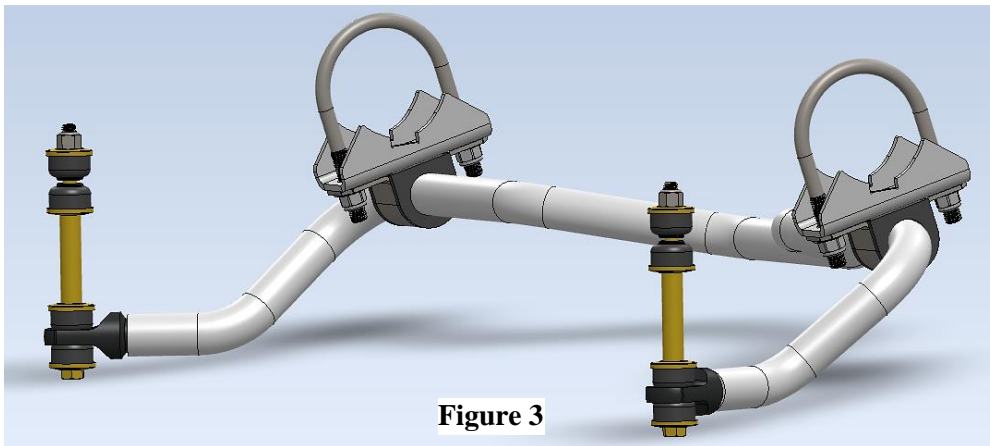
5. Place the supplied U-bolts in roughly the same spot where the OEM U-bolts were located. OE axle housings and some aftermarket housings have a locating feature to align with the slot in the axle bracket which will shift or bias the bar towards the rear of the car to increase clearance at the sway bar end links. Install the QA1 sway bar on the rear axle using the axle housing brackets and related hardware in the same manner that the stock components were arranged. Leave the nuts loose at this time to allow adjusting the bar to the rear end.



BALLOON #	ITEM #	DESCRIPTION	QTY.
1	1681-113	END LINK KIT, SWAY BAR, 2.375" SLEEVE	1
2	9032-422	BUSHING, SWAY BAR FRAME MOUNT 1-1/8"	1
3	9071-109	TUBE, TEFLON LUBE (POLY BUSHING LUBE)	2
4	9039-416	BRACKET, REAR SWAY BAR MOUNT	2
5	7039-388	HARDWARE KIT, REAR SWAY BAR	1
6	9012-204	U-BOLT, 7/16-20 X 3.125" X 4.5"	2



6. Install the supplied end-link kit in the same order and direction as the OEM end-links and torque them to 15 lb. ft. (Figure 3)



7. Ensure the sway bar is centered on the rear axle at ride height and torque the U-bolts and nuts to 40 lb. ft.
8. Check for any contact with brake lines, electrical wiring, fuel hoses, shocks, or cables. Adjust the sway bar as needed.
9. Use caution on the first test drive until you are accustomed to the vehicle's new response to steering inputs.

QTY/KIT	DESCRIPTION	2ND DESCRIPTION	QA1 ITEM#	WHERE USED ON VEHICLE
4	NUT, NYLOCK, 7/16-20	GRADE 5, CLEAR ZINC	NA	SWAY BAR U-BOLT
4	WASHER, FLAT, 7/16" SAE, STEEL	.469" ID X .922" OD X .065", CLEAR ZINC	9005-243	
4	BOLT, HEX, 3/8-16 X 1.0"	GRADE 5, CLEAR ZINC	9012-229	SWAY BAR TO REAR END
4	NUT, NYLOCK, 3/8-16	GRADE 5, CLEAR ZINC	NA	
4	WASHER, FLAT, 3/8" SAE, STEEL	.406" ID X .812" OD X .065", CLEAR ZINC	9005-256	



Technical Support Line: (952) 985-5675 Email: sales@QA1.net

READ ALL INSTRUCTIONS CAREFULLY AND THOROUGHLY PRIOR TO STARTING INSTALLATION. PRODUCTS THAT HAVE BEEN INSTALLED ARE NOT ELIGIBLE FOR RETURN. USE THE PROPER JACKING LOCATIONS. DEATH OR SERIOUS INJURY CAN RESULT IF INSTRUCTIONS ARE NOT CORRECTLY FOLLOWED. A GOOD CHASSIS MANUAL, AVAILABLE AT YOUR LOCAL PARTS STORE, MAY ALSO AID IN YOUR INSTALLATION.

• DISCLAIMER / WARRANTY •

QA1 WARRANTS THAT THE PRODUCTS WILL BE FREE FROM DEFECTS IN MATERIAL AND WORKMANSHIP FOR ONE YEAR FROM DATE OF SALE TO THE ORIGINAL PURCHASER. QA1 MAKES NO OTHER WARRANTY OF ANY KIND, EXPRESS OR IMPLIED. QA1 SHALL HAVE NO OBLIGATION UNDER THE FOREGOING WARRANTY WHERE THE DEFECT IS THE RESULT OF IMPROPER OR ABNORMAL USE, YOUR NEGLIGENCE, VEHICLE ACCIDENT, IMPROPER OR INCORRECT INSTALLATION OR MAINTENANCE, NOR WHEN THE PRODUCT HAS BEEN REPAIRED OR ALTERED IN ANY WAY. QA1'S LIABILITY IN THE CASE OF DEFECTIVE PRODUCTS SUBJECT TO THE FOREGOING WARRANTY SHALL BE LIMITED TO THE REPAIR OR REPLACEMENT, AT QA1'S OPTION, OF THE DEFECTIVE PRODUCTS.

THE USER UNDERSTANDS AND RECOGNIZES THAT RACING PARTS, SPECIALIZED STREET ROD EQUIPMENT, AND ALL PARTS AND SERVICES SOLD BY QA1 ARE EXPOSED TO MANY AND VARIED CONDITIONS DUE TO THE MANNER IN WHICH THEY ARE INSTALLED AND USED. QA1 SHALL BEAR NO LIABILITY FOR ANY LOSS, DAMAGE OR INJURY, EITHER TO A PERSON OR TO PROPERTY, RESULTING FROM THE INSTALLATION, DIRECT OR INDIRECT USE OF ANY QA1 PRODUCTS OR INABILITY BY THE BUYER TO DETERMINE PROPER USE OR APPLICATION OF QA1 PRODUCTS. WITH THE EXCEPTION OF THE LIMITED LIABILITY WARRANTY SET FORTH ABOVE, QA1 SHALL NOT BE LIABLE FOR ANY CLAIMS, DEMANDS, INJURIES, DAMAGES, ACTIONS, OR CAUSES OF ACTION WHATSOEVER TO BUYER ARISING OUT OF OR CONNECTED WITH THE USE OF ANY QA1 PRODUCTS. MOTORSPORTS ARE DANGEROUS; AS SUCH, NO WARRANTY OR REPRESENTATION IS MADE AS TO THE PRODUCT'S ABILITY TO PROTECT THE USER FROM INJURY OR DEATH. THE USER ASSUMES THAT RISK!

DEDICATED TECH SUPPORT

QA1 is dedicated to providing quality support and instructions. We employ passionate racers and car enthusiasts that know our products and the industry to better serve you.

CHECK US OUT ON YOUTUBE!



- Frequently Asked Questions
- Quick Tips
- Install Information
- Tuning and Repair Guides
- Other Technical Information



- [linkedin.com/company/qa1](https://www.linkedin.com/company/qa1)
- [instagram.com/qa1motorsports](https://www.instagram.com/qa1motorsports)
- [facebook.com/qa1motorsports](https://www.facebook.com/qa1motorsports)

[youtube.com/qa1tech](https://www.youtube.com/qa1tech)

www.qa1.net/tech